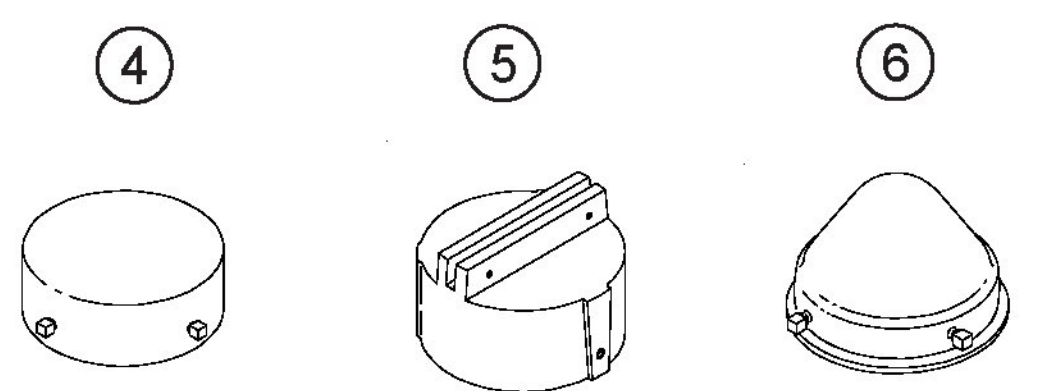
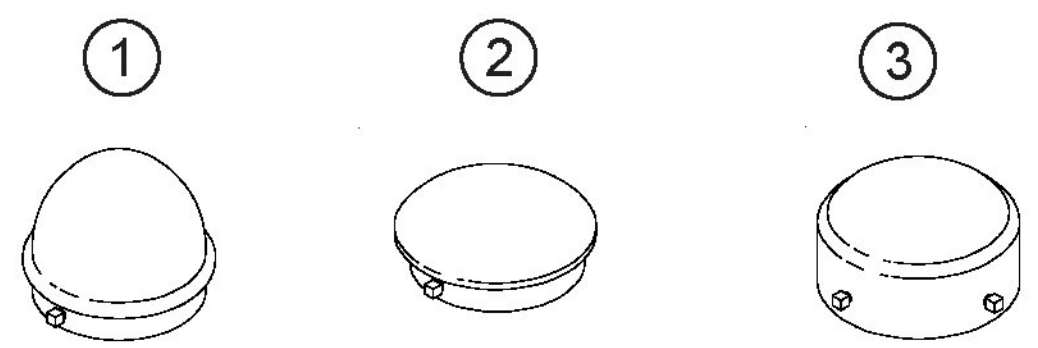


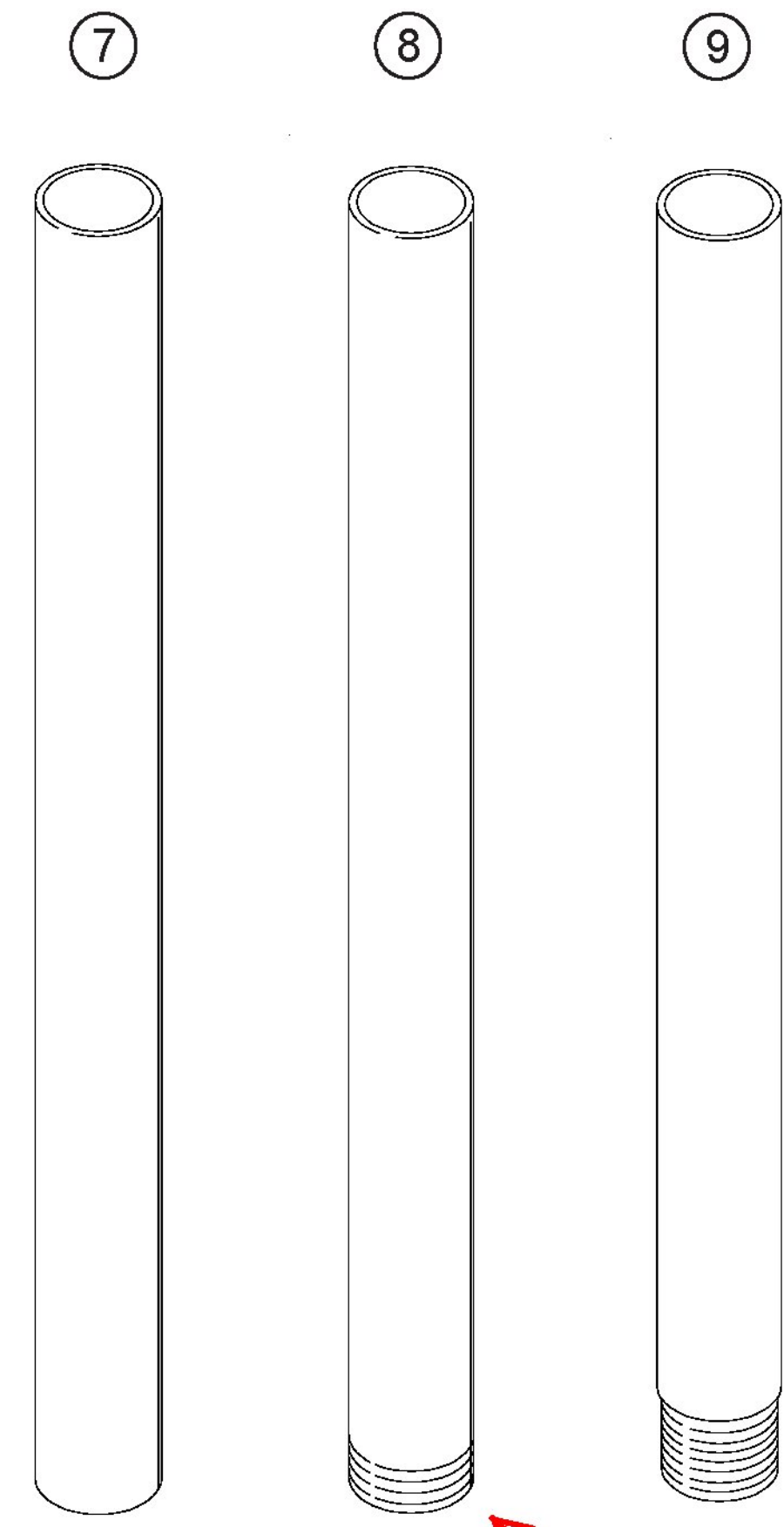


POLES AND BASES

Pedestal Poles & Caps



ITEM 1-5 OPTIONS
PAINT



ITEM 7-9 OPTIONS
LENGTH 7' & 9'
PAINT P34 Flat Black

ITEM	DESCRIPTION	WEIGHT	PART NO.	
①	POLE CAP, Acorn Type, Alum:			
	For 3" O.D. Pole		PB-5403	
	For 3½" O.D. Pole		PB-5407	
②	POLE CAP, Dome Type, Alum:			
	For 4½" O.D. Pole	1.4 lbs.	PB-5401	
③	POLE / ARM CAP, Alum:			
	For 2-5/16" to 3½" O.D. Pole		AP-0101	
	For 3" to 4" O.D. Pole		AP-0102	
	For 4-3/16" to 5-3/16" O.D. Pole		AP-0103	
	For 5-3/16" to 6-3/16" O.D. Pole		AP-0104	
	For 6-1/8" to 7-1/8" O.D. Pole		AP-0105	
	For 7-3/16" to 8¼" O.D. Pole		AP-0106	
	For 8-3/16" to 9-3/16" O.D. Pole		AP-0107	
	For 9-7/16" to 10-7/16" O.D. Pole		AP-0108	
	④	POLE / ARM CAP, Alum:		
For 10-11/16" to 11-11/16" O.D. Pole			AP-0109	
⑤	POST TOP CAP, 4", Alum:			
	For Extruded Sign Blade		SH-1608	
⑥	POLE CAP, ABS Plastic:			
	For up to 4" O.D. Pole		AP-0805	
⑦	POLE, Spun Alum:			
	No Threads, Sch 40, 4½" O.D. x .237" Wall	3.8 lbs.	PB-5101	
	⑧	POLE, Spun Alum:		
		TOE, Sch 40, 4½" OD x .237" Wall	3.8 lb/ft	PB-5100
	TOE, Sch 80, 4½" OD x .438" Wall	5.2 lb/ft	PB-5102	
	⑨	POLE, Steel		
		TOE, Sch 40, 4½" OD x .237" Wall, Steel	11.5 lb/ft	PB-5201
		TOE, Sch 40, 4½" OD x .237" Wall, Galv	11.5 lb/ft	PB-5200
	⑨	WELDED PEDESTAL POLE		
		Steel Tube, 4½" x .125" Wall	5.9 lb/ft	PB-5204

- Notes:**
1. All assemblies are supplied standard with stainless fasteners.
 3. Please specify options when ordering.