



# KOR-N-SEAL® II FLEXIBLE CONNECTOR

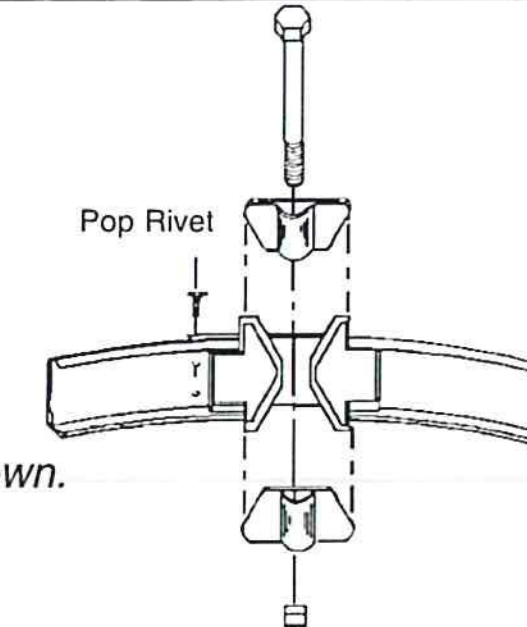
## Recommended Installation Procedure

### KORBAND INSTALLATION:

1. Assemble Korbands as shown at right.
2. Install Korbands into Connector by first fitting Wedge Expander into center of cutout provided, then installing remainder of Korbands. Make sure that head of bolt on Wedge Expander is located to the outside of Connector/inside of manhole.
3. Using pipe lubricant, lightly lube at least three to four sections of Korbands by bending back rubber one section at a time. *Do not lube wedge area.*
4. Check to be sure Korbands are properly located in Connector groove.

1. Assemble Korbands.
2. Pop rivet together as shown.
3. Assemble Wedges.

*Important: In order to ensure a good seal, assemble exactly as shown.*



### CONNECTOR INSTALLATION:

1. Insert Kor-N-Seal® II Assembly into hole properly positioning 1, 2, 3, or 4 Wedge Expander(s) (Fig. 1).
2. Position assembly so that it is flush with the inner wall of the manhole at top and bottom of hole (Fig. 2) and/or assuring full contact of the Korbands.
3. Tighten Wedge Expander(s) equally with 3/4" socket torque wrench to required foot pounds (Fig. 3).
4. After 15 minutes recheck torque and retighten if necessary.
5. Place plastic cap over end of bolt. (Fig. 4).
6. Re-torque Wedge Expander(s) to required foot pounds prior to shipment. (Fig. 3)

Wedge Expander Area(s)	Top View	Recommended Torque	Side View						
<p>Fig. 1</p>	<p>Fig. 2</p>	<table border="1"> <thead> <tr> <th>Number of Wedge Expanders</th> <th>Torque Foot Pounds [Newton Meters]</th> </tr> </thead> <tbody> <tr> <td>One</td> <td>70 - 75 [95 - 102]</td> </tr> <tr> <td>Two or More</td> <td>40 - 45 [54 - 61]</td> </tr> </tbody> </table> <p>Fig. 3</p>	Number of Wedge Expanders	Torque Foot Pounds [Newton Meters]	One	70 - 75 [95 - 102]	Two or More	40 - 45 [54 - 61]	<p>Fig. 4</p>
Number of Wedge Expanders	Torque Foot Pounds [Newton Meters]								
One	70 - 75 [95 - 102]								
Two or More	40 - 45 [54 - 61]								

### PIPE INSTALLATION:

1. Center pipe in Connector opening.
2. Position Clamp take-ups 90° apart. Using T-handle Torque Wrench (P/N 80090), tighten the two sets of clamps alternately to 60 in. lbs. [7 Newton Meters].
3. Inspect Connector to ensure that take-up is uniform and rubber is evenly compressed around pipe.
4. On minimum pipe O.D. installations, lift the rubber up underneath the Pipe Clamp screw so that the Connector contacts the bottom surface of the pipe while the Pipe Clamp screw is being tightened. Application of pipe lubrication on underside of the clamp will also help assure that an even contraction of rubber is maintained throughout the clamping area.
5. After the Pipe Clamp has been tightened down firmly, move the pipe horizontally and/or vertically to bring it to grade.

**Caution:** Pipe must not rest on Connector Korbands.



[www.npc.com](http://www.npc.com)

250 Elm Street • P.O. Box 301

Milford, NH 03055, U.S.A.

Tel: 603-673-8680 • 800-626-2180 • Fax: 603-673-7271