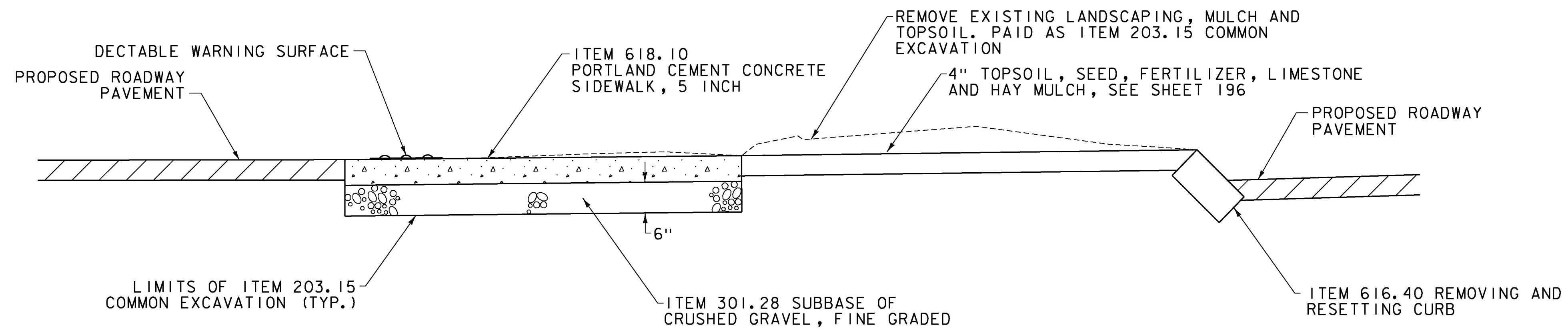


PLAN VIEW



SECTION A-A

PEDESTRIAN ISLAND RECONSTRUCTION DETAIL (TYP.)

STA. 195+67, RT  
STA. 197+10, LT

NOT TO SCALE

PROJECT NAME: WILLISTON  
PROJECT NUMBER: NH 2949(I)

FILE NAME: z12d224det+all.dgn  
PROJECT LEADER: G. EDWARDS  
DESIGNED BY: D. BARNES  
MISCELLANEOUS DETAIL SHEET 7

PLOT DATE: 2/15/2017  
DRAWN BY: D. BARNES  
CHECKED BY: J. LITTLE  
SHEET 212 OF 249

