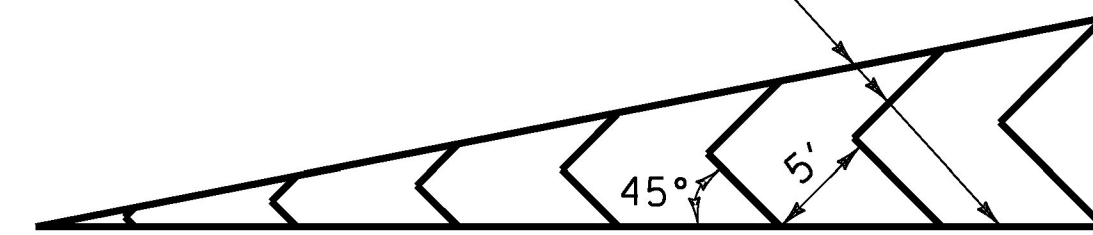


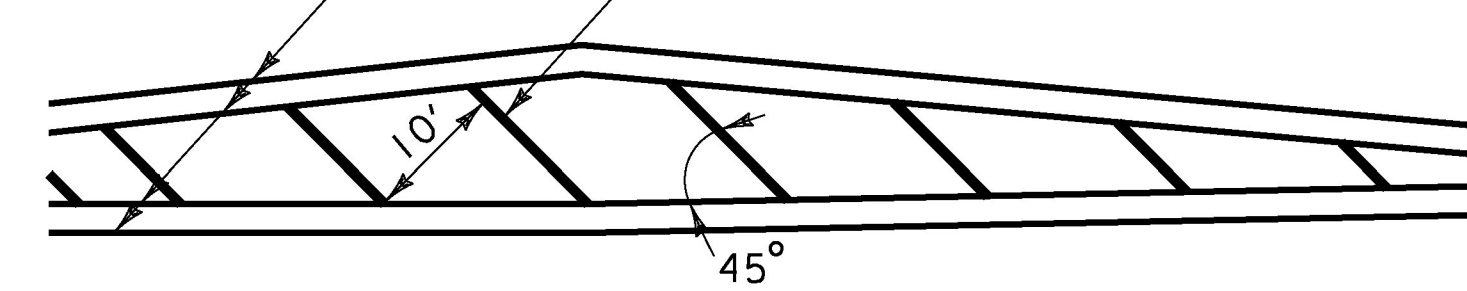
DURABLE 8 INCH WHITE LINE, TYPE A TAPE



**GORE MARKING DETAIL**  
SEE LAYOUT SHEETS FOR LOCATIONS

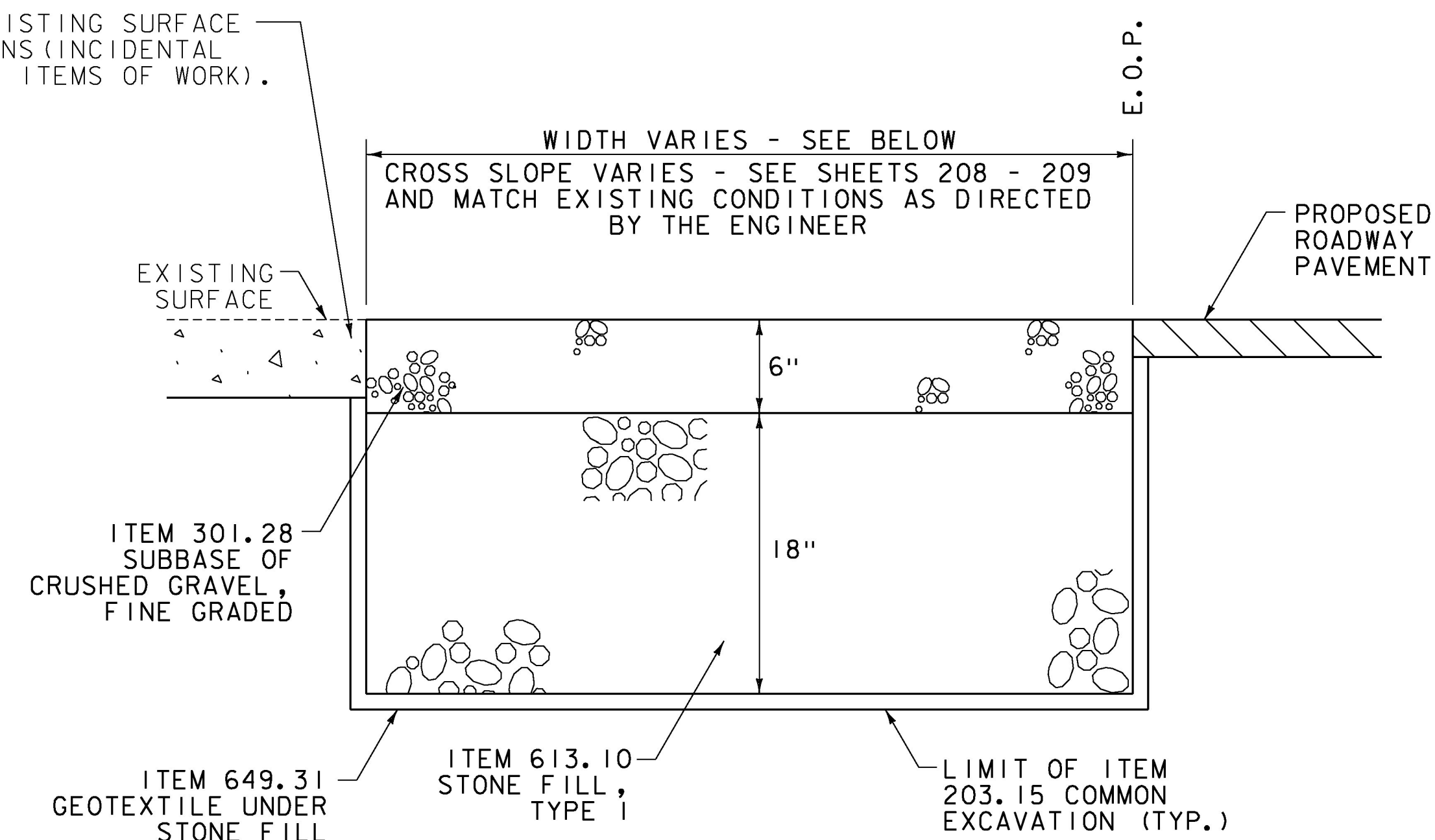
DURABLE 4 INCH YELLOW LINE, ~~TYPE A TAPE~~ RECESSED POLYUREA

DURABLE 8 INCH YELLOW LINE, ~~TYPE A TAPE~~ RECESSED POLYUREA



**GORE MARKING DETAIL**  
SEE LAYOUT SHEETS FOR LOCATIONS

MATCH EXISTING SURFACE  
CONDITIONS (INCIDENTAL  
TO OTHER ITEMS OF WORK).

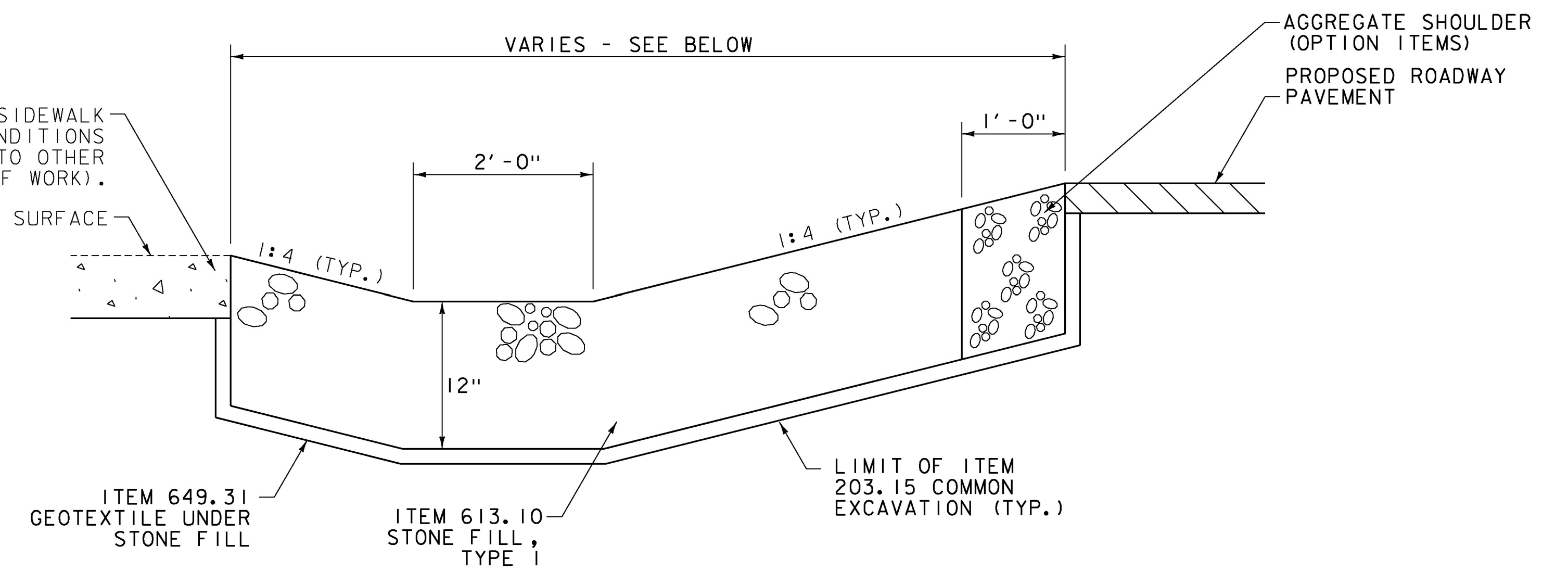


**WHEEL TRACKING RECONSTRUCTION AREA DETAIL**

- STA. 153+29 TO 154+43 RT (3' AVG. WIDTH)
- STA. 154+92 RT (SB ON RAMP)
- STA. 159+32 TO 160+03 LT (4' AVG. WIDTH)
- STA. 162+12 TO 165+30 LT \*
- STA. 165+85 TO 166+22 LT \*
- STA. 166+59 TO 168+73 LT \*
- STA. 176+88 TO 178+86 LT (2.5' AVG. WIDTH)
- STA. 193+00 TO 195+70 LT (4' AVG. WIDTH)
- STA. 204+49 TO 205+44.48 LT (3' AVG. WIDTH)

\* SEE CROSS SECTIONS ON SHEETS 209-210

MATCH EXISTING SIDEWALK  
OR LAWN CONDITIONS  
(INCIDENTAL TO OTHER  
ITEMS OF WORK).



**WHEEL TRACKING RECONSTRUCTION AREA DETAIL**

STA. 171+25 TO 175+38 LT (7' AVG. WIDTH) \*

\* SEE CROSS SECTIONS ON SHEETS 209-210

PROJECT NAME: WILLISTON  
PROJECT NUMBER: NH 2949(I)

FILE NAME: z12d224de+all.dgn  
PROJECT LEADER: G. EDWARDS  
DESIGNED BY: D. BARNES  
MISCELLANEOUS DETAIL SHEET 3

PLOT DATE: 2/15/2017  
DRAWN BY: D. BARNES  
CHECKED BY: J. LITTLE  
SHEET 208 OF 249

