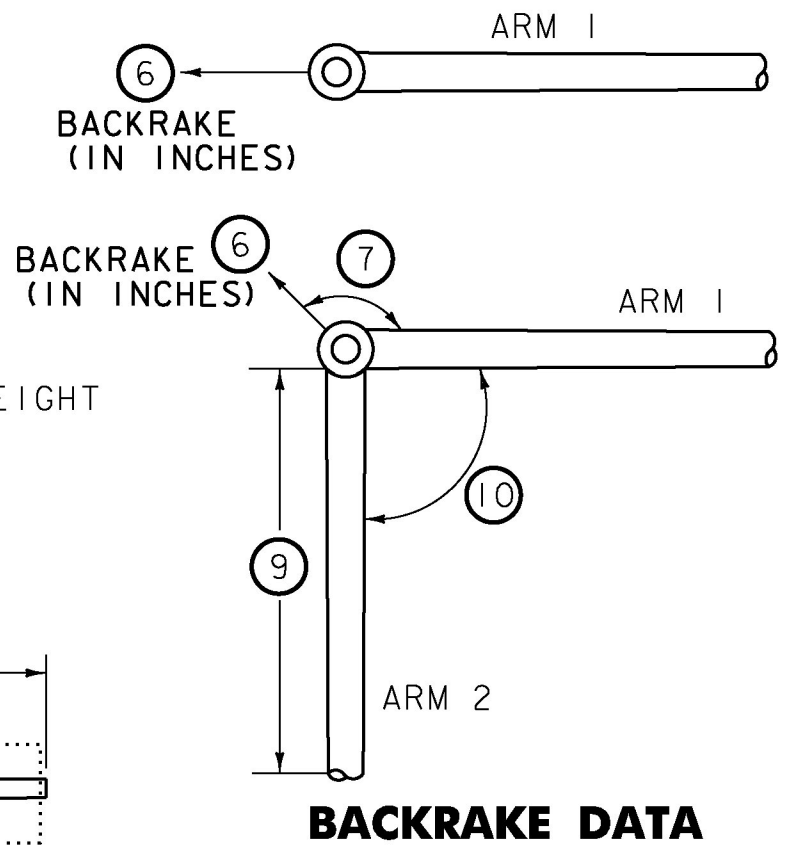
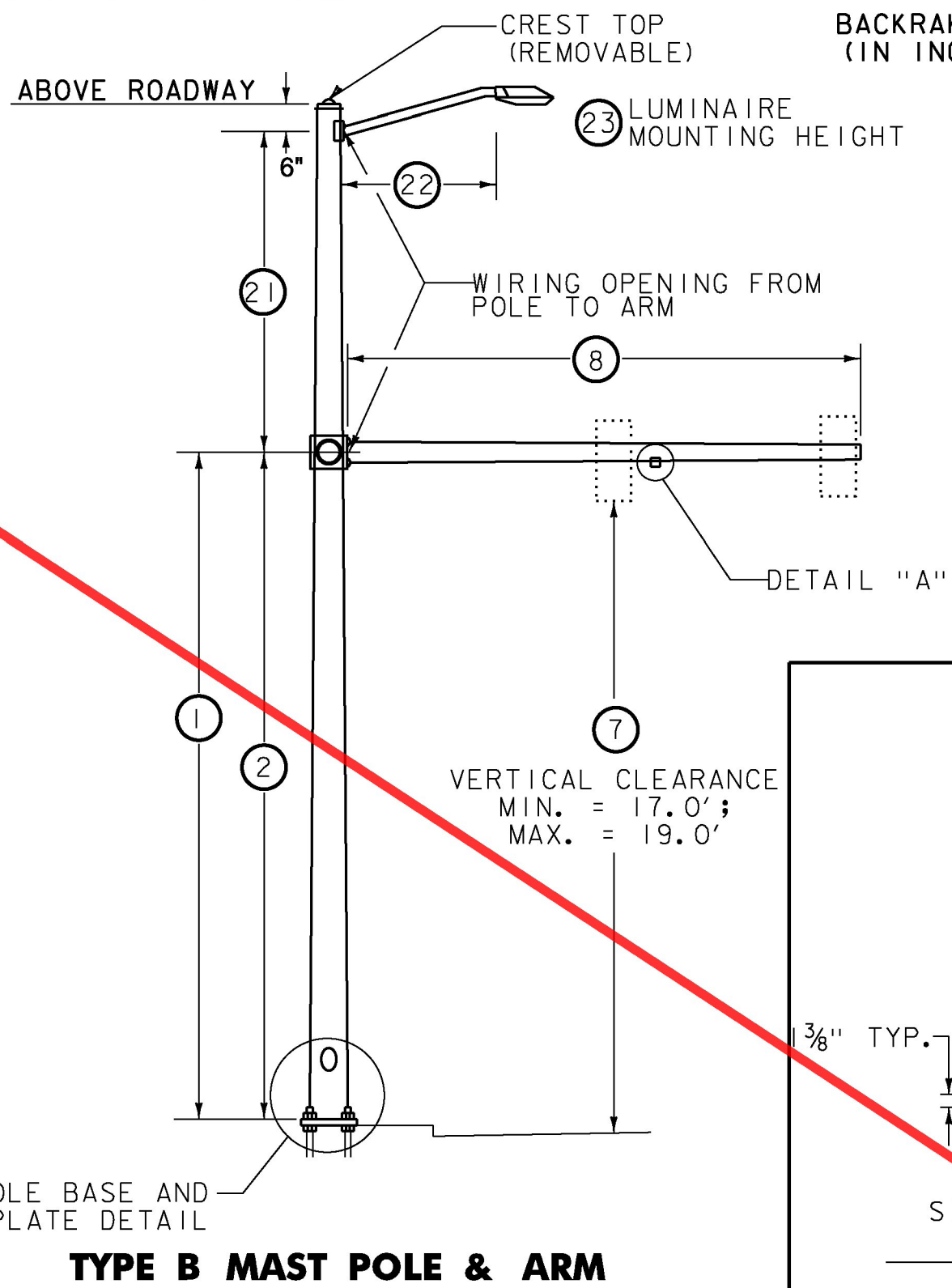
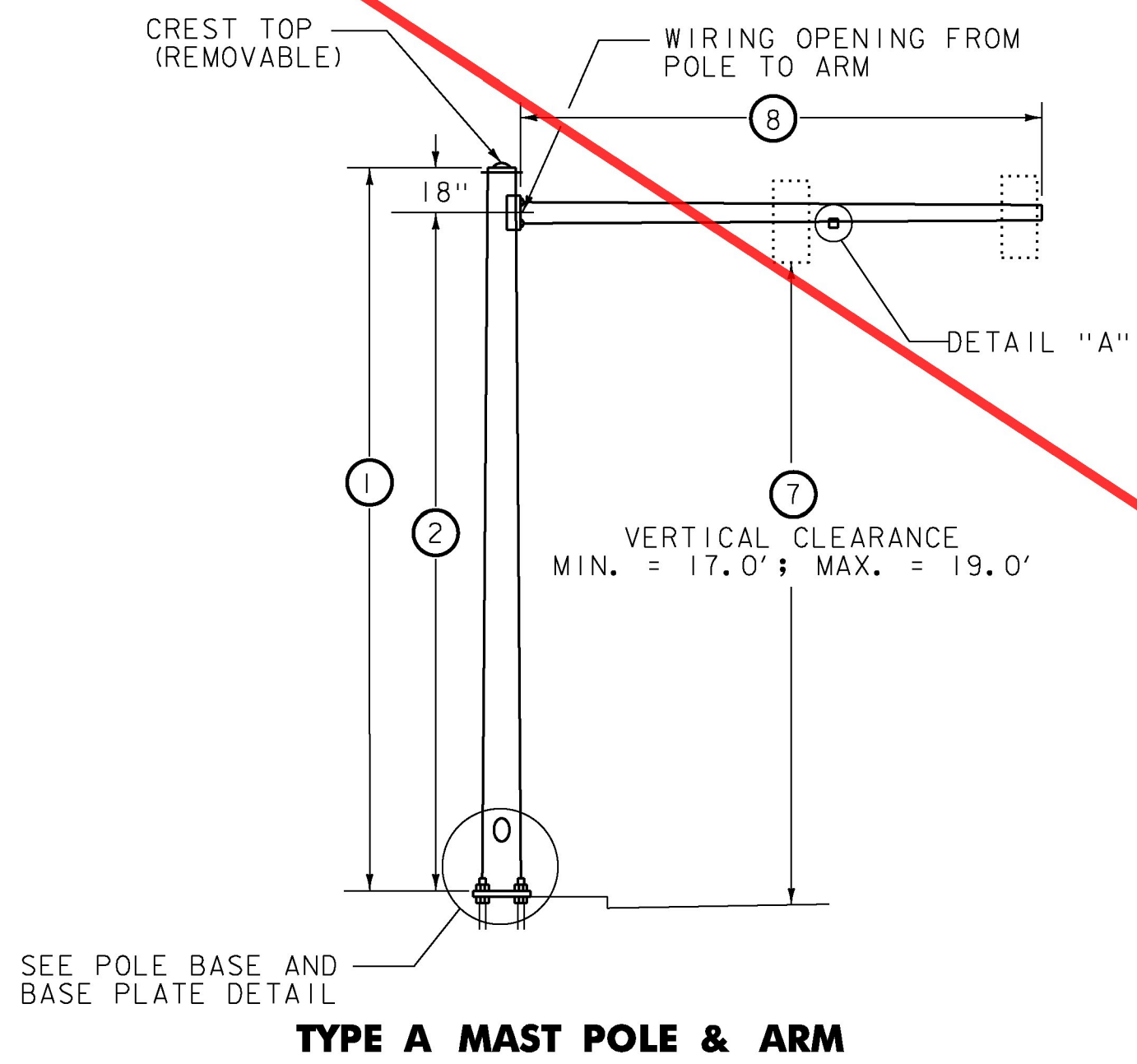


# MAST ARM, POLE & FOOTING DETAILS



**ANCHOR BOLT DETAIL**

SIZE	L (in.)	T (in.)
1 1/4" x 48"	42	8
1 1/2" x 60"	54	9
1 3/4" x 90"	84	9
2" x 96"	96	9

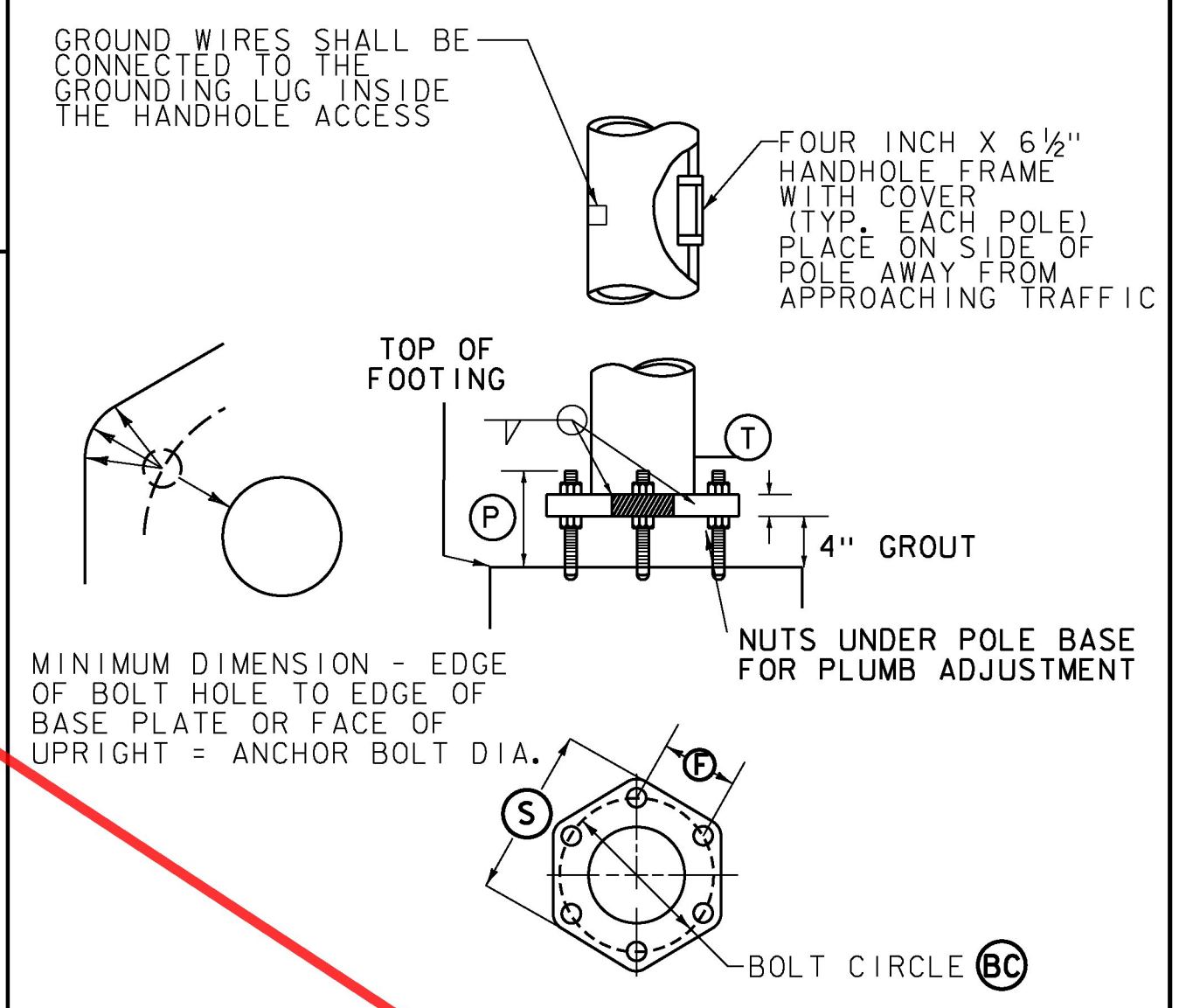
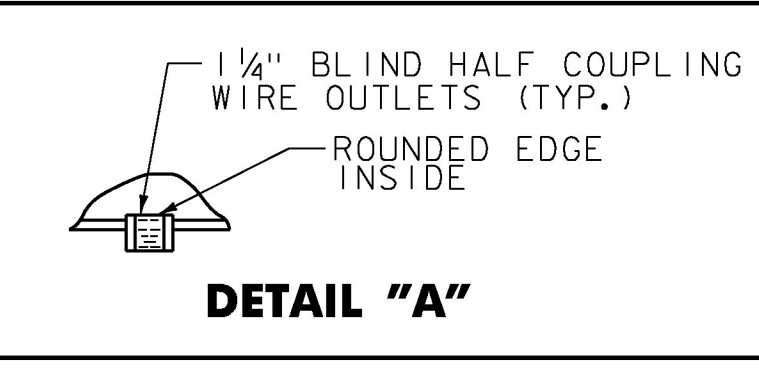
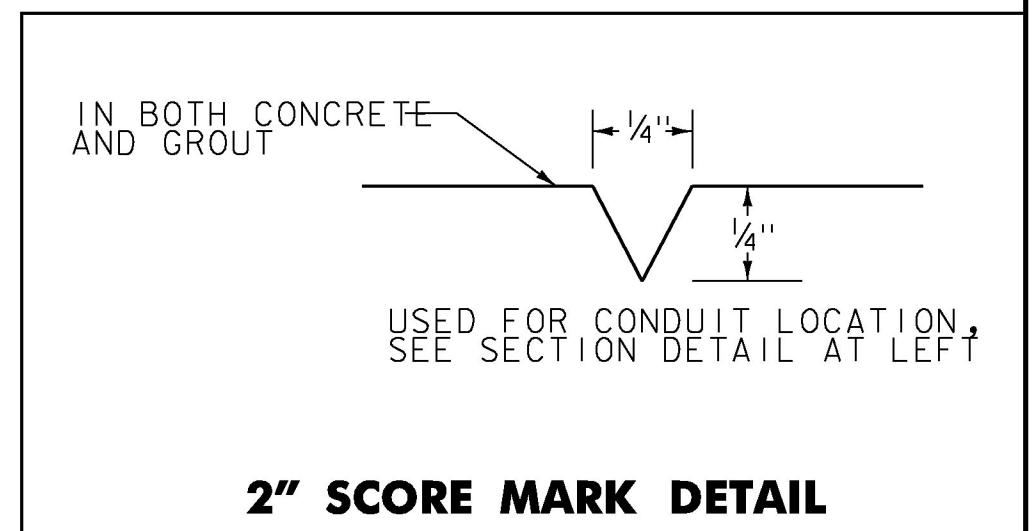
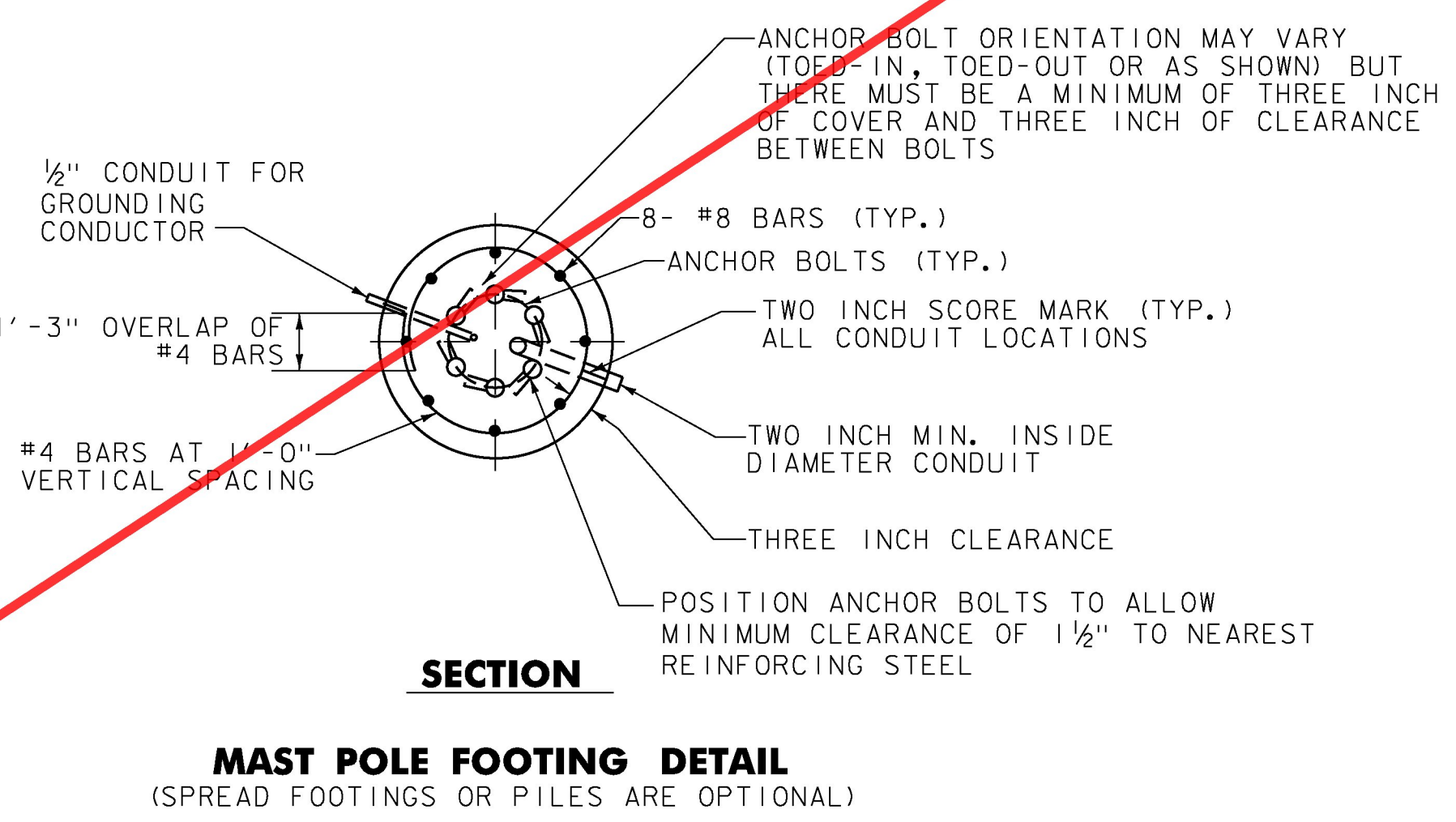
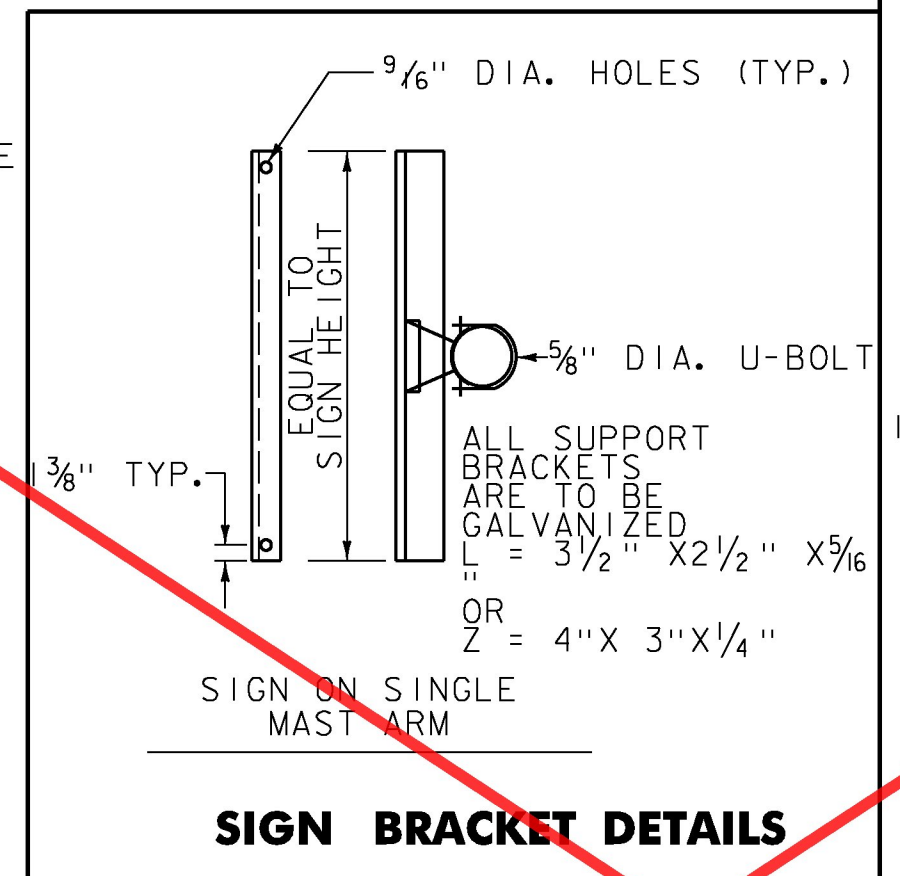
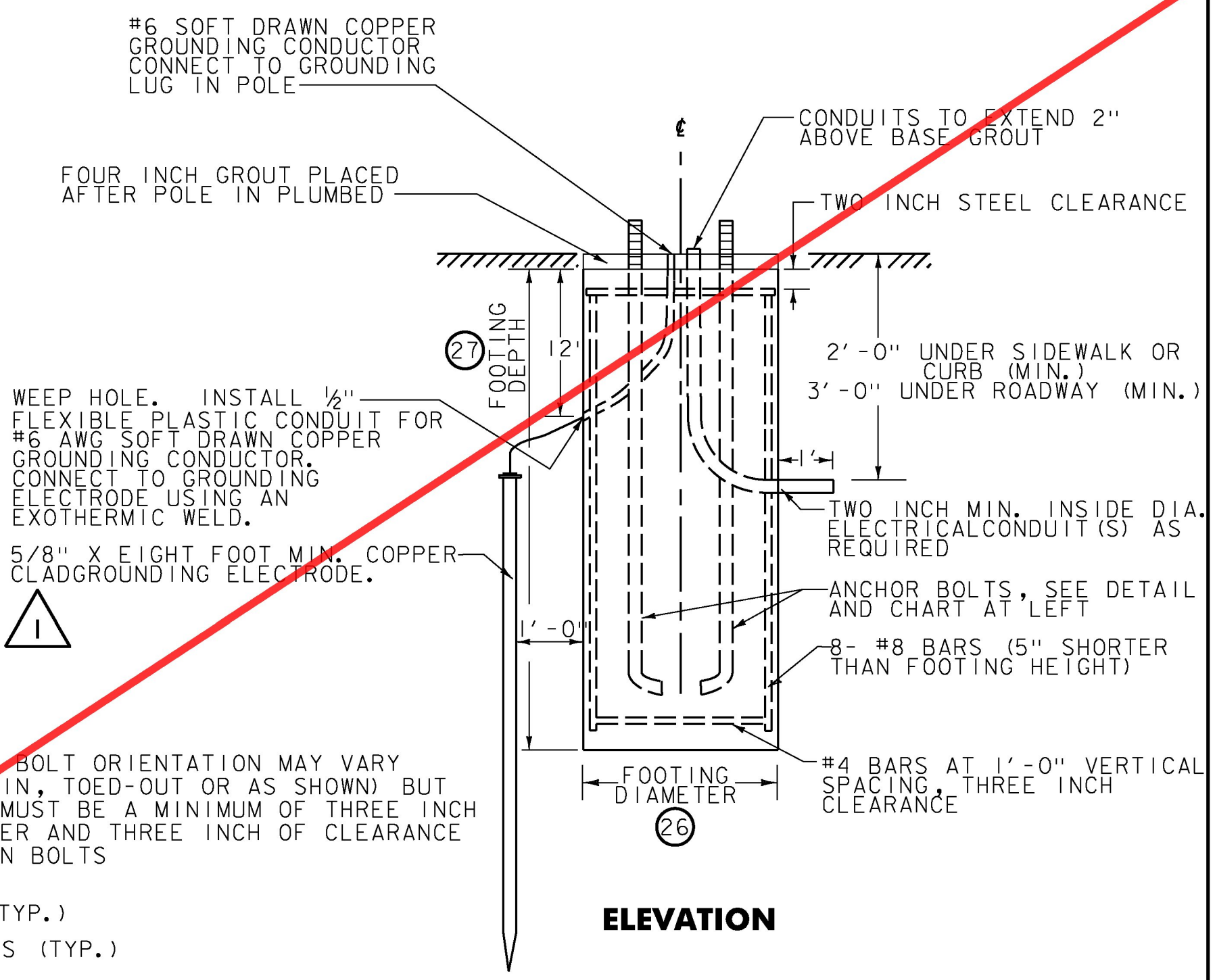
4" X 4" X 1" PLATE

INTERRUPTED THREADS

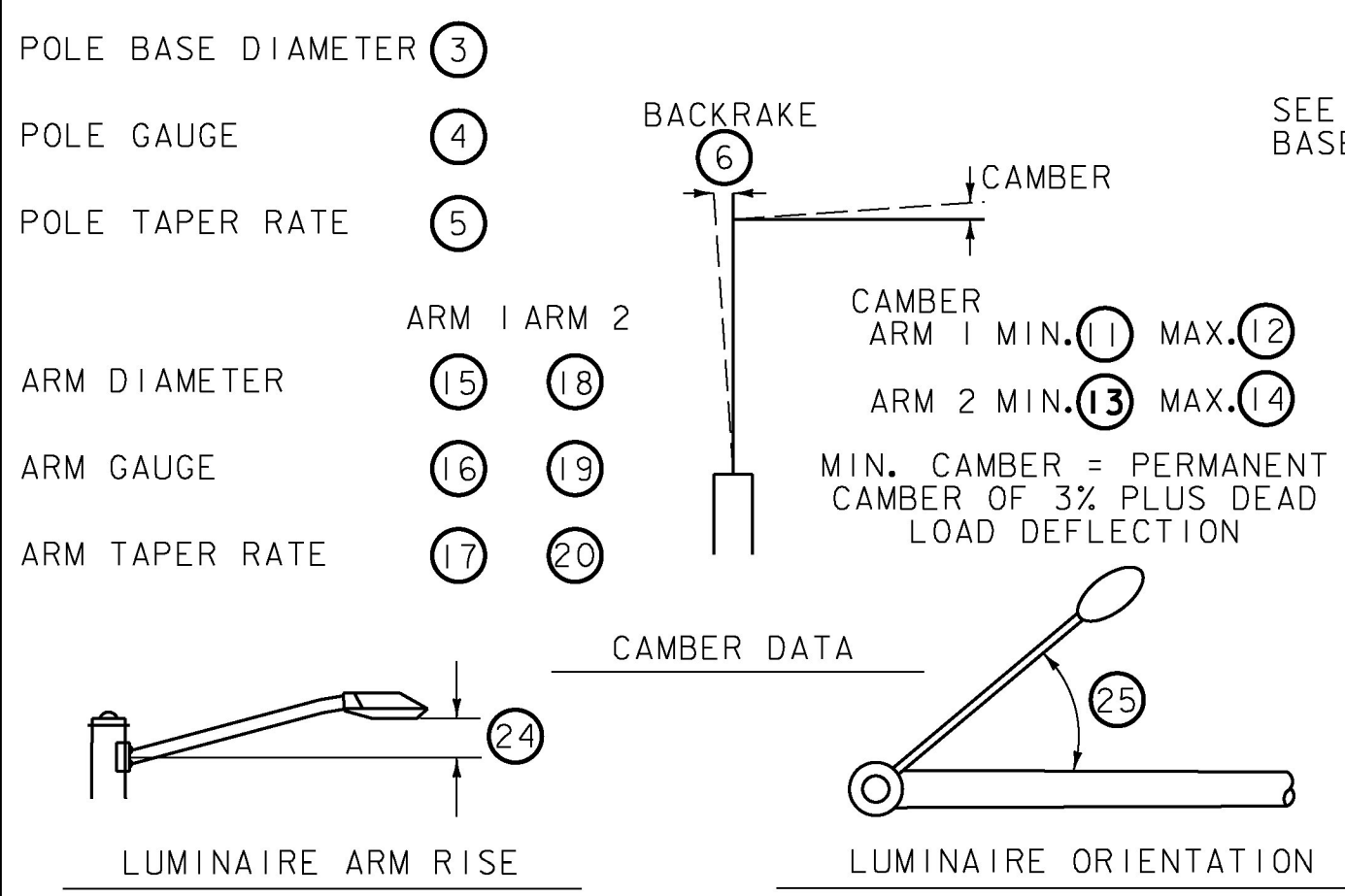
1 1/4" - 1 3/4" BOLT

2" ANCHOR BOLT ONLY

END DETAIL



- NOTES**
- SEE TRAFFIC SIGNAL GENERAL NOTES FOR ADDITIONAL INFORMATION.
  - MANUFACTURER TO DETERMINE TYPE OF STRUCTURE REQUIRED.
  - MONOTUBES SHALL NOT BE USED FOR SIGNS OVER 10' HIGH.
  - MINIMUM CLEARANCE FROM SIGNS TO ANY TRAVEL LANE SHALL BE 17'.
  - CONTRACTOR SHALL VERIFY ALL GROUND ELEVATIONS.
  - LUMINAIRES, ALL ASSOCIATED EQUIPMENT AND LABOR TO INSTALL SHALL BE PAID FOR UNDER CONTRACT ITEM NOS. 679.45, 679.47 AND 679.50.



**STRUCTURE DIMENSIONS**

POLE TYPE	POLE DATA							ARM DATA												LIGHTING DATA				FOOTING DATA		BASE PLATE / BOLT DATA											
	(1)	(2)	(3)	(4)	(5)	(6)	(7)	(8)	(9)	(10)	(11)	(12)	(13)	(14)	(15)	(16)	(17)	(18)	(19)	(20)	(21)	(22)	(23)	(24)	(25)	(26)	(27)	(28)	(29)	(30)	(F)	(S)	(T)	(P)	ANCHOR BOLT SIZE		
U. S. ROUTE 2 @ NORTH BROWNELL ROAD AND SOUTH BROWNELL ROAD																																					
MAP1	B	16'						35'	55'	83'																											
MAP2	A		20'					35'																													
MAP3	A		17'					30'																													
MAP4																																					
U. S. ROUTE 2 @ BLAIR PARK ROAD AND HARVEST LANE																																					
MAP1	B	20'						25'																													
MAP2	B	20'						30'																													
MAP3	B	20'						20'																													
MAP4	B	20'						35'																													

MAN = TO BE DETERMINED BY MANUFACTURER

• SEE TRAFFIC SIGNAL LAYOUT SHEETS

**SHEET DISCONTINUED  
SEE REPLACEMENT  
SHEET #119R**

REVISION	DATE	DESCRIPTION	BY
1	04/04/2017	NOTE AND DETAIL REVISED	DKB



PROJECT NAME:	SOUTH BURLINGTON-WILLISTON
PROJECT NUMBER:	NH 2944(I)
FILE NAME:	zld340detalls.dgn
PROJECT LEADER:	G. EDWARDS
DESIGNED BY:	D. DEBAIE
MAST ARM, POLE & FOOTING DETAILS	
PLOT DATE:	4/3/2017
DRAWN BY:	T. MANAHAN
CHECKED BY:	T. LUTHER
SHEET	119 OF 249