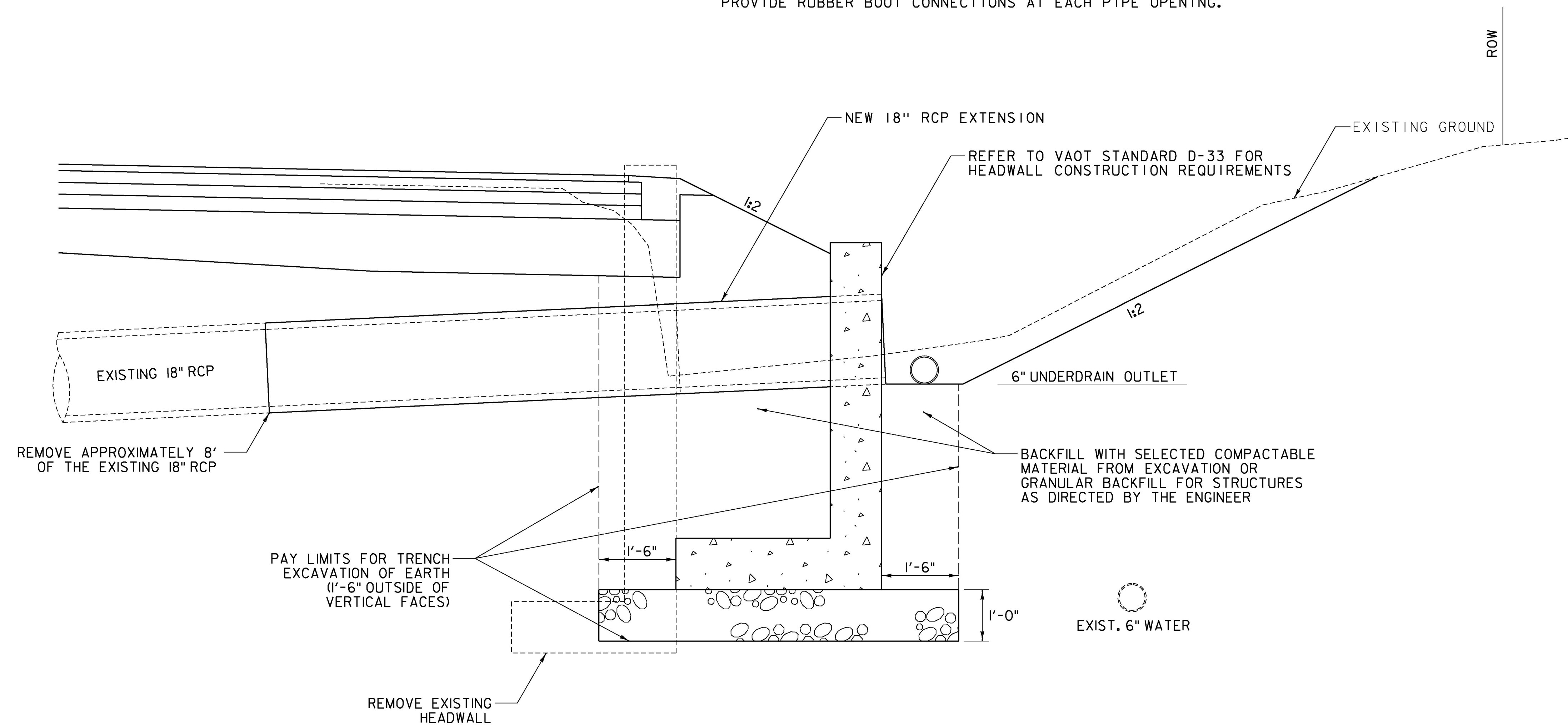


PRECAST REINFORCED CONCRETE DROP INLET DETAIL

NOTES: PROVIDE WATER TIGHT CONNECTION OF CONCRETE SECTIONS USING AN APPROVED MASTIC-TYPE SEALANT.
 PROVIDE RUBBER BOOT CONNECTIONS AT EACH PIPE OPENING.



CULVERT EXTENSION DETAIL
 STA. 134+34, RT

NOT TO SCALE

PROJECT NAME: SOUTH BURLINGTON-WILLISTON
 PROJECT NUMBER: NH 2944(I)

FILE NAME: zild340detalls.dgn
 PROJECT LEADER: G. EDWARDS
 DESIGNED BY: J. LITTLE
 DRAINAGE DETAIL SHEET 2

PLOT DATE: 2/15/2017
 DRAWN BY: D. BARNES
 CHECKED BY: J. LITTLE
 SHEET 48 OF 249

