

S.P. (REPLACEMENT OF VALVE BOX)
 (ITEM 920.620 SPECIAL PROVISION) (0695)
 (NO FEDERAL/STATE PARTICIPATION)
 SEE NOTE 37 ON SHEET 11

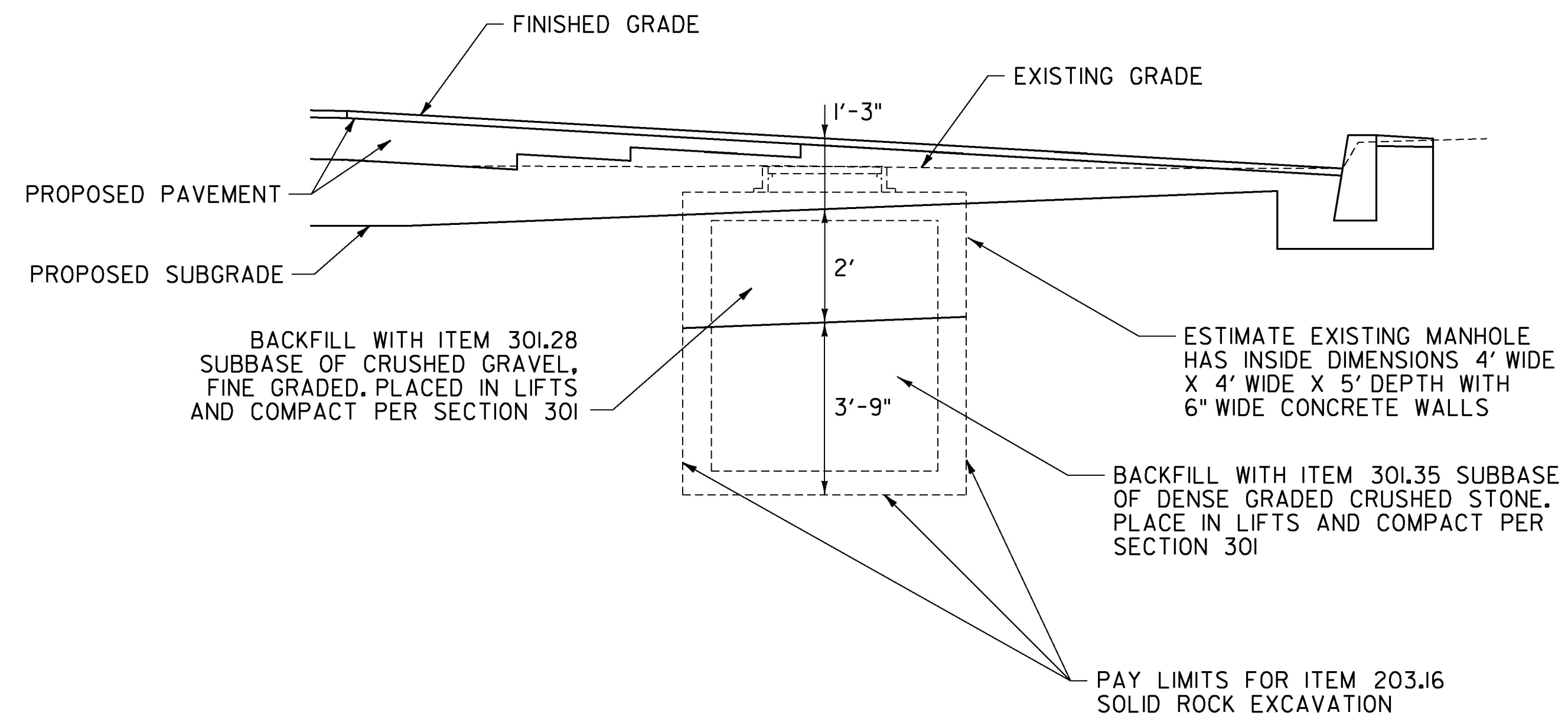
STATION	POSITION	DESCRIPTION	OWNER
U.S. ROUTE 2			
WILLISTON			
22+18	RT	WSO	TOWN OF WILLISTON
54+08	RT	WSO	TOWN OF WILLISTON
54+65	RT	WSO	TOWN OF WILLISTON
81+08	RT	WSO	TOWN OF WILLISTON
37+83	RT	WSO	TOWN OF WILLISTON
54+83	RT	WSO	TOWN OF WILLISTON

NATURAL GAS VALVES
 (TO BE ADJUSTED BY OTHERS)

STATION	POSITION	DESCRIPTION	OWNER
U.S. ROUTE 2			
SOUTH BURLINGTON			
120+91	RT	GSO	VERMONT GAS SYSTEMS
122+00	LT	GSO (PROP.)	VERMONT GAS SYSTEMS
123+77	LT	GSO	VERMONT GAS SYSTEMS
127+19	LT	GSO	VERMONT GAS SYSTEMS
127+19	LT	GSO (PROP.)	VERMONT GAS SYSTEMS
135+44	LT	GSO	VERMONT GAS SYSTEMS
135+82	LT	GSO	VERMONT GAS SYSTEMS
137+70	LT	GSO	VERMONT GAS SYSTEMS
147+63	RT	GSO	VERMONT GAS SYSTEMS
148+83	LT	GSO	VERMONT GAS SYSTEMS
WILLISTON			
3+98	LT	GSO	VERMONT GAS SYSTEMS
8+33	LT	GSO	VERMONT GAS SYSTEMS
22+62	LT	GLB (PROP.)	VERMONT GAS SYSTEMS
22+62	LT	GSO (PROP.)	VERMONT GAS SYSTEMS
24+08	LT	GSO	VERMONT GAS SYSTEMS
25+95	LT	GSO	VERMONT GAS SYSTEMS
33+75	LT	GSO	VERMONT GAS SYSTEMS
36+73	LT	GSO	VERMONT GAS SYSTEMS
37+10	LT	GLB (PROP.)	VERMONT GAS SYSTEMS
37+24	RT	GSO	VERMONT GAS SYSTEMS
37+24	RT	GLB	VERMONT GAS SYSTEMS
37+35	LT	GSO (PROP.)	VERMONT GAS SYSTEMS
37+35	LT	GLB (PROP.)	VERMONT GAS SYSTEMS
37+38	LT	GSO (PROP.)	VERMONT GAS SYSTEMS
37+54	LT	GLB	VERMONT GAS SYSTEMS
37+54	LT	GSO	VERMONT GAS SYSTEMS
44+08	LT	GSO	VERMONT GAS SYSTEMS
44+08	LT	GSO (PROP.)	VERMONT GAS SYSTEMS
44+55	LT	GSO	VERMONT GAS SYSTEMS
44+55	LT	GSO (PROP.)	VERMONT GAS SYSTEMS
44+58	LT	GLB (PROP.)	VERMONT GAS SYSTEMS
44+88	LT	GSO (PROP.)	VERMONT GAS SYSTEMS
47+08	LT	GSO (PROP.)	VERMONT GAS SYSTEMS
47+08	LT	GLB (PROP.)	VERMONT GAS SYSTEMS
52+29	LT	GSO	VERMONT GAS SYSTEMS
54+40	LT	GLB (PROP.)	VERMONT GAS SYSTEMS
56+03	LT	GSO (PROP.)	VERMONT GAS SYSTEMS
56+03	LT	GLB (PROP.)	VERMONT GAS SYSTEMS
56+08	LT	GSO (PROP.)	VERMONT GAS SYSTEMS
61+28	LT	GSO	VERMONT GAS SYSTEMS
63+44	LT	GSO (PROP.)	VERMONT GAS SYSTEMS
65+13	LT	GSO (PROP.)	VERMONT GAS SYSTEMS
66+38	LT	GSO	VERMONT GAS SYSTEMS
69+57	LT	GLB (PROP.)	VERMONT GAS SYSTEMS
70+31	LT	GSO	VERMONT GAS SYSTEMS
70+31	LT	GLB	VERMONT GAS SYSTEMS

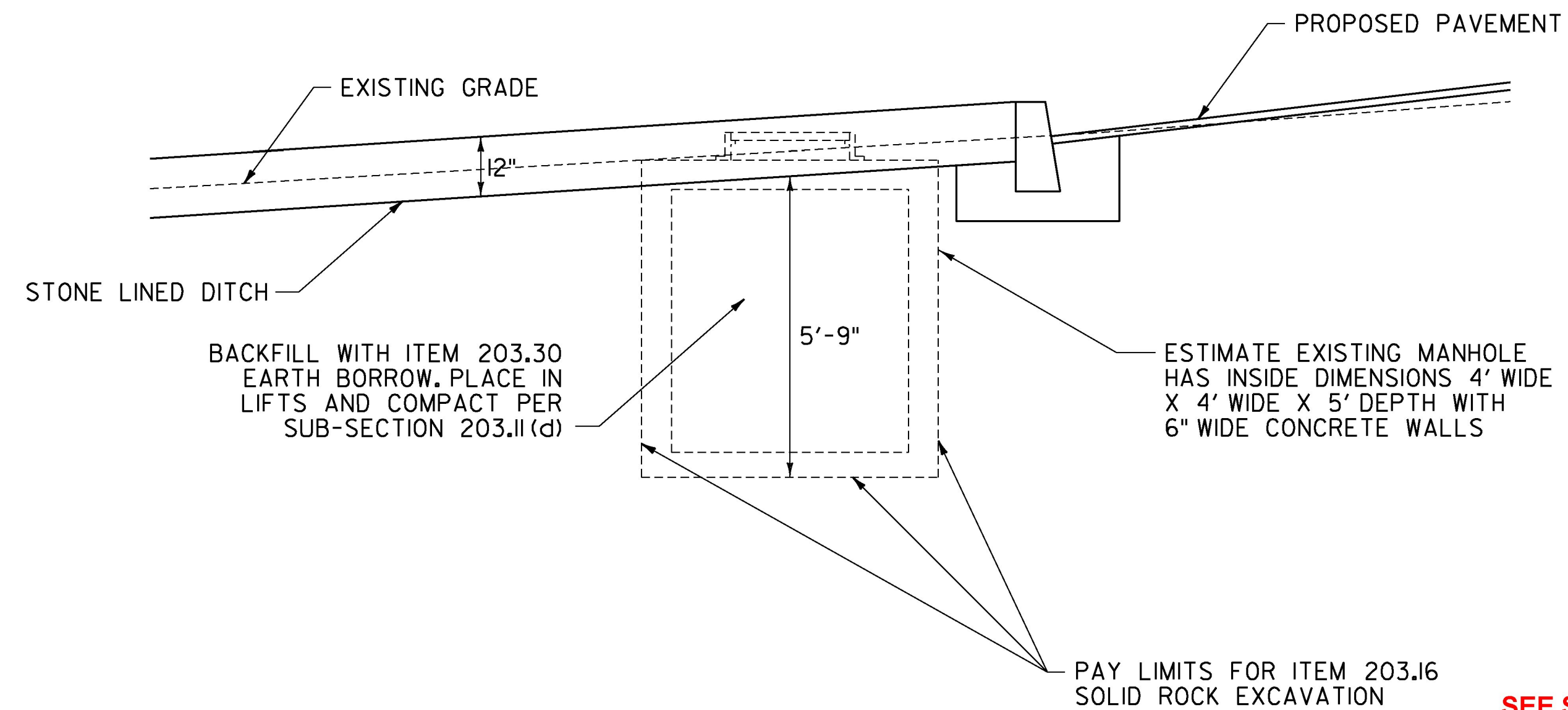
PRIVATE UTILITY STRUCTURES
 (TO BE REMOVED)

STATION	POSITION	DESCRIPTION	OWNER
U.S. ROUTE 2			
SOUTH BURLINGTON			
148+71	LT	TMH	AT&T
148+98	RT	TMH	AT&T



REMOVAL OF AT&T TELEPHONE MANHOLE
 IN EXISTING PAVEMENT

SOUTH BURLINGTON STA. 148+98, RT



REMOVAL OF AT&T TELEPHONE MANHOLE
 IN PROPOSED STONE LINED DITCH

SOUTH BURLINGTON STA. 148+71, LT

SEE SITEMANAGER / E-BOOKS FOR
 LOCATIONS AND QUANTITIES
 UTILIZED ON THIS PROJECT

PROJECT NAME:	SOUTH BURLINGTON-WILLISTON
PROJECT NUMBER:	NH 2944(1)
FILE NAME:	z1d340de+alls.dgn
DESIGNED BY:	D. DRAPER
CHECKED BY:	J. LITTLE
PLOT DATE:	2/15/2017
DRAWN BY:	D. DRAPER
CULVERT & STRUCTURE INVENTORY SHEET 2 SHEET 22 OF 249	

