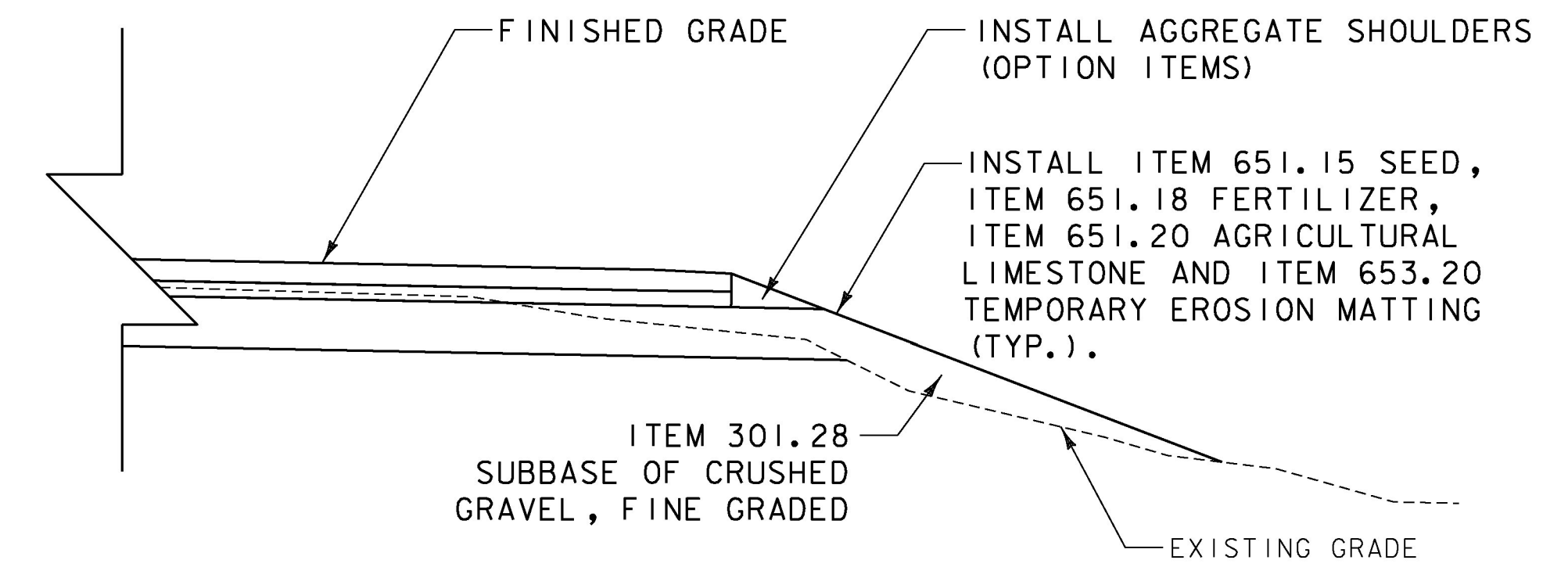
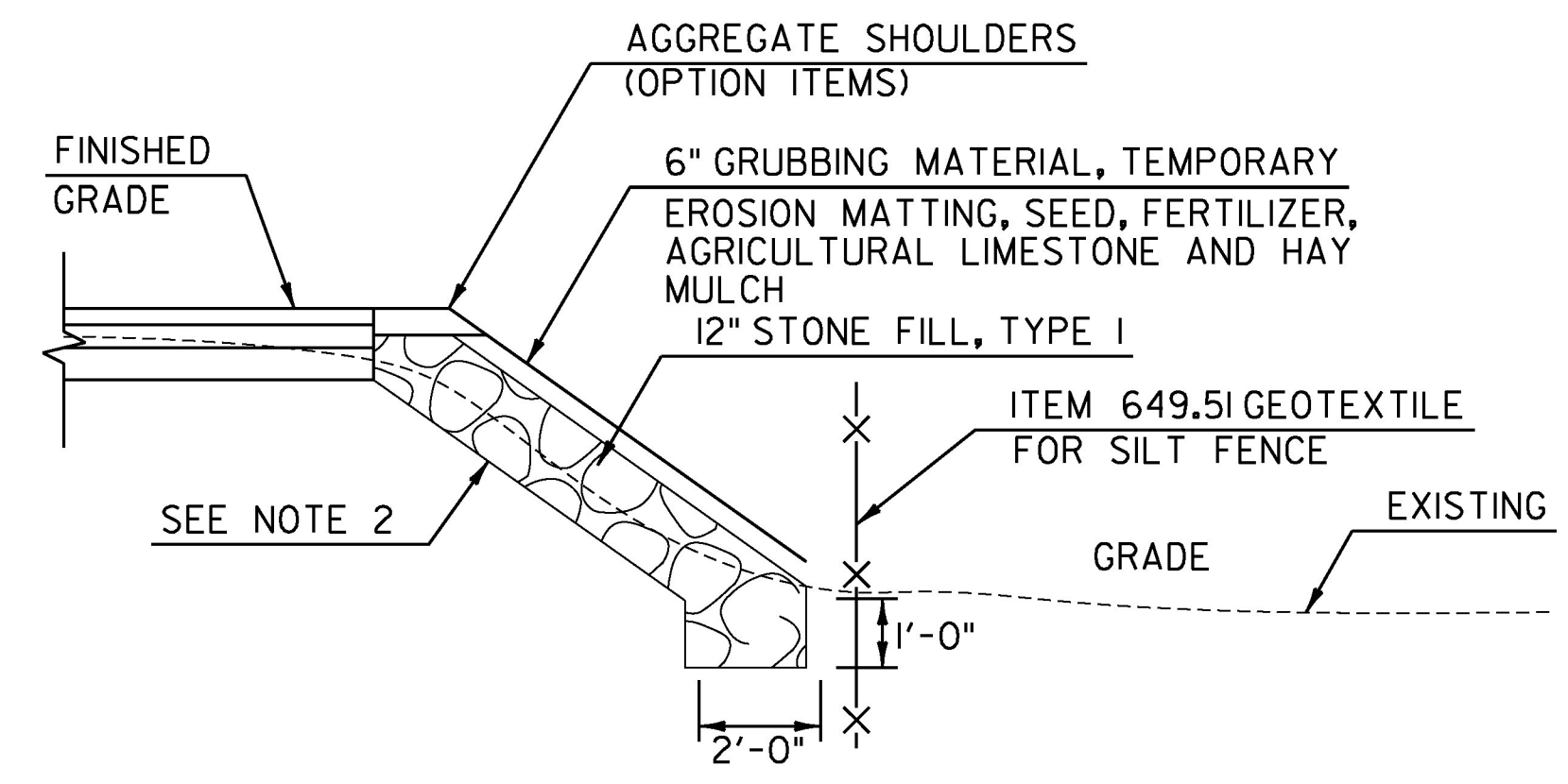


SUBBASE TRANSITION FOR DRIVES



FILL SLOPE DETAIL

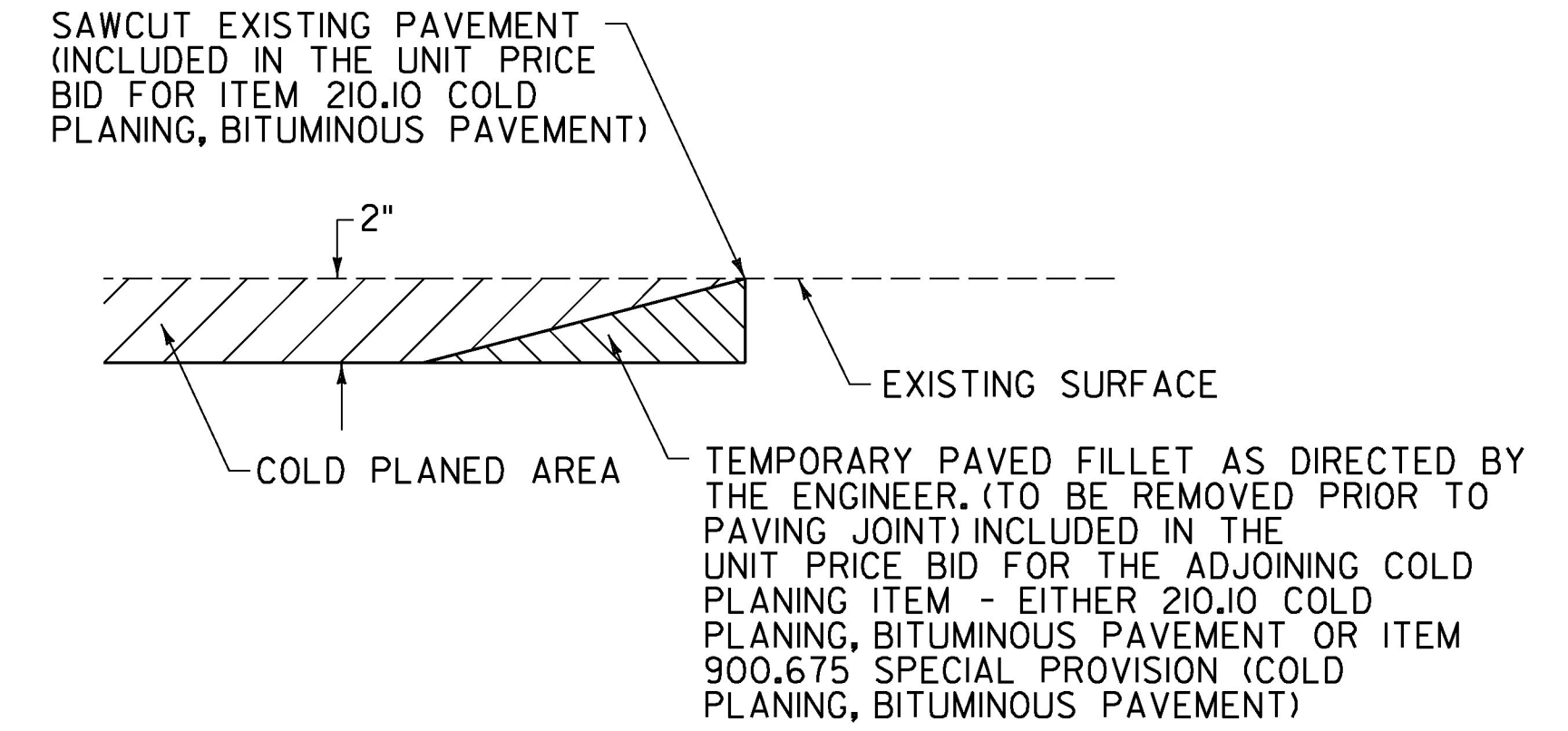
(FOR SLOPES FLATTER THAN 1:1.5)
FOR USE AS DIRECTED BY THE ENGINEER



FILL SLOPE WITH STONE FILL DETAIL

- LOCATIONS
- WILLISTON STA. 18+50 TO 18+75, RT
 - WILLISTON STA. 20+45 TO 21+02, RT
 - WILLISTON STA. 21+25 TO 21+75, RT

- NOTES:
- STONE FILL TO BE PLACED ON SLOPES 1:1.5 OR STEEPER
 - ANY EXCAVATION REQUIRED TO INSTALL STONE WILL BE PAID FOR UNDER ITEM 608.25 ALL PURPOSE EXCAVATOR RENTAL, TYPE I



DETAIL AT VERTICAL COLD PLANE JOINTS

NOTE: THIS DETAIL SHALL BE USED AT THE LOCATIONS LISTED BELOW AS DIRECTED BY THE ENGINEER.

FULL ROADWAY WIDTH

WILLISTON
STA. 13+20, LT (INDUSTRIAL AVE.)

= EXISTING CONCRETE SLAB

NOT TO SCALE

PROJECT NAME:	SOUTH BURLINGTON-WILLISTON
PROJECT NUMBER:	NH 2944(1)
FILE NAME:	z1ld340typ.dgn
PROJECT LEADER:	G. EDWARDS
DESIGNED BY:	D. DRAPER
TYPICAL SECTION SHEET	8
PLOT DATE:	2/15/2017
DRAWN BY:	D. DRAPER
CHECKED BY:	J. LITTLE
SHEET	19 OF 249

