

TEMPORARY 4 INCH WHITE LINE, PAINT  
 DURABLE 4 INCH WHITE LINE (OPTION BID ITEM)  
 W376+50 TO W388+50 SOLID LT & RT

TEMPORARY 4 INCH YELLOW LINE, PAINT  
 DURABLE 4 INCH YELLOW LINE, POLYUREA  
 W376+50 TO W388+50 SOLID LT & RT

STEEL BEAM GUARDRAIL, GALVANIZED  
 W382+39 TO W382+51.5 RT  
 W386+89 TO W387+01.5 RT

STEEL BEAM GUARDRAIL,  
 GALVANIZED W/8 FEET POSTS  
 W382+51.5 TO W386+89 RT

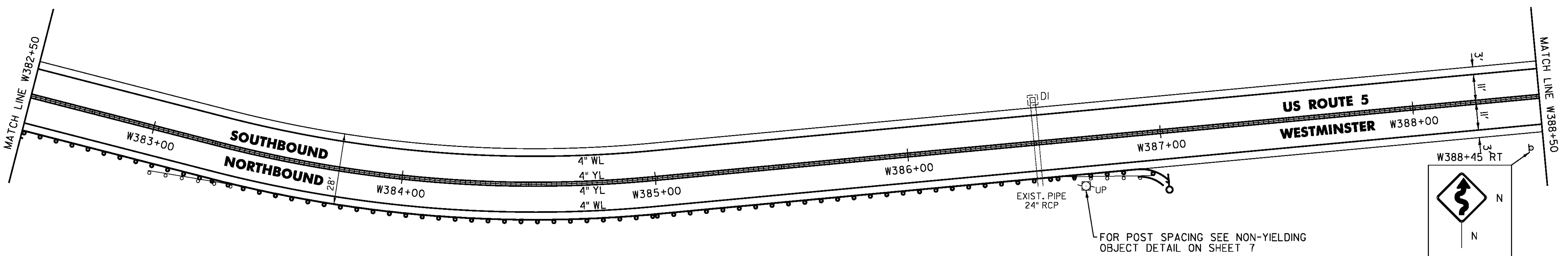
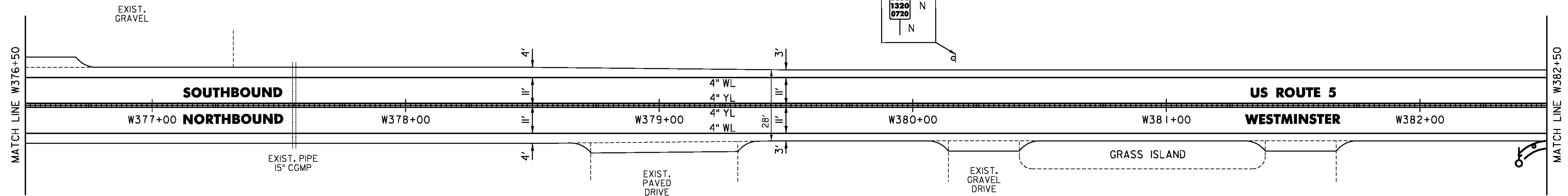
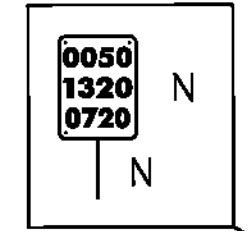
ANCHOR FOR STEEL BEAM RAIL  
 W382+39 RT  
 W387+01.5 RT

MILLED RUMBLE STRIPS  
 W376+50 TO W388+50 CL

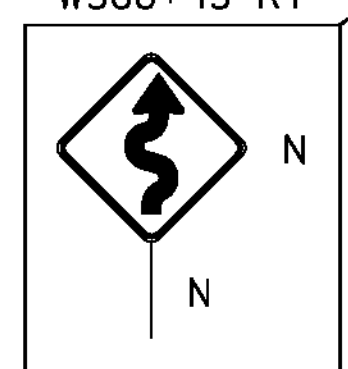
REMOVAL AND DISPOSAL OF GUARDRAIL  
 W383+02 TO W386+95 RT

DELINEATOR WITH STEEL POST  
 W382+39 RT  
 W387+01.5 RT

W380+16 LT



FOR POST SPACING SEE NON-YIELDING  
 OBJECT DETAIL ON SHEET 7



- LEGEND**
- R = REMOVE EXISTING
  - S = SALVAGE
  - R&S = REMOVE AND SALVAGE
  - N = NEW
  - RET = RETAIN
  - B-B = BACK TO BACK
  - = EXISTING GUARDRAIL
  - = PROPOSED GUARDRAIL
  - YL = YELLOW LINE
  - WL = WHITE LINE
  - = DELINEATOR
  - = UTILITY POLE

NOT TO SCALE

PROJECT NAME:	PUTNEY-WESTMINSTER	FILE NAME:	zllc344bdr.dgn	PLOT DATE:	12/10/2013
PROJECT NUMBER:	STP 2946(1)	PROJECT LEADER:	P. SHEDD	DRAWN BY:	W. GORDON
		DESIGNED BY:	N. LEMAY	CHECKED BY:	P. SHEDD
		ROADWAY LAYOUT 73 US 5		SHEET	94 OF 138