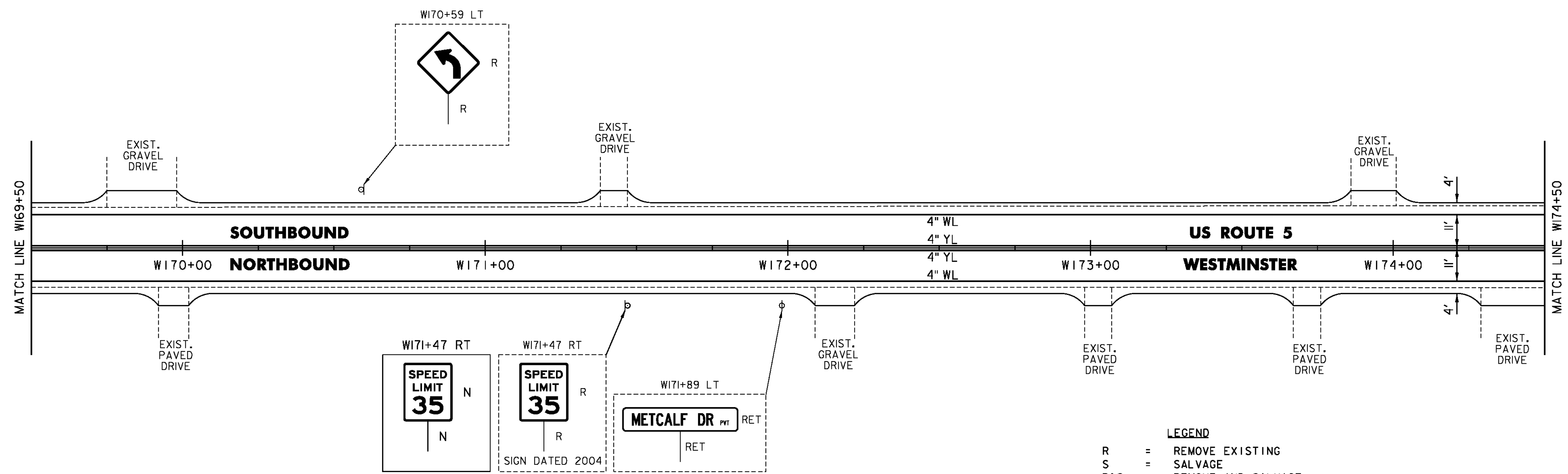
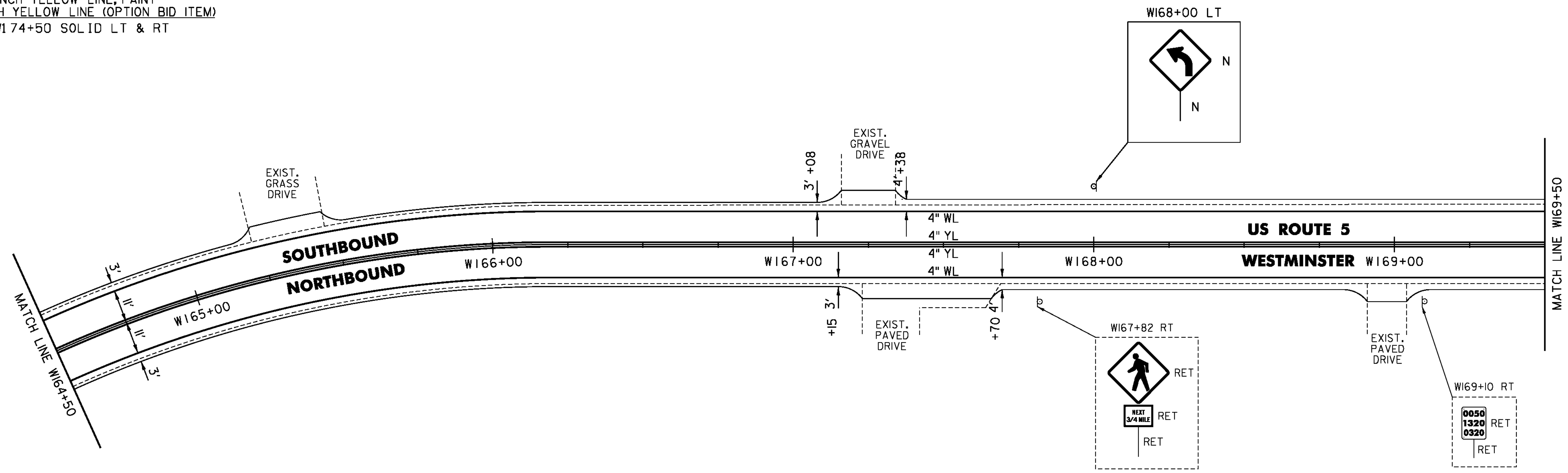


TEMPORARY 4 INCH WHITE LINE, PAINT  
 DURABLE 4 INCH WHITE LINE (OPTION BID ITEM)  
 W164+50 TO W174+50 SOLID LT & RT

REMOVING SIGNS  
 AS SHOWN - 2

TEMPORARY 4 INCH YELLOW LINE, PAINT  
 DURABLE 4 INCH YELLOW LINE (OPTION BID ITEM)  
 W164+50 TO W174+50 SOLID LT & RT



- LEGEND**
- R = REMOVE EXISTING
  - S = SALVAGE
  - R&S = REMOVE AND SALVAGE
  - N = NEW
  - RET = RETAIN
  - B-B = BACK TO BACK
  - = EXISTING GUARDRAIL
  - = PROPOSED GUARDRAIL
  - YL = YELLOW LINE
  - WL = WHITE LINE
  - = DELINEATOR
  - ⊙ = UTILITY POLE

NOT TO SCALE

PROJECT NAME:	PUTNEY-WESTMINSTER	FILE NAME:	zllc344bdr.dgn	PLOT DATE:	12/10/2013
PROJECT NUMBER:	STP 2946(1)	PROJECT LEADER:	P. SHEDD	DRAWN BY:	W. GORDON
		DESIGNED BY:	N. LEMAY	CHECKED BY:	P. SHEDD
		ROADWAY LAYOUT 51 US 5		SHEET	72 OF 138