

TEMPORARY 4 INCH WHITE LINE, PAINT  
 DURABLE 4 INCH WHITE LINE (OPTION BID ITEM)  
 W66+50 TO W78+50 SOLID LT & RT

TEMPORARY 4 INCH YELLOW LINE, PAINT  
 DURABLE 4 INCH YELLOW LINE, POLYUREA  
 W66+50 TO W78+50 SOLID LT & RT

STEEL BEAM GUARDRAIL, GALVANIZED  
 W68+34.5 TO W68+47 RT  
 W74+30 TO W74+42.5 RT  
 W76+92.5 TO W77+05 RT

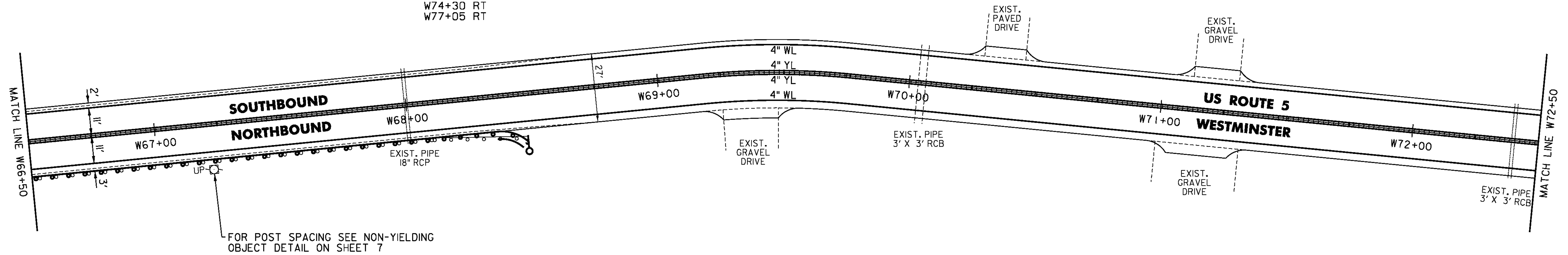
STEEL BEAM GUARDRAIL,  
 GALVANIZED W/8 FEET POSTS  
 W66+50 TO W68+34.5 RT  
 W74+42.5 TO W76+92.5 RT

ANCHOR FOR STEEL BEAM RAIL  
 W68+47 RT  
 W74+30 RT  
 W77+05 RT

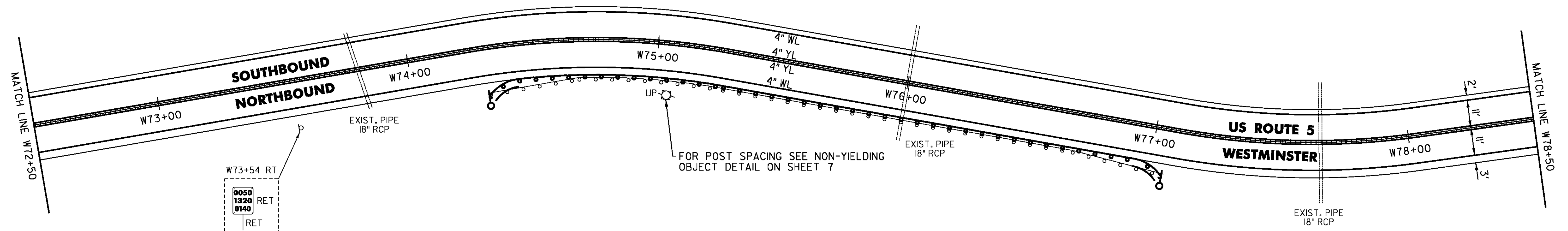
REMOVAL AND DISPOSAL OF GUARDRAIL  
 W66+50 TO W68+47 RT  
 W74+30 TO W77+05 RT

DELINEATOR WITH STEEL POST  
 W68+47 RT  
 W74+30 RT  
 W77+05 RT

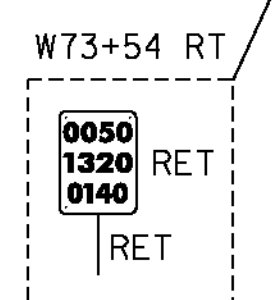
MILLED RUMBLE STRIPS  
 W66+50 TO W78+50 CL



FOR POST SPACING SEE NON-YIELDING  
 OBJECT DETAIL ON SHEET 7



FOR POST SPACING SEE NON-YIELDING  
 OBJECT DETAIL ON SHEET 7



- LEGEND**
- R = REMOVE EXISTING
  - S = SALVAGE
  - R&S = REMOVE AND SALVAGE
  - N = NEW
  - RET = RETAIN
  - B-B = BACK TO BACK
  - = EXISTING GUARDRAIL
  - = PROPOSED GUARDRAIL
  - YL = YELLOW LINE
  - WL = WHITE LINE
  - = DELINEATOR
  - = UTILITY POLE

PROJECT NAME:	PUTNEY-WESTMINSTER	PLOT DATE:	12/10/2013
PROJECT NUMBER:	STP 2946(1)	DRAWN BY:	W. GORDON
FILE NAME:	zllc344bdr.dgn	DESIGNED BY:	N. LEMAY
PROJECT LEADER:	P. SHEDD	CHECKED BY:	P. SHEDD
ROADWAY LAYOUT 39 US 5		SHEET	60 OF 138

NOT TO SCALE