

TEMPORARY 4 INCH WHITE LINE, PAINT
 DURABLE 4 INCH WHITE LINE (OPTION BID ITEM)
 203+50 TO 213+50 SOLID LT & RT

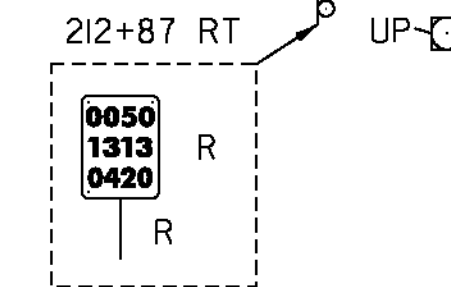
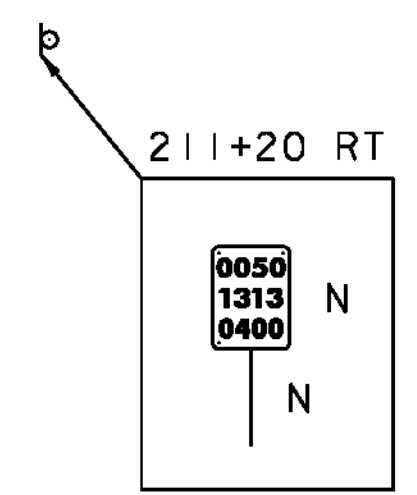
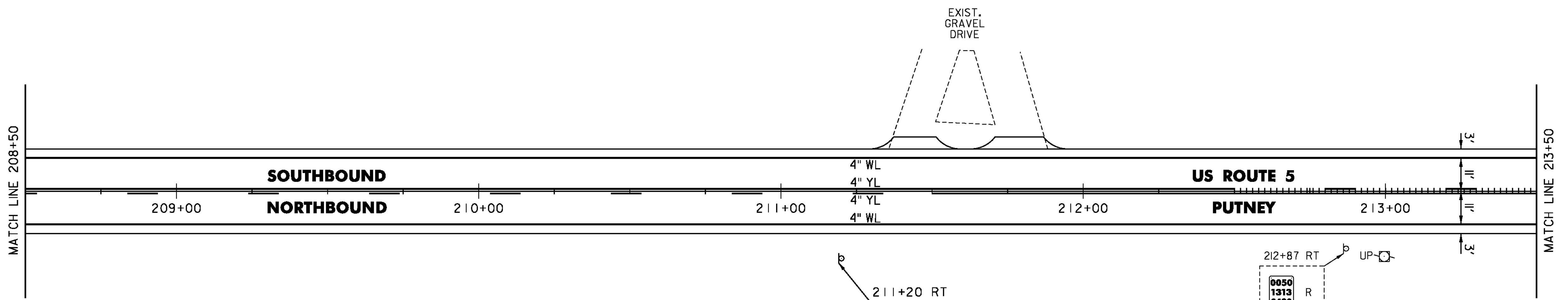
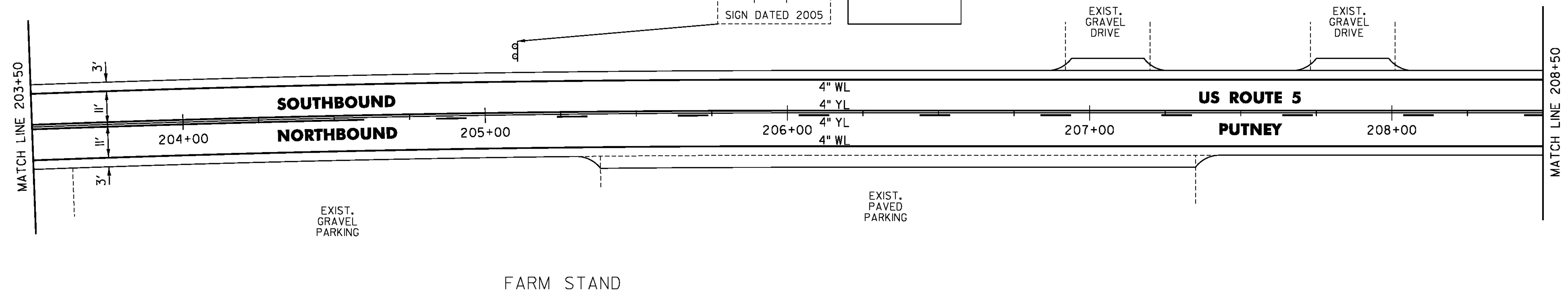
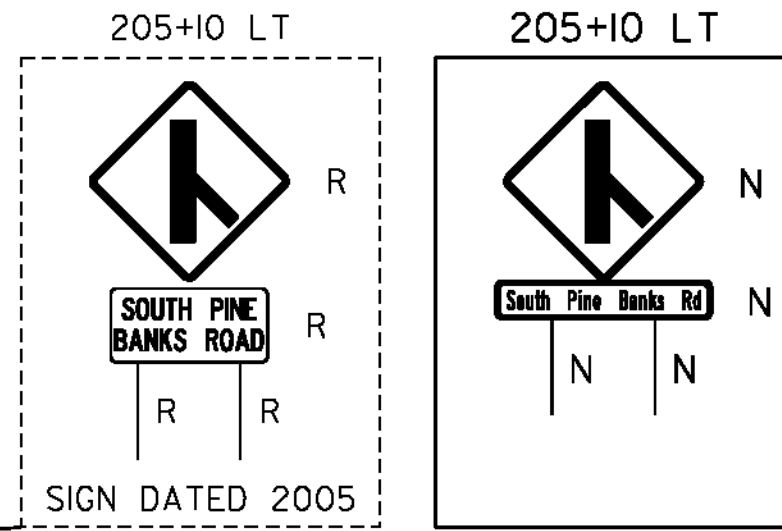
TEMPORARY 4 INCH YELLOW LINE, PAINT
 203+50 TO 204+60 SOLID LT & RT
 204+60 TO 211+50 SOLID LT, DASHED RT
 211+50 TO 212+50 SOLID LT & RT
 212+50 TO 213+50 DASHED LT, SOLID RT

DURABLE 4 INCH YELLOW LINE (OPTION BID ITEM)
 203+50 TO 204+60 SOLID LT & RT
 204+60 TO 211+50 SOLID LT, DASHED RT
 211+50 TO 212+50 SOLID LT & RT

DURABLE 4 INCH YELLOW LINE, POLYUREA
 212+50 TO 213+50 DASHED LT, SOLID RT

MILLED RUMBLE STRIPS
 212+50 TO 213+50 CL

REMOVING SIGNS
 AS SHOWN - 3



- LEGEND**
- R = REMOVE EXISTING
 - S = SALVAGE
 - R&S = REMOVE AND SALVAGE
 - N = NEW
 - RET = RETAIN
 - B-B = BACK TO BACK
 - = EXISTING GUARDRAIL
 - = PROPOSED GUARDRAIL
 - YL = YELLOW LINE
 - WL = WHITE LINE
 - = DELINEATOR
 - ⊕ = UTILITY POLE

PROJECT NAME: PUTNEY-WESTMINSTER
 PROJECT NUMBER: STP 2946(1)
 FILE NAME: zllc344bdr.dgn
 PROJECT LEADER: P. SHEDD
 DESIGNED BY: N. LEMAY
 ROADWAY LAYOUT 22 US 5
 PLOT DATE: 12/10/2013
 DRAWN BY: W. GORDON
 CHECKED BY: P. SHEDD
 SHEET 43 OF 138

NOT TO SCALE