

TEMPORARY 4 INCH WHITE LINE, PAINT  
 DURABLE 4 INCH WHITE LINE (OPTION BID ITEM)  
 138+50 TO 149+50 SOLID LT & RT

TEMPORARY 4 INCH YELLOW LINE, PAINT  
 DURABLE 4 INCH YELLOW LINE, POLYUREA  
 138+50 TO 149+50 SOLID LT & RT

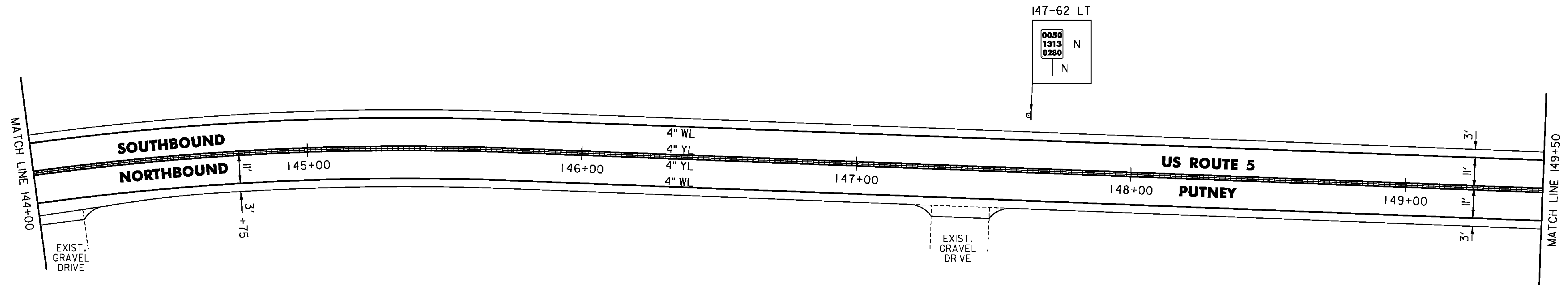
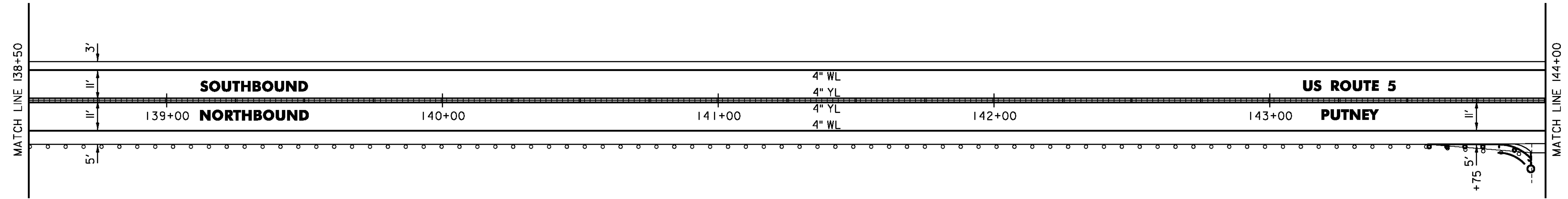
STEEL BEAM GUARDRAIL, GALVANIZED  
 143+57 TO 143+94.5 RT

ANCHOR FOR STEEL BEAM RAIL  
 143+94.5 RT

REMOVAL AND DISPOSAL OF GUARDRAIL  
 143+57 TO 143+94.5 RT

DELINEATOR WITH STEEL POST  
 143+94.5 RT

MILLED RUMBLE STRIPS  
 138+50 TO 149+50 CL



- LEGEND**
- R = REMOVE EXISTING
  - S = SALVAGE
  - R&S = REMOVE AND SALVAGE
  - N = NEW
  - RET = RETAIN
  - B-B = BACK TO BACK
  - = EXISTING GUARDRAIL
  - = PROPOSED GUARDRAIL
  - YL = YELLOW LINE
  - WL = WHITE LINE
  - = DELINEATOR
  - = UTILITY POLE

NOT TO SCALE

PROJECT NAME: PUTNEY-WESTMINSTER

PROJECT NUMBER: STP 2946(1)

FILE NAME: zllc344bdr.dgn

PROJECT LEADER: P. SHEDD

DESIGNED BY: N. LEMAY

ROADWAY LAYOUT I4 US 5

PLOT DATE: 12/10/2013

DRAWN BY: W. GORDON

CHECKED BY: P. SHEDD

SHEET 35 OF 138