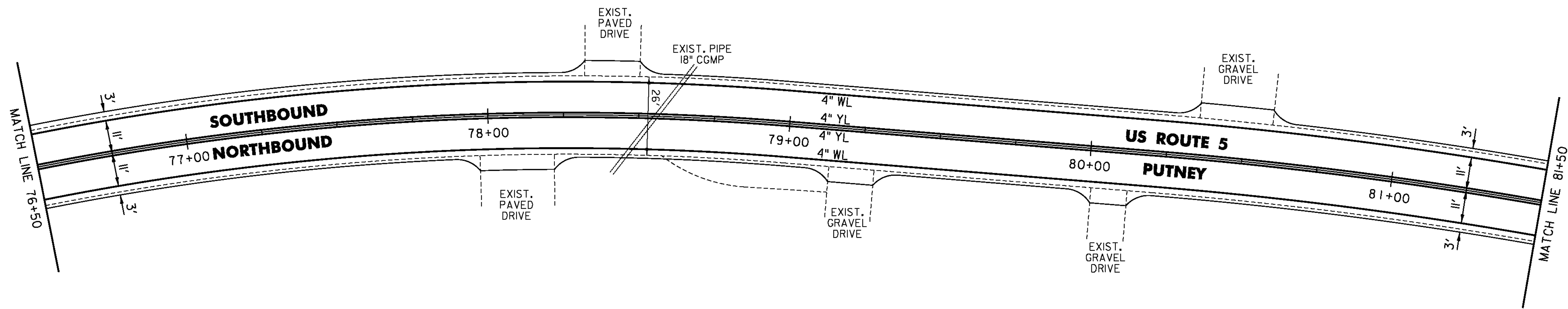


TEMPORARY 4 INCH WHITE LINE, PAINT
 DURABLE 4 INCH WHITE LINE (OPTION BID ITEM)
 76+50 TO 81+50 SOLID LT & RT

TEMPORARY 4 INCH YELLOW LINE, PAINT
 DURABLE 4 INCH YELLOW LINE (OPTION BID ITEM)
 76+50 TO 81+50 SOLID LT & RT



LEGEND

- R = REMOVE EXISTING
- S = SALVAGE
- R&S = REMOVE AND SALVAGE
- N = NEW
- RET = RETAIN
- B-B = BACK TO BACK
- = EXISTING GUARDRAIL
- = PROPOSED GUARDRAIL
- YL = YELLOW LINE
- WL = WHITE LINE
- = DELINEATOR
- ⊕ = UTILITY POLE

PROJECT NAME: PUTNEY-WESTMINSTER

PROJECT NUMBER: STP 2946(1)

FILE NAME: zllc344bdr.dgn

PROJECT LEADER: P. SHEDD

DESIGNED BY: N. LEMAY

ROADWAY LAYOUT 6 US 5

PLOT DATE: 12/10/2013

DRAWN BY: W. GORDON

CHECKED BY: P. SHEDD

SHEET 27 OF 138

NOT TO SCALE