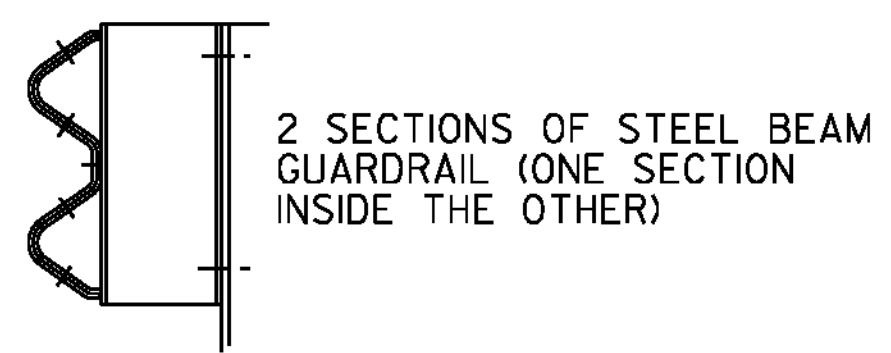
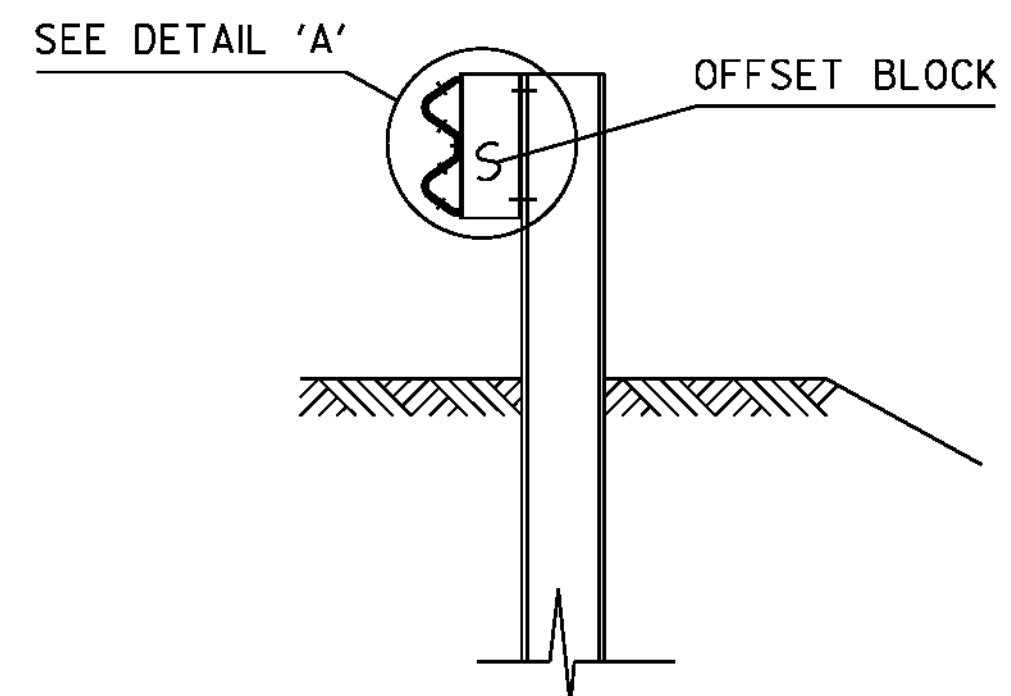


**DETAIL OF STEEL BEAM  
GUARDRAIL AT SMALL CULVERTS**

BRIDGE #30 W231 +15



**DETAIL 'A'**



**SECTION A-A**

**STEEL BEAM GUARDRAIL AT CULVERTS NOTES**

1. SEE VAOT STANDARDS G-1 & G-1d FOR STEEL BEAM GUARDRAIL DETAILS.
2. THIS WORK SHALL BE PAID UNDER ITEM 621.206 STEEL BEAM GUARDRAIL GALVANIZED/NESTED AS SHOWN IN THE PLANS.
3. THESE DETAILS ARE TO BE USED AS INDICATED ON THE ITEM DETAIL SHEET OR AS DIRECTED BY THE ENGINEER.

NOT TO SCALE

PROJECT NAME: PUTNEY WESTMINSTER  
PROJECT NUMBER: STP 2946(I)

FILE NAME: zllc344frm.dgn  
PROJECT LEADER: P. SHEDD  
DESIGNED BY: N. LEMAY  
BRIDGE RAILING DETAIL SHEET 1

PLOT DATE: 12/10/2013  
DRAWN BY: W. GORDON  
CHECKED BY: P. SHEDD  
SHEET 19 OF 138