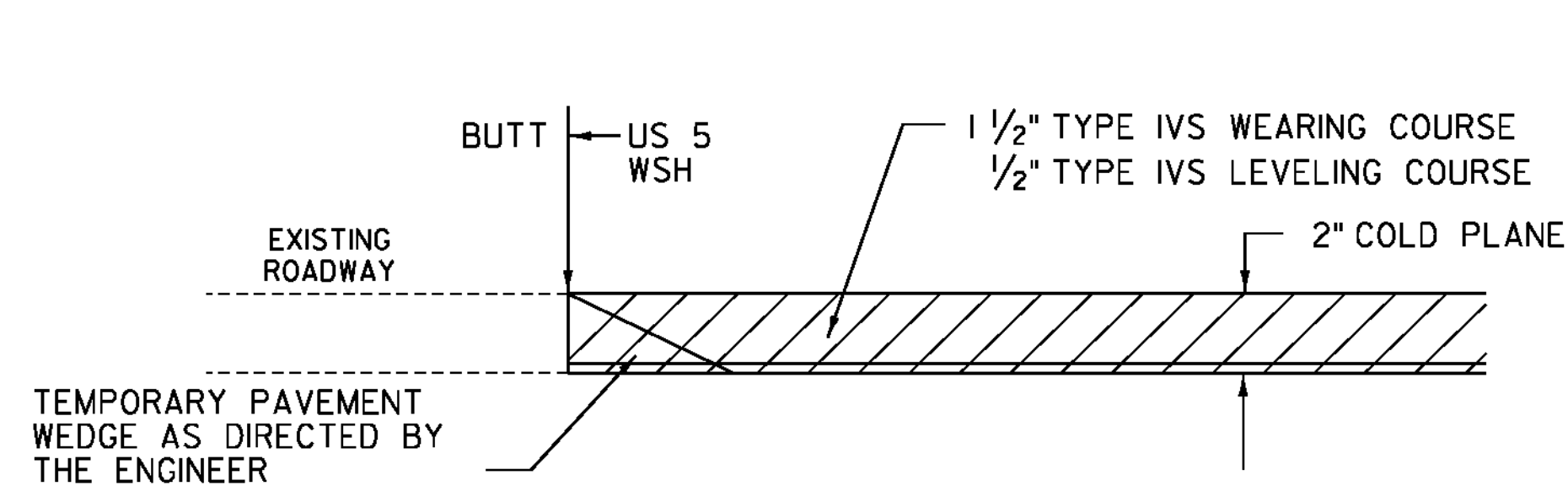


**COLD PLANE AND OVERLAY TYPICAL SECTION**

FOR BRIDGE LOCATIONS SEE BRIDGE APPROACH & COLD PLANE DETAIL THIS SHEET

LOCATION

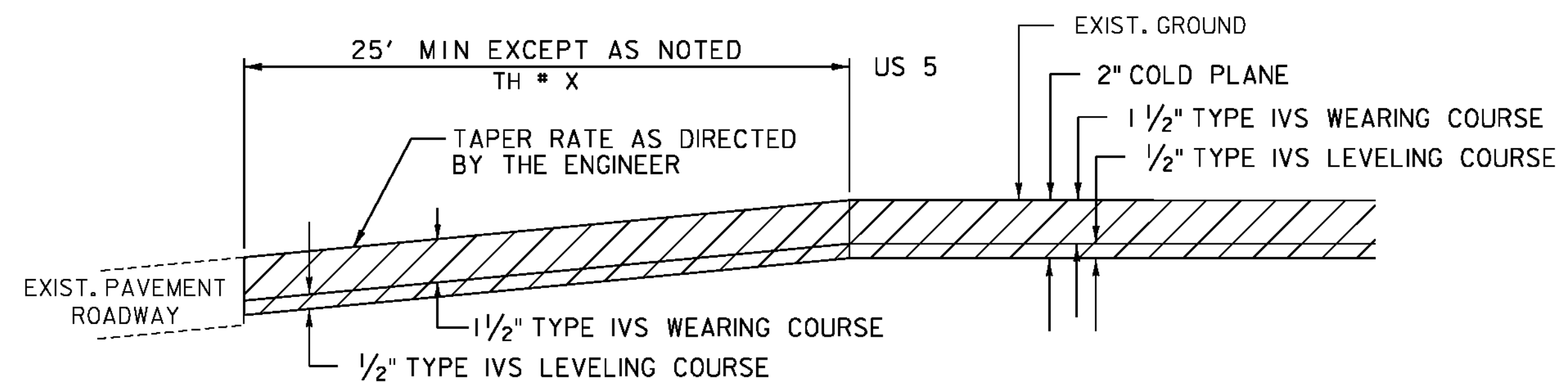
- WESTMINSTER - W310+20 TO W321+10
- WESTMINSTER - W425+35 TO W434+35
- VT 123 - A3+50 TO A3+75 (RAILROAD UNDERPASS)
- WESTMINSTER STATE HIGHWAY - C0+00 TO C3+45
- WESTMINSTER STATE HIGHWAY - C38+00 TO C40+65
- WESTMINSTER STATE HIGHWAY APPROACH - D0+00 TO D4+53



**APPROACH AREA DETAIL - MAINLINE IN COLD PLANE AREAS**

LOCATION

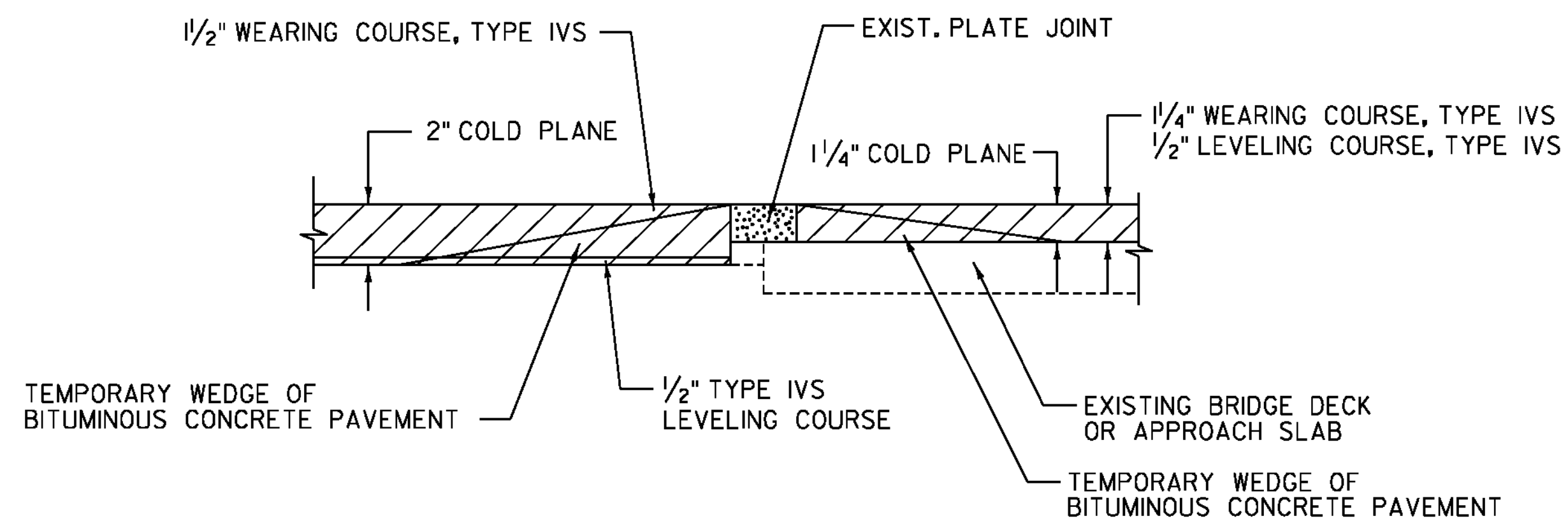
- US 5 - W434+35
- WESTMINSTER STATE HIGHWAY - C0+00



**APPROACH AREA DETAIL FOR PAVED TOWN HIGHWAYS IN COLD PLANE AND OVERLAY AREAS**

LOCATION

- TH 79 - W426+50 LT (COOLIDGE ST)
- TH 25 - D4+94 LT (HENWOOD HILL)



**BRIDGE APPROACH & COLD PLANE DETAIL**

LOCATION

- BRIDGE 33 - W427+60
- W431+97

NOT TO SCALE

PROJECT NAME: PUTNEY-WESTMINSTER

PROJECT NUMBER: STP 2946(1)

FILE NAME: zllc344typ.dgn

PROJECT LEADER: P. SHEDD

DESIGNED BY: N. LEMAY

PROJECT TYPICAL SHEET 3

PLOT DATE: 12/10/2013

DRAWN BY: W. GORDON

CHECKED BY: P. SHEDD

SHEET 6 OF 138