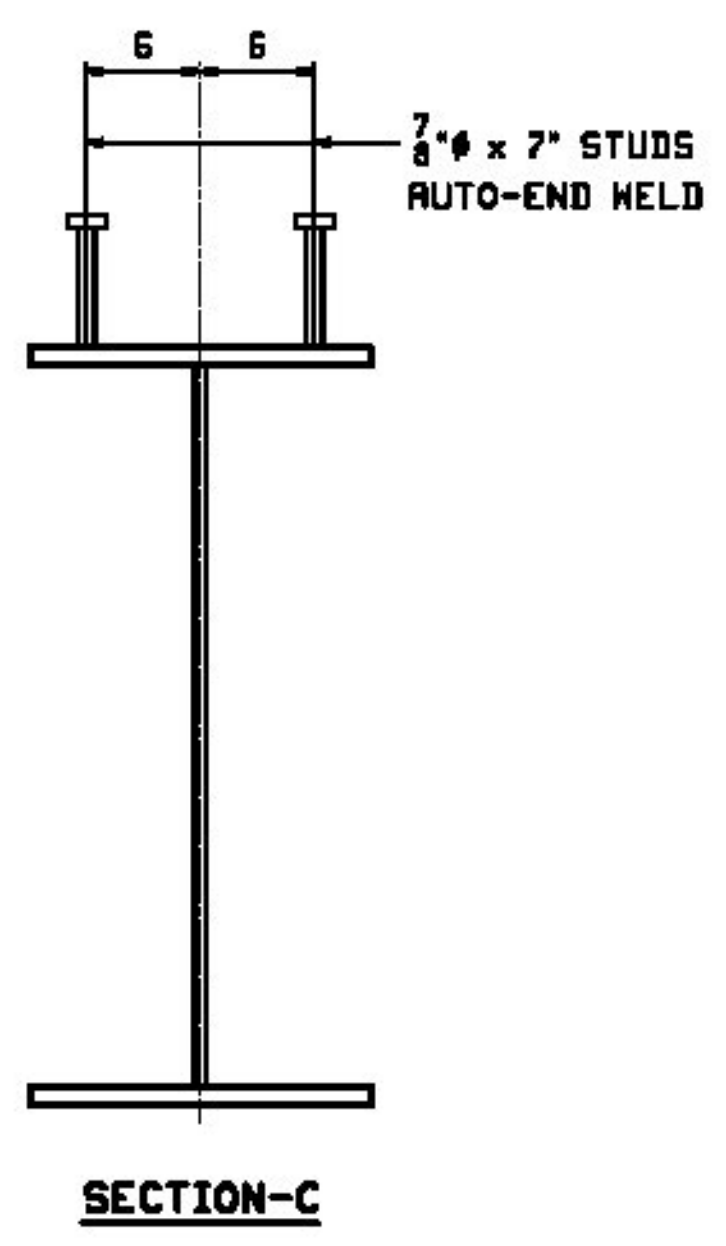
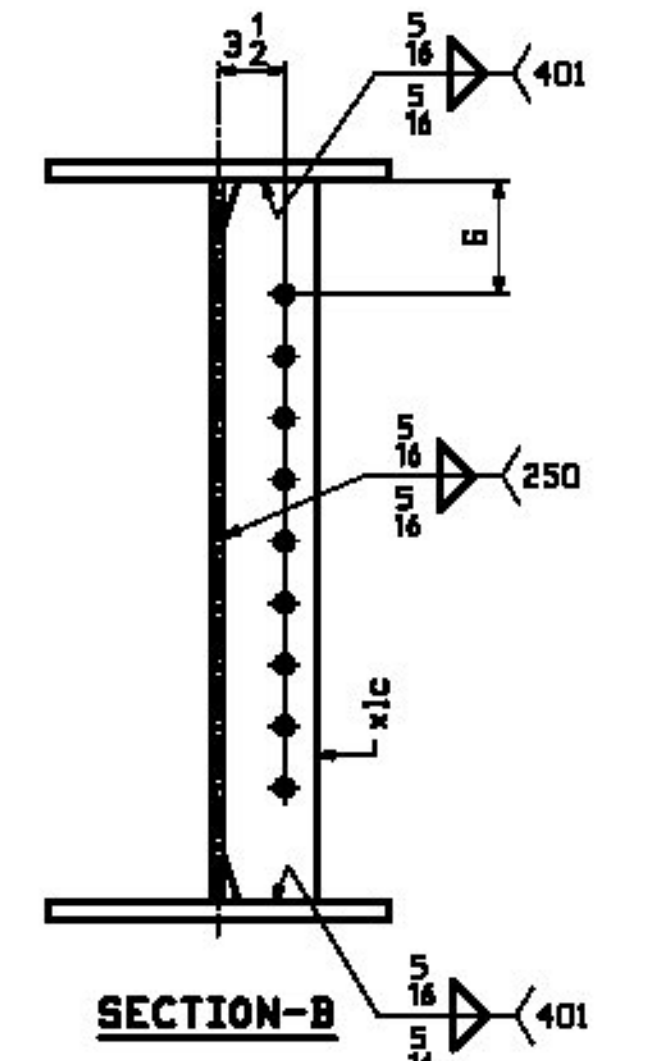
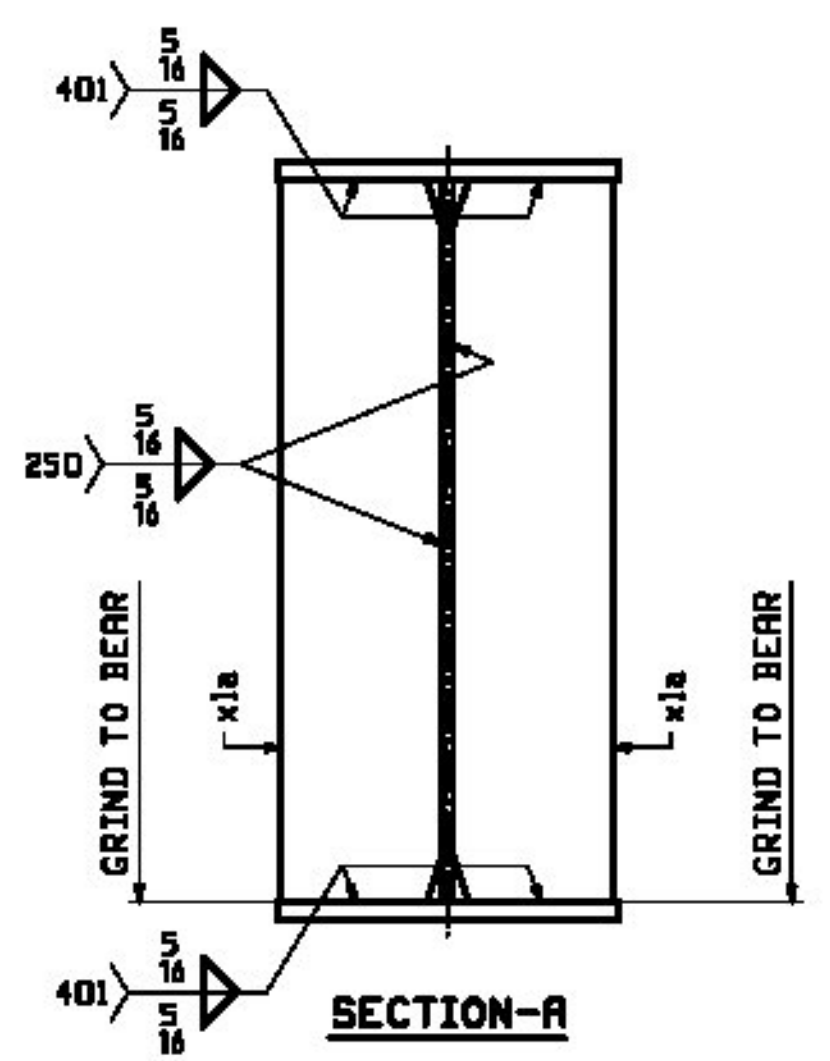
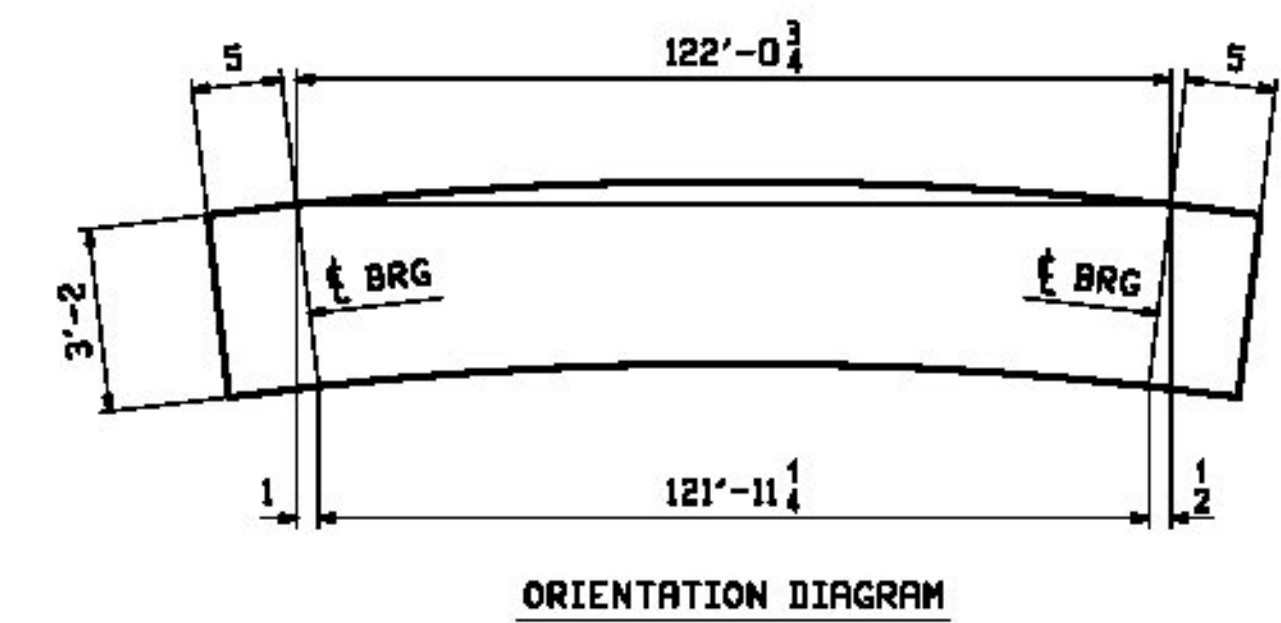


ONE ~ GIRDER ~ SG6

- NOTES:
 1. FOR GENERAL NOTES SEE SHEET GN1.
 2. FOR GIRDER STANDARD DETAILS SEE SHEET X1.
 3. FOR CAMBER & FLANGE DIAGRAM SEE SHEET C1.
 4. T2 - DENOTES CHARPY V-NOTCH TESTING REQUIRED.

JOB NO.		DRAWING NO.		REV.			
941		5					
PKG	LINE	MARK	QTY	MARK	REMARKS	MT	PROCUREMENT NOTES
		SG6	1		GIRDER	23052	
1	J		1	wa	PL 1/2 x 38	61	8703-SQUTZ 3976
1	J		1	wb	PL 1/2 x 38	61	8703-SQUTZ 3970
1	S		1	ta	PL 7/8 x 18	40	11 2193
1	O		1	tb	PL 7/8 x 18	81	11 4394
1	G		1	ba	PL 7/8 x 18	33	5 1791
1	C		1	bb	PL 1 1/4 x 18	56	D 8703-SQUTZ 4288
1	G		1	bc	PL 7/8 x 18	33	4 1788
2	B		4	xa	PL 3/4 x 9 1/2	3	2 NIP 69
2	C		6	xc	PL 1/2 x 5	3	2 27
4	B		154		STUD 1/2"	0	7 1



REV.	DATE	REMARKS	DWN	CHK	APVL	SHOP
0						
MATERIAL:		A709-50H	SURFACE PREP. & PAINT: SEE GN1		HOLES: 15/16\"/>	
DESCRIPTION:		GIRDER ~ SG6				
STRUCTURE:		VT RTE 131 OVER TWENTYMILE STREAM		DRAWN:	DATE: 11/21	
HINDSOR COUNTY		VERMONT AGENCY OF TRANSPORTATION		CHKD:	DATE: 11/25	
LOCATION:		CAVENDISH, VERMONT		JOB NO.	541	
PROJ NO.		ER BRF 0146(13)		DWG NO.	5	
CUSTOMER:		COLD RIVER BRIDGES, LLC		REV.	A	