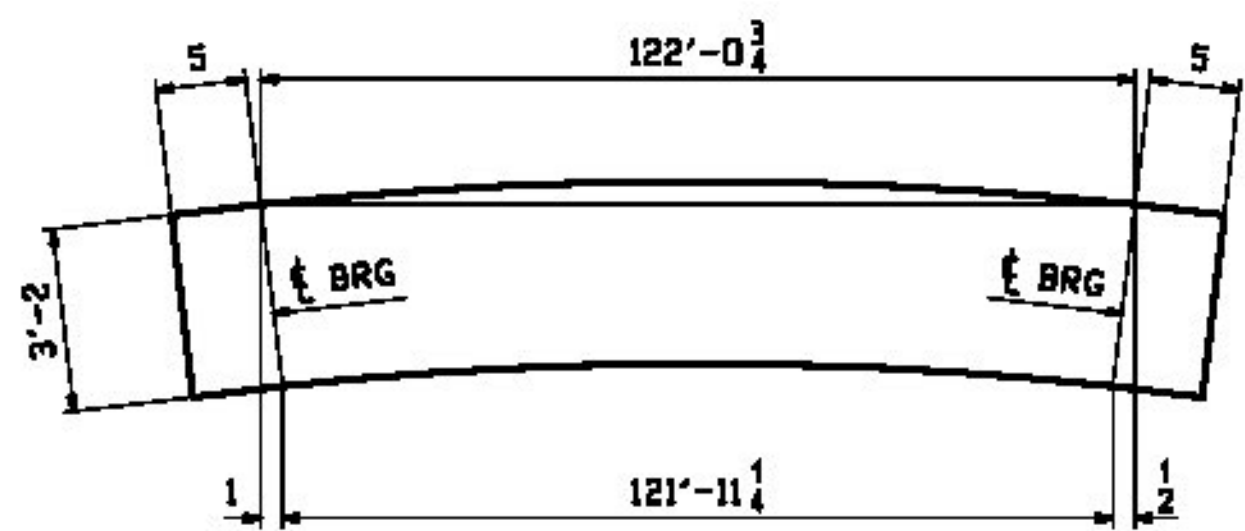


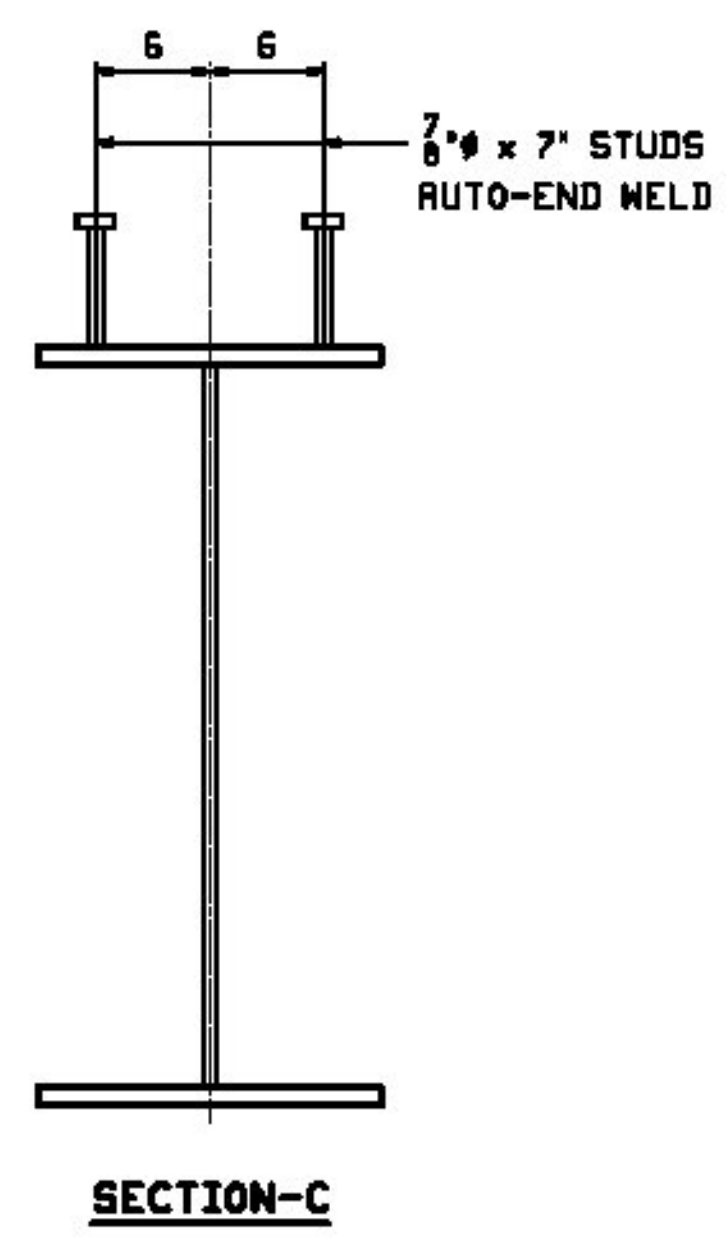
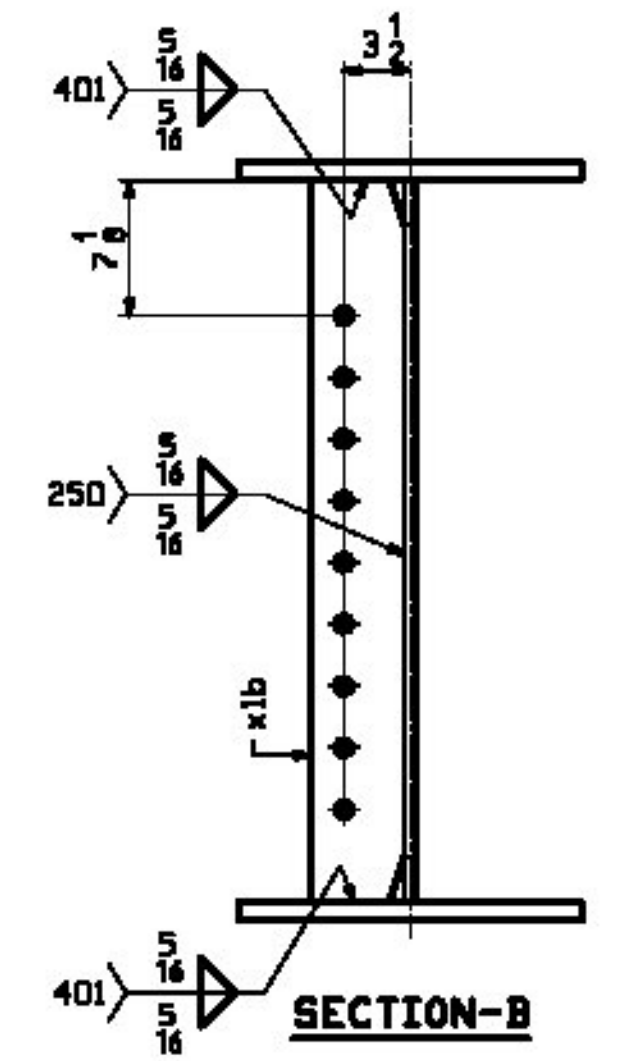
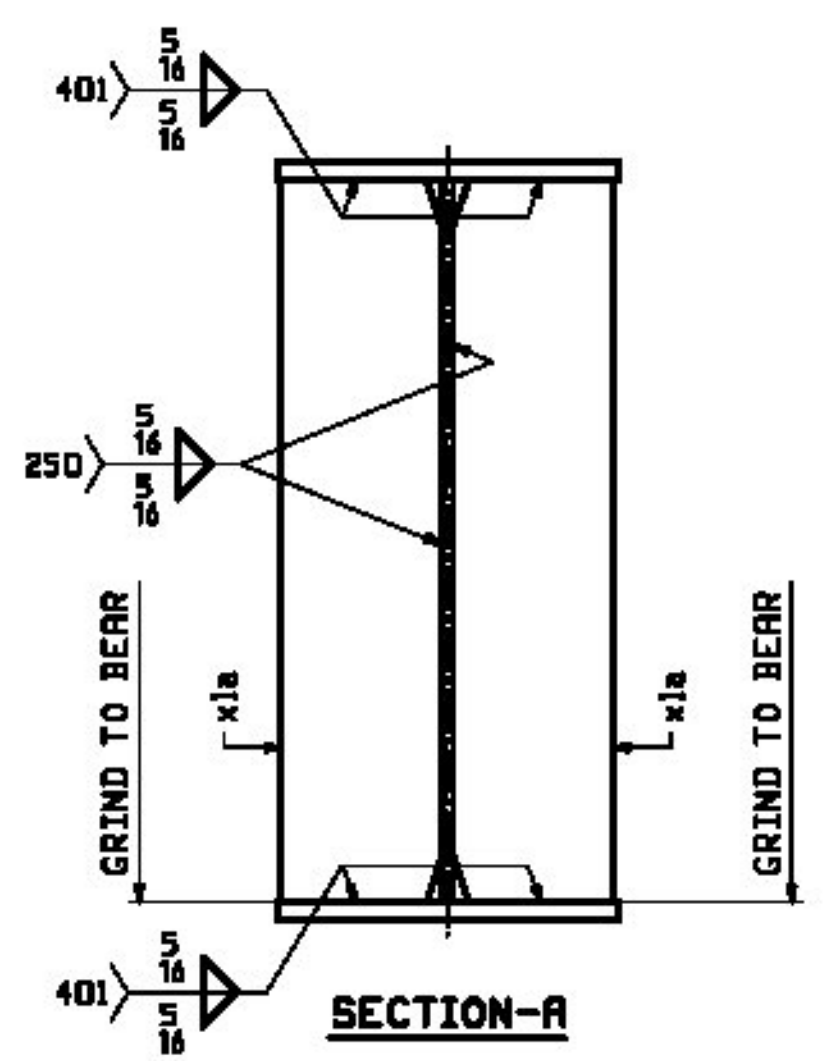
ONE ~ GIRDER ~ 4G5
 ONE ~ GIRDER ~ 4G7

NOTES:
 1. FOR GENERAL NOTES SEE SHEET GNI.
 2. FOR GIRDER STANDARD DETAILS SEE SHEET XI.
 3. FOR CAMBER & FLANGE DIAGRAM SEE SHEET CI.
 4. T2 - DENOTES CHARPY V-NOTCH TESTING REQUIRED.

RAW INFO		BILL OF MATERIAL				JOB NO.	DRAWING NO.	REV.
PRICE	LINE	MARK	QTY	MARK	DESCRIPTION	541	4	
	4G5	1		GIRDER			23052	
	4G7	1		GIRDER			23052	
1	J	2	wa	PL 1/2 x 3/8	61 5 1/2	A709-SHWT2	3575	
1	7	2	wb	PL 1/2 x 3/8	61 4 7/8	A709-SHWT2	3570	
1	S	2	ta	PL 7/8 x 1/8	40 11	A709-SHWT2	2193	
1	Q	2	tb	PL 7/8 x 1/8	81 11 3/4	A709-SHWT2	4394	
1	G	2	ba	PL 7/8 x 1/8	33 5	A709-SHWT2	1791	
1	C	2	bb	PL 1 1/4 x 1/8	56 0	A709-SHWT2	4288	
1	G	2	bc	PL 7/8 x 1/8	33 4 1/4	A709-SHWT2	1788	
2	B	8	x1a	PL 3/4 x 8 1/2	3 2	MIS	65	
2	C	12	x1b	PL 1/2 x 3	3 2		27	
4	B	328	STUD 1/2 x 6	0 7	MS		1	



ORIENTATION DIAGRAM



REV.	DATE	REMARKS	DWN	CHK	APVL	SHOP			
0									
MATERIAL:		A709-SDH	SURFACE PREP. & PAINT:		SEE GNI	HOLES:	1 1/2 x 3/8 U.N.	SHOP BOLTS:	NONE
DESCRIPTION:		GIRDERS ~ 4G5 & 4G7							
CASCO BAY STEEL STRUCTURES, INC.						PHONE (207) 780-6722		DATE: 11/21	
1 WALLACE AVE.						SOUTH PORTLAND, ME 04106		DATE: 11/25	
FAX (207) 780-6726						DRAWN: EEO		DATE: 11/25	
STRUCTURE: VT RTE 131 OVER TWENTYMILE STREAM						HINDSOR COUNTY		VERMONT AGENCY OF TRANSPORTATION	
LOCATION: CAVENDISH, VERMONT						JOB NO. 541		DWG NO. 4	
PROJ NO. ER BRF 0146(13)						CUSTOMER: COLD RIVER BRIDGES, LLC		REV. 4	