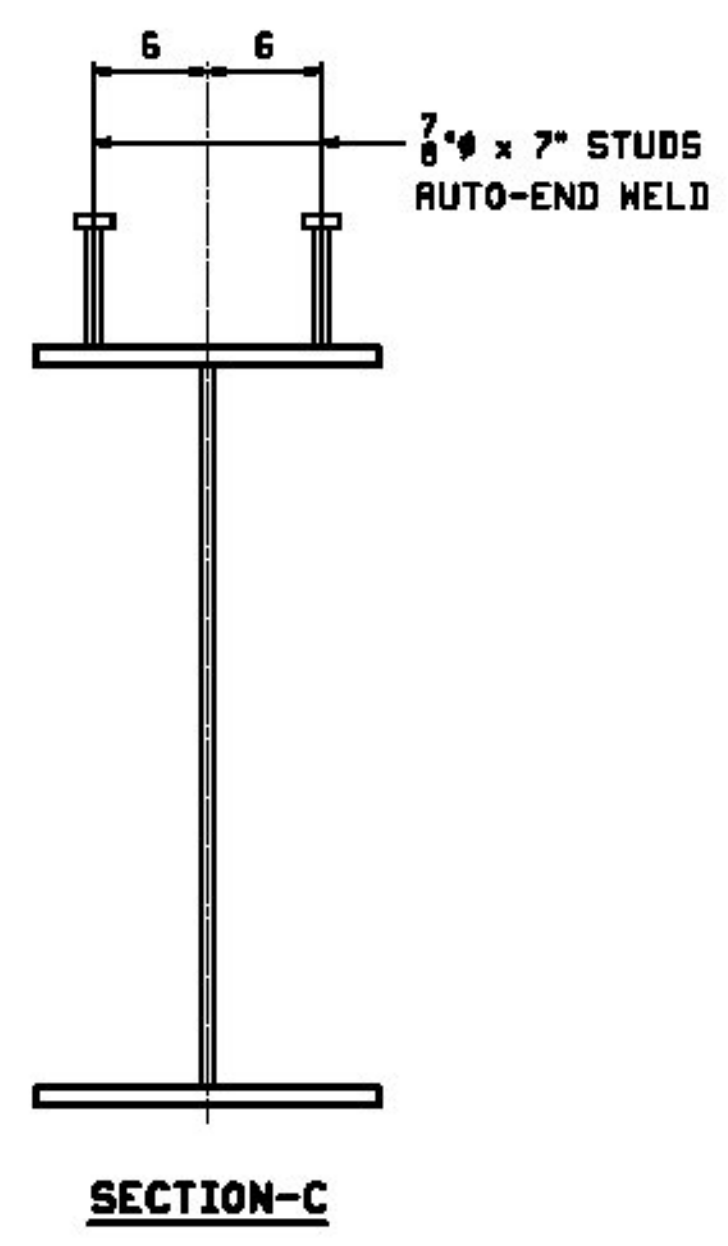
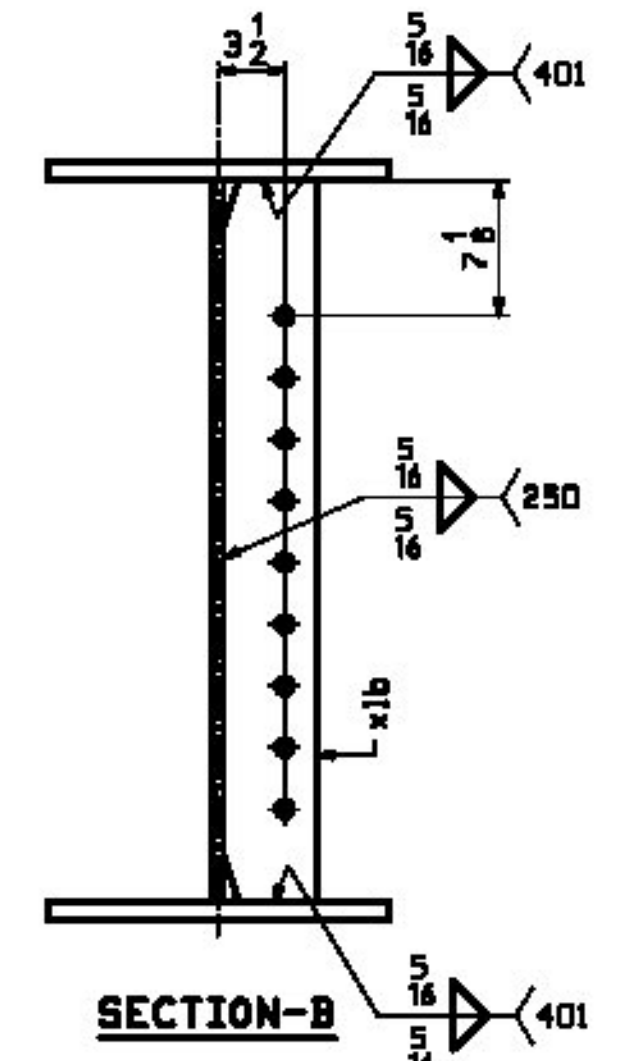
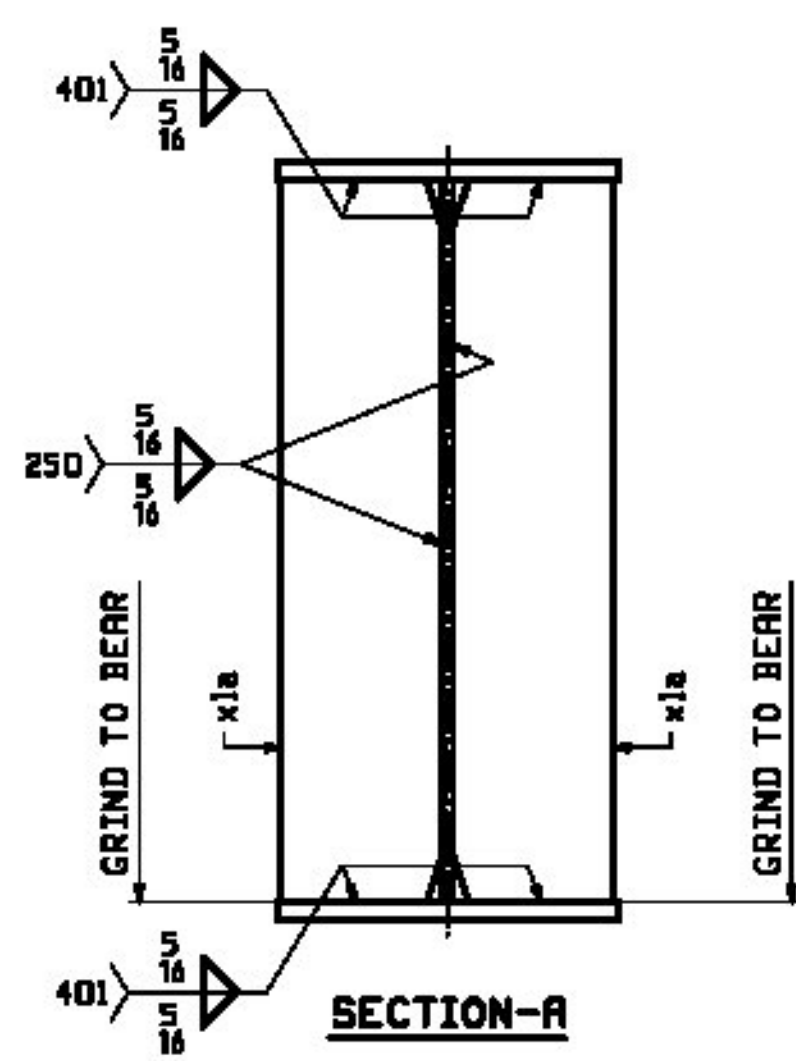
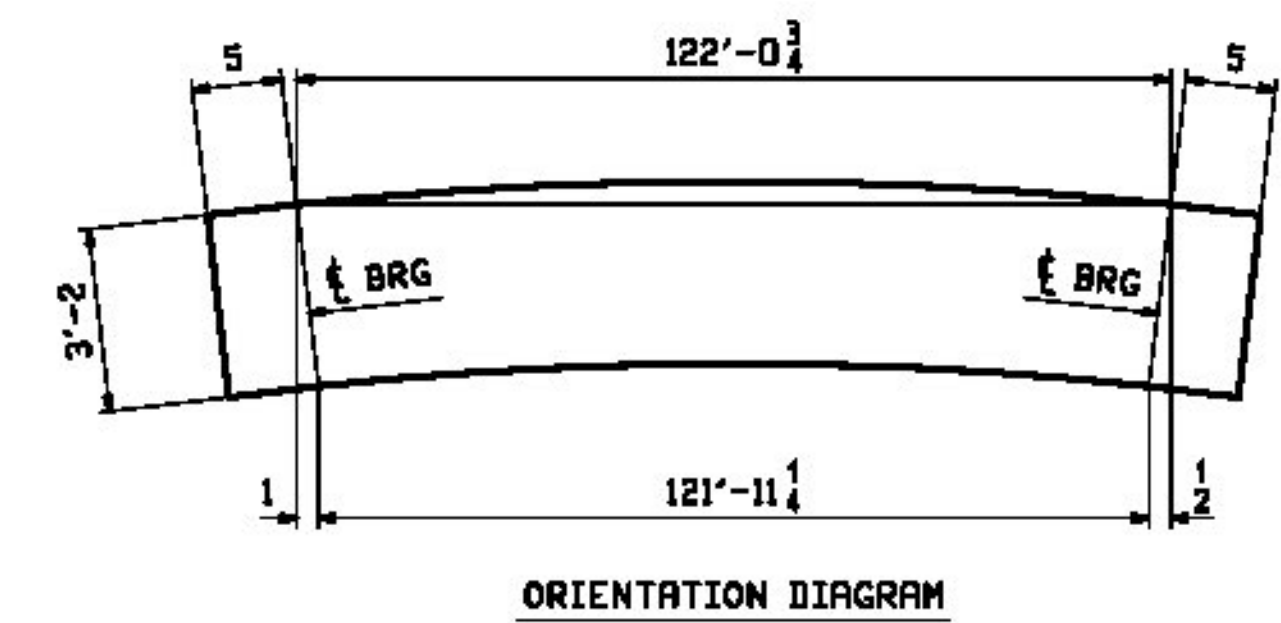


ONE ~ GIRDER ~ 2G2
 ONE ~ GIRDER ~ 2G4

- NOTES:
 1. FOR GENERAL NOTES SEE SHEET GN1.
 2. FOR GIRDER STANDARD DETAILS SEE SHEET X1.
 3. FOR CAMBER & FLANGE DIAGRAM SEE SHEET C1.
 4. T2 - DENOTES CHARPY V-NOTCH TESTING REQUIRED.



ROW INFO	SHOP	BILL OF MATERIAL				JOB NO.		DRAWING NO.		REV.
		MARK	QTY	MARK	UNIT	941	2	23052	23052	
PRICE	LINE	MARK	QTY	MARK	UNIT	REMARKS	MT	PROCUREMENT NOTES		
		2G2	1		GIRDER					
		2G4	1		GIRDER					
	1	J	2	wa	PL 1/2 x 3/8	61 5/16		A709-SHWZ	3575	
	1	7	2	wb	PL 1/2 x 3/8	61 4/8		A709-SHWZ	3570	
	1	S	2	ta	PL 7/8 x 1/8	40 1/2		A709-SHWZ	2193	
	1	Q	2	tb	PL 7/8 x 1/8	61 11/16		A709-SHWZ	4394	
	1	G	2	ba	PL 7/8 x 1/8	33 5/8		A709-SHWZ	1791	
	1	C	2	bb	PL 1 1/4 x 1/8	56 0		A709-SHWZ	4288	
	1	G	2	bc	PL 7/8 x 1/8	33 4/4		A709-SHWZ	1788	
	2	B	8	x1a	PL 3/4 x 8 1/2	3 2		MIS	65	
	2	C	12	x1b	PL 1 1/2 x 3	3 2			27	
	4	B	328	STUD 7/8	0 7				1	



REV.	DATE	REMARKS	DWN	CHK	APVL	SHOP
0						
MATERIAL:		A709-SHWZ	SURFACE PREP. & PAINT: SEE GN1		HOLES: 15/16 U.N. SHOP BOLTS: NONE	
DESCRIPTION: GIRDERS ~ 2G2 & 2G4						
CASCO BAY STEEL STRUCTURES, INC. 1 WALLACE AVE. SOUTH PORTLAND, ME 04106 PHONE (207) 780-6722 FAX. (207) 780-6726						
STRUCTURE: VT RTE 131 OVER TWENTYMILE STREAM WINDSOR COUNTY VERMONT AGENCY OF TRANSPORTATION				DRWN: EEO	DATE: 11/21	
LOCATION: CAVENDISH, VERMONT				CHKD: DO	DATE: 11/25	
PROJ NO. ER BRF 0146(13)				JOB NO. 541		DWG NO. 2
CUSTOMER: COLD RIVER BRIDGES, LLC						REV. 1