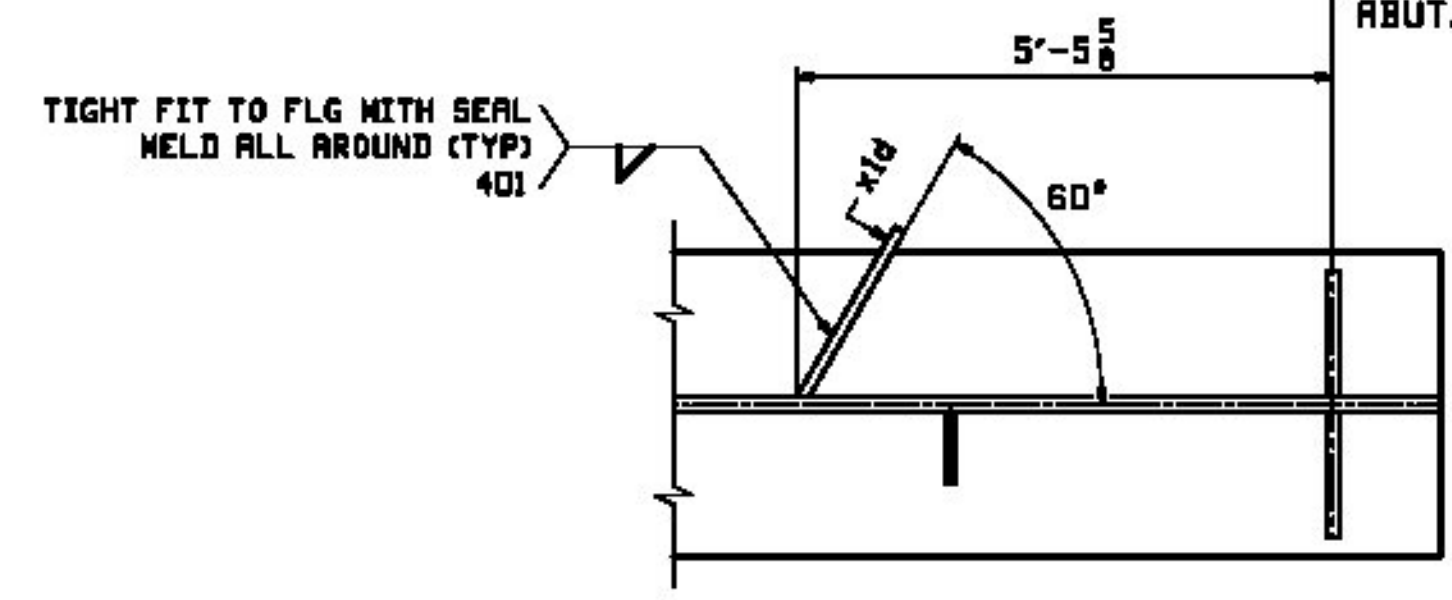
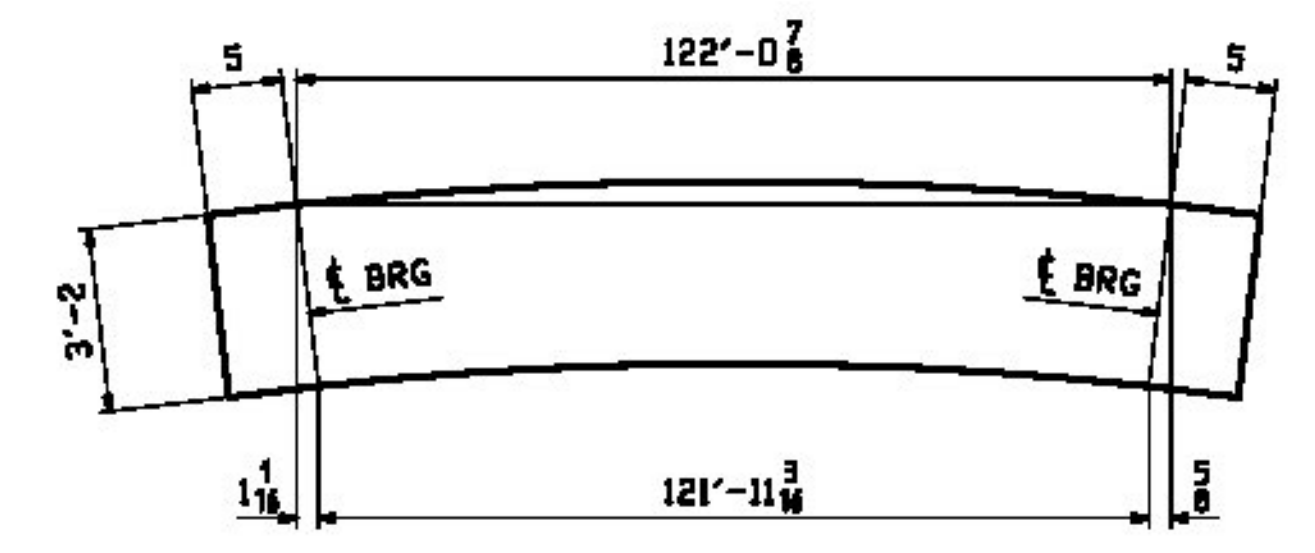


**ONE ~ GIRDER ~ 1G1**

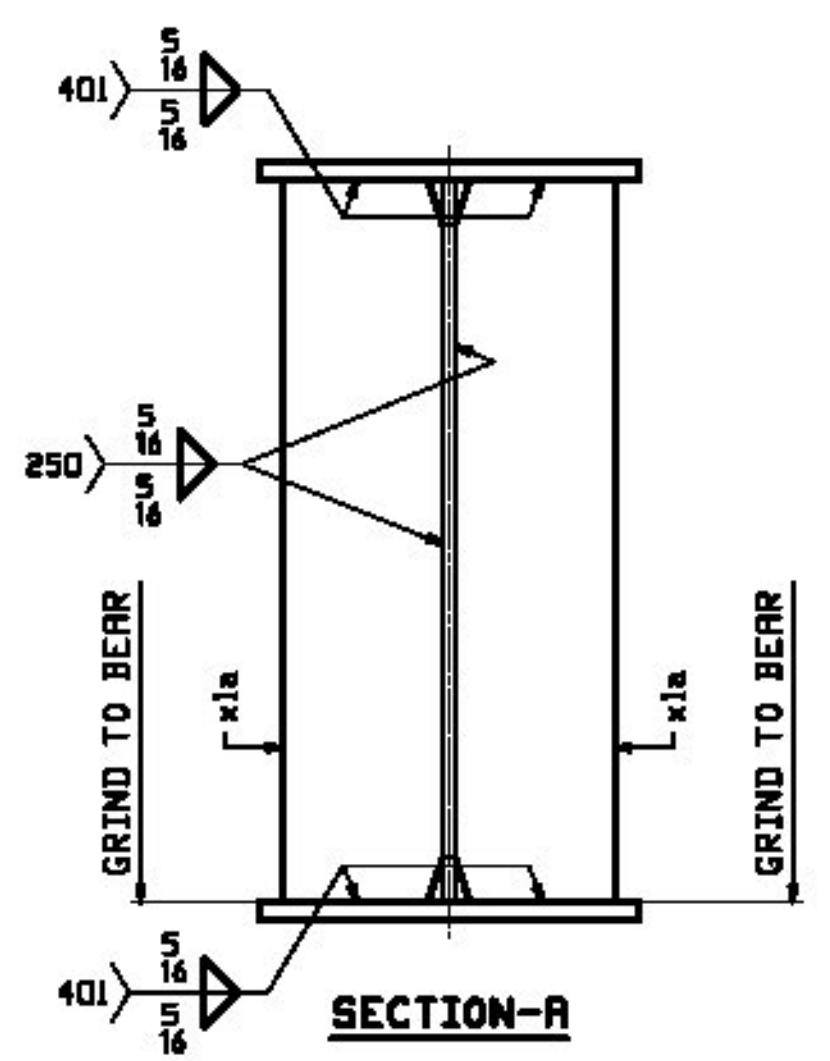
- NOTES:  
 1. FOR GENERAL NOTES SEE SHEET GN1.  
 2. FOR GIRDER STANDARD DETAILS SEE SHEET XI.  
 3. FOR CAMBER & FLANGE DIAGRAM SEE SHEET CI.  
 4. T2 - DENOTES CHARPY V-NOTCH TESTING REQUIRED.



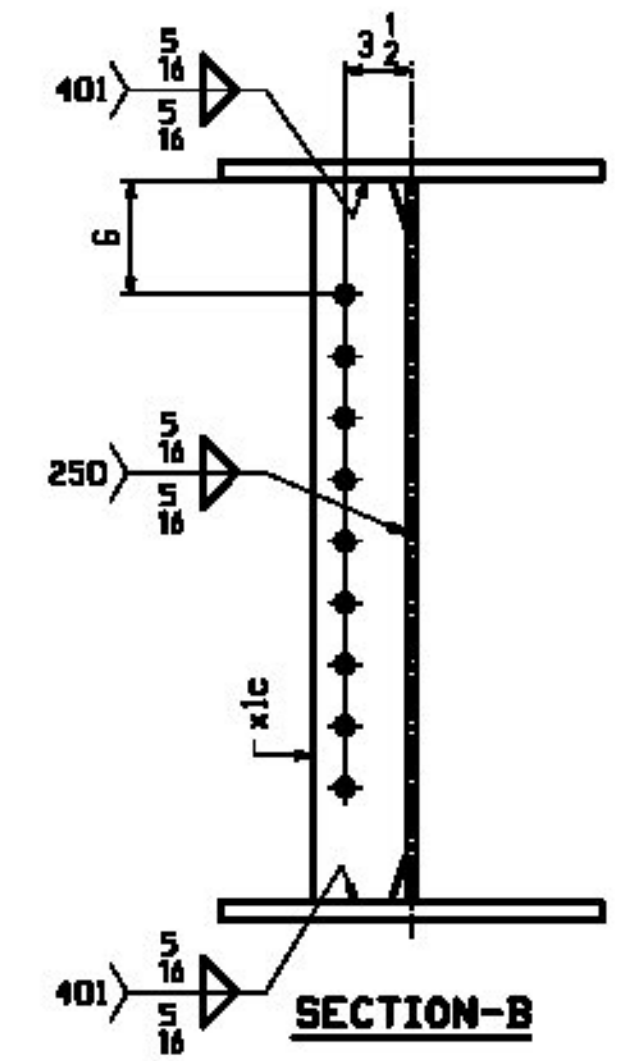
**SECTION BR-BR**



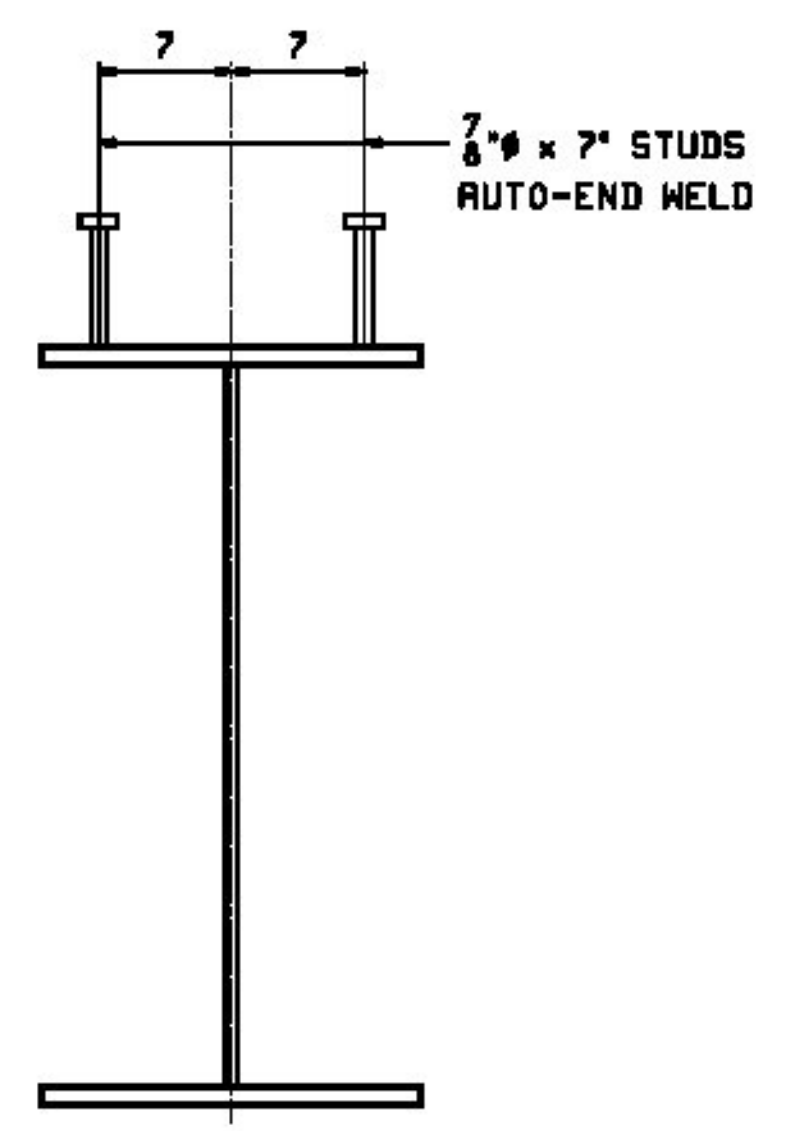
**ORIENTATION DIAGRAM**



**SECTION-A**



**SECTION-B**



**SECTION-C**

JOB NO.		DRAWING NO.		REV.	
941		1			
ITEM	QTY	UNIT	DESCRIPTION	REMARKS	MT
1	1	IG1	GIRDER		24651
1	1	wa	PL 1/2 x 38	61 5 1/2	3977
1	1	wb	PL 1/2 x 38	61 4 7/8	3970
1	1	ta	PL 7/8 x 20	40 11	2437
1	1	tb	PL 7/8 x 20	81 11 7/8	4862
1	1	ba	PL 7/8 x 20	33 5	1890
1	1	bb	PL 1 1/4 x 20	56 0	4764
1	1	bc	PL 7/8 x 20	33 4 1/2	1886
2	4	x1a	PL 3/4 x 9 1/2	3 2	69
2	6	x1c	PL 1/2 x 5	3 2	27
2	1	x1d	PL 1/2 x 2 1/2	1 1 1/2	3
4	154	STUD	7/8 x 7	0 7	1

REV.	DATE	REMARKS	DWN	CHK	APVL	SHOP
0						
MATERIAL:		A709-50H	SURFACE PREP. & PAINT: SEE GN1		HOLES: 15/16 U.N. SHOP BOLTS: NONE	
DESCRIPTION: GIRDER ~ 1G1						
CASCO BAY STEEL STRUCTURES, INC. 1 WALLACE AVE. PHONE (207) 780-6722 SOUTH PORTLAND, ME 04106 FAX. (207) 780-6726						
STRUCTURE: VT RTE 131 OVER TWENTYMILE STREAM WINDSOR COUNTY VERMONT AGENCY OF TRANSPORTATION				DRWN: EEO	DATE: 11/21	
				CHKD: DO	DATE: 11/25	
LOCATION: CAVENDISH, VERMONT				JOB NO. 541	DWG NO. 1	
PROJ NO. ER BRF 0146(13)						
CUSTOMER: COLD RIVER BRIDGES, LLC						REV. 1