

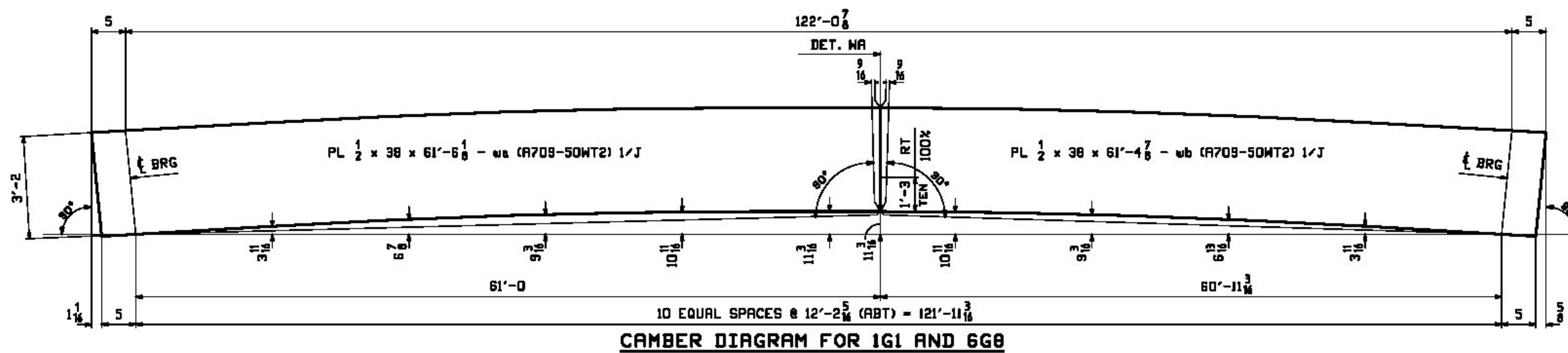
Vermont Agency of Transportation

RECEIVED

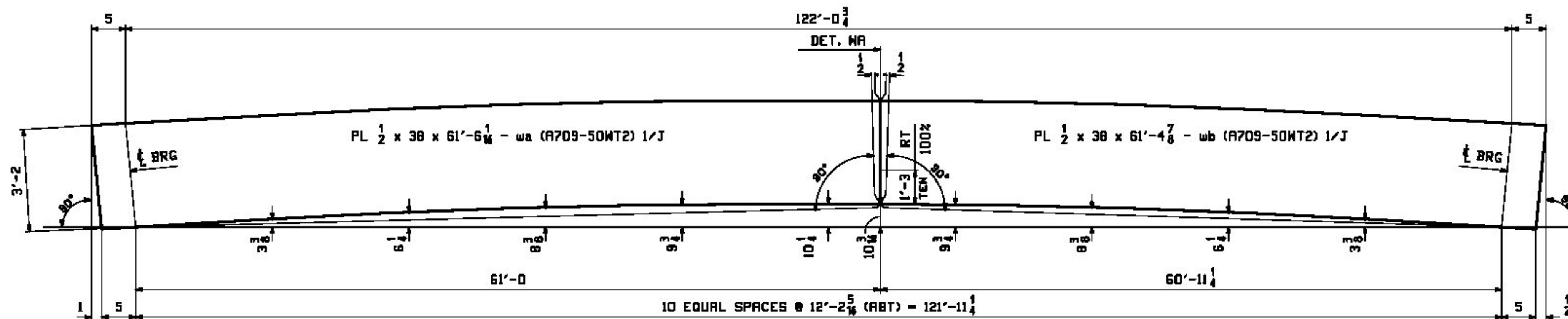
ON: December 2, 2013

and Checked for
CONFORMANCE

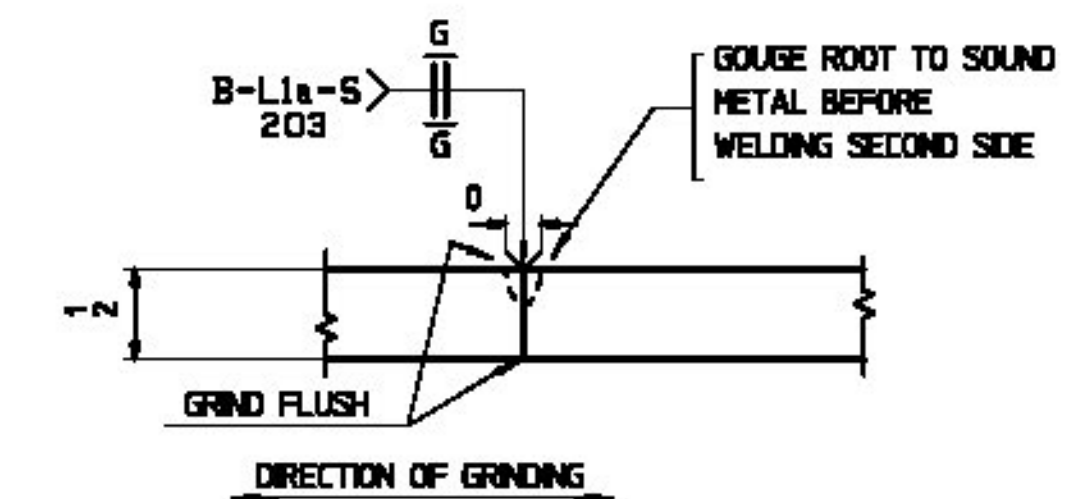
BY: Rob Young DATE: 12/18/2013



CAMBER DIAGRAM FOR 1G1 AND 6G8



CAMBER DIAGRAM FOR 2G2, 3G3, 2G4, 4G5, 5G6, 4G7

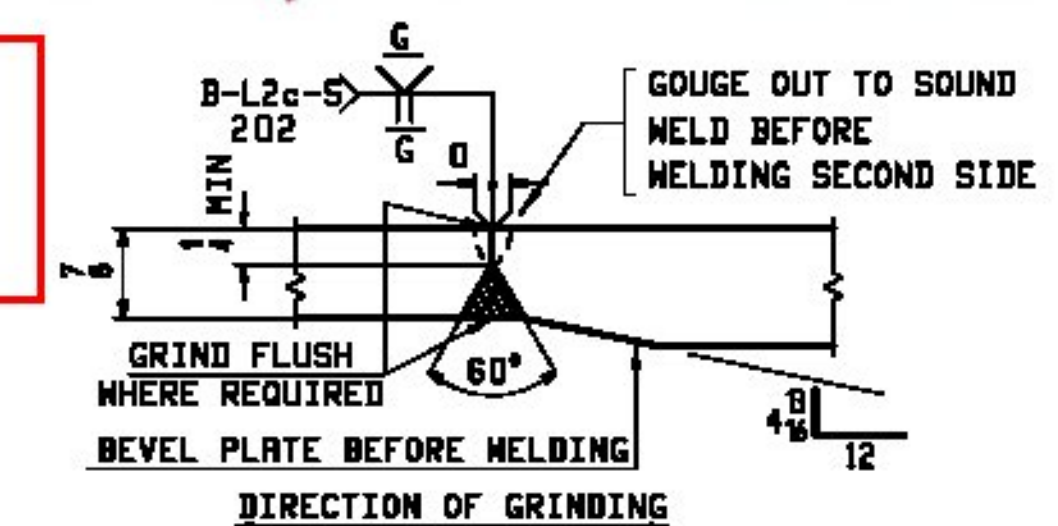


WEB PLATE SPICE DETAIL 'WA'

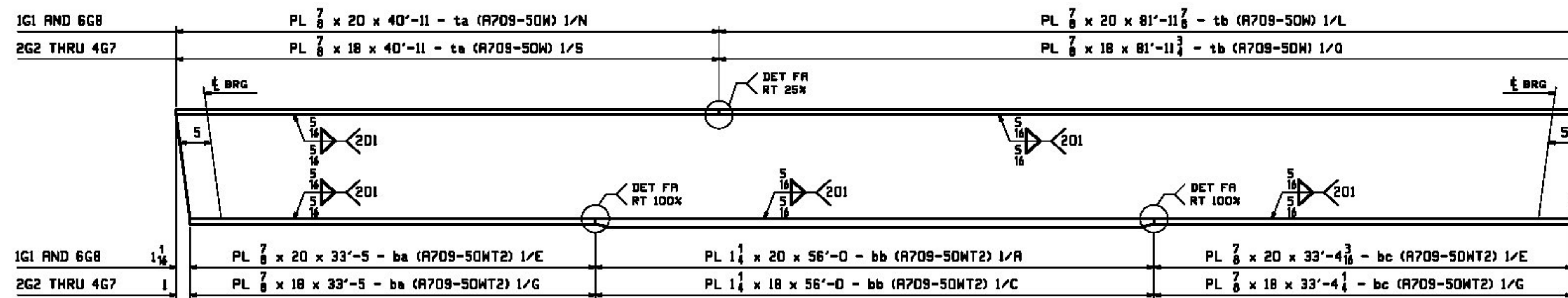
No Exception Taken
 Make Correction as Noted
 Submit Specified Item
 Revise and Resubmit as Noted
 Rejected

T-Y-LININTERNATIONAL
 Checking is for general compliance with the design concept of the project and general compliance with the information given in the contract documents only. Any action shown is not an approval and is subject to the requirements of the plans and specifications. Any action shown on a specific item shall not indicate the checking of an assembly of which the item is a component. Contractor is solely responsible for: dimensions which shall be confirmed and corrected at the job site, fabrication processes, techniques of construction, safety precautions and coordination of its work with that of all other trades and the satisfactory performance of its work.
 Reviewed By: *[Signature]* Date: 12/11/2013

THERE IS NO NEED TO RESUBMIT. PLEASE NOTE MINOR COMMENTS ON GN1.



FLANGE PLATE SPICE DETAIL 'FA'



FLANGE DIAGRAM FOR 1G1, 2G2, 3G3, 2G4, 4G5, 5G6, 4G7, 6G8

NOTES:

FOR GENERAL NOTES SEE DRAWING GN1.
T2 - DENOTES MATERIAL SUBJECT TO CHARPY V-NOTCH TEST FOR ZONE 2.

REV.	DATE	REMARKS	DWN	CHK	APVL	SHOP
0						
MATERIAL:		SURFACE PREP. & PAINT:	HOLES:		SHOP BOLTS:	
			AS NOTED		AS NOTED	
DESCRIPTION: CAMBER AND FLANGE DIAGRAMS						
CASCO BAY STEEL STRUCTURES, INC.						
1 WALLACE AVE.			PHONE (207) 780-6722		TEMBOR 5024	
SOUTH PORTLAND, ME 04106			FAX. (207) 780-6726			
STRUCTURE: VT RTE 131 OVER TWENTYMILE STREAM				DRWN:	DATE:	
HINDSOR COUNTY				ELG	09/20	
VERMONT AGENCY OF TRANSPORTATION				CHKD:	DATE:	
				RLA	10/03	
LOCATION: CAVENDISH, VERMONT				JOB NO.	DWG NO.	
PROJ NO. ER BRP 0146(13)				541	C1	
CUSTOMER: COLD RIVER BRIDGES, LLC					REV. <input type="checkbox"/>	