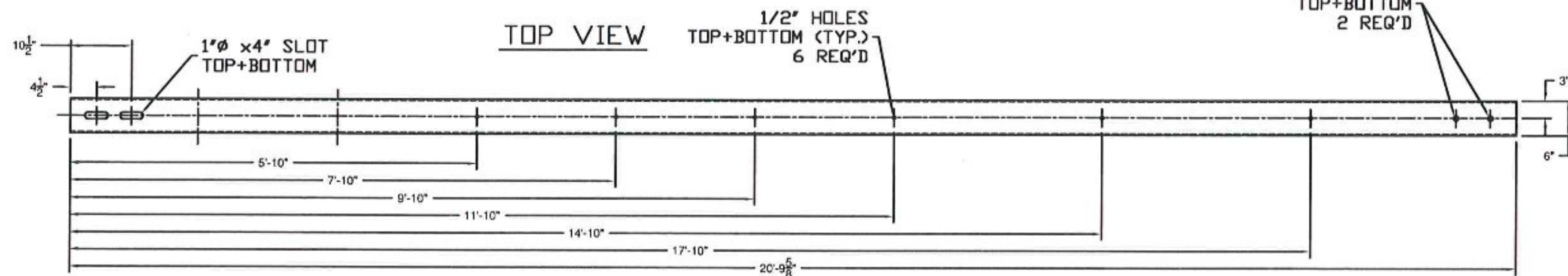


* - THIS LENGTH TO BE COORDINATED W/ THE GUARDRAIL MATERIAL TO BE USED
FIRST 9' IS PAID UNDER BRIDGE RAIL ITEM, REMAINDER IS GUARDRAIL ITEM

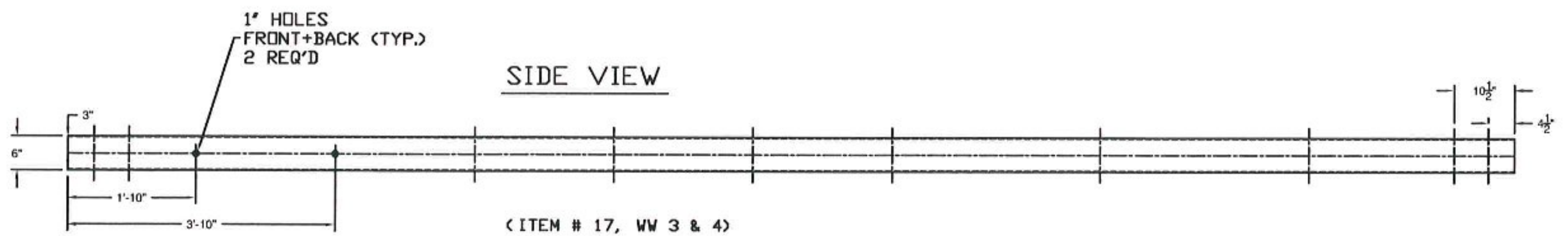
(ITEM # 16 - WV 3 & 4)



TOP VIEW

1/2" HOLES
TOP+BOTTOM (TYP.)
6 REQ'D

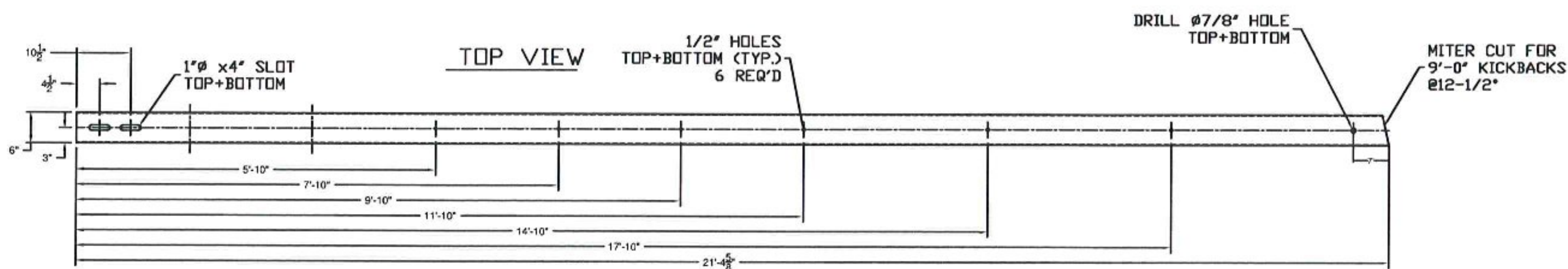
Ø 7/8" HOLE
TOP+BOTTOM
2 REQ'D



SIDE VIEW

1" HOLES
FRONT+BACK (TYP.)
2 REQ'D

(ITEM # 17, WV 3 & 4)

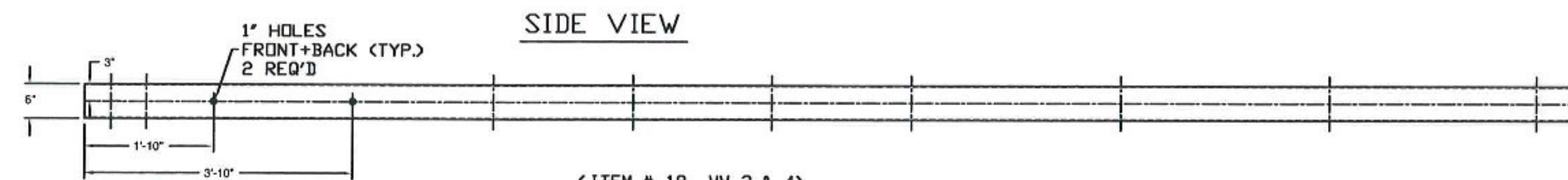


TOP VIEW

1/2" HOLES
TOP+BOTTOM (TYP.)
6 REQ'D

DRILL Ø 7/8" HOLE
TOP+BOTTOM

MITER CUT FOR
9'-0" KICKBACKS
@ 12-1/2"



SIDE VIEW

1" HOLES
FRONT+BACK (TYP.)
2 REQ'D

(ITEM # 18, WV 3 & 4)

Vermont Agency of Transportation

RECEIVED

ON: February 28, 2014

and Checked for

CONFORMANCE

BY: Rob Young DATE: 03/07/2014

T.Y. LIN INTERNATIONAL

THE STAMPED DOCUMENTS ARE HEREBY:

- APPROVED
- APPROVED AS NOTED
- REVISE AND RESUBMIT

SEE TRANSMITTAL FOR ADDITIONAL INFORMATION AS APPLICABLE.

THIS REVIEW IS FOR GENERAL CONFORMANCE WITH DESIGN CONCEPT ONLY. ANY DEVIATION FROM THE PLANS OR SPECIFICATIONS NOT CLEARLY NOTED BY THE CONTRACTOR HAS NOT BEEN REVIEWED. REVIEW BY THE ENGINEER SHALL NOT RELIEVE THE CONTRACTOR OF THE CONTRACTUAL RESPONSIBILITY FOR ANY ERRORS OR DEVIATION FROM THE CONTRACT REQUIREMENTS.

JOSH OLUND
REVIEWER

02/28/2014
DATE

ITEM #: 621.725

F.R. LAFAYETTE, CAVENDISH

SHEET 9 OF 10

APPROVED BY:

GUARD RAIL TO BRIDGE RAIL TRANSITION DETAILS SHEET

CAVENDISH, ER BR# 0416 (13), ROUTE VT 131, OVER TWENTY MILE STREAM

VERMONT

R NO.	DATE	DESCRIPTION	BY	R NO.	DATE	DESCRIPTION	BY
E 1	2/17/14	REVISED PER 12/20/13 MARK-UP	EP				
V							

ELDERLEE, INC.
OAKS CORNERS, NEW YORK 14518
E-Mail: dlong@elderlee.com
Tel: 315-789-8670 Fax: 315-789-8615

DRAWN	E.P.	11/13/13
CHECKED	D.L.	11/20/13
APPROVED		
SCALE	SCHEMATIC	
DRAWING NO. F.R. LAFAYETTE, CAVENDISH		