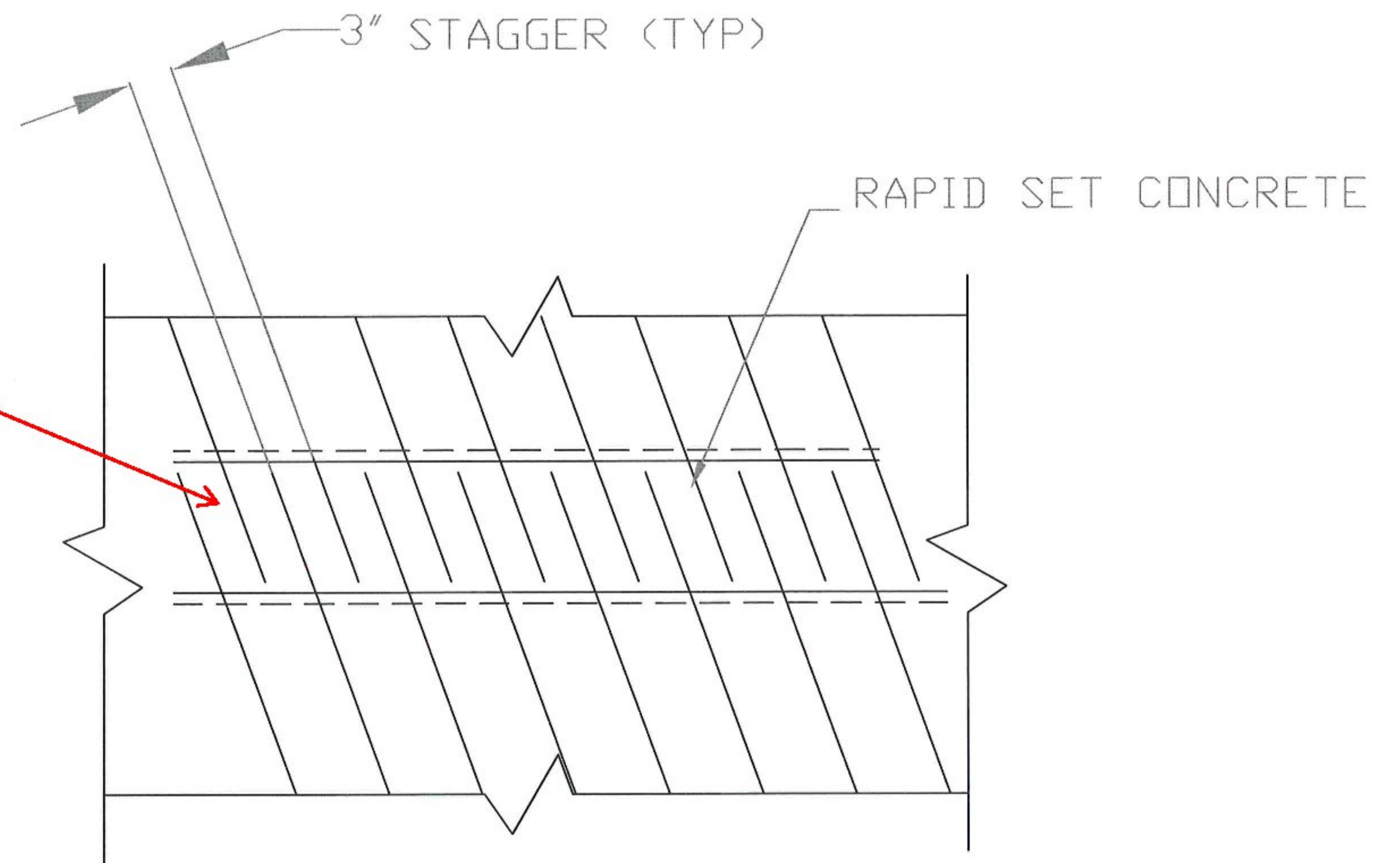


CLOSURE POUR SECTION



CLOSURE POUR PLAN

T.Y. LIN INTERNATIONAL

THE STAMPED DOCUMENTS ARE HEREBY:

- APPROVED
- APPROVED AS NOTED
- REVISE AND RESUBMIT

SEE TRANSMITTAL FOR ADDITIONAL INFORMATION AS APPLICABLE.

THIS REVIEW IS FOR GENERAL CONFORMANCE WITH DESIGN CONCEPT ONLY. ANY DEVIATION FROM THE PLANS OR SPECIFICATIONS NOT CLEARLY NOTED BY THE CONTRACTOR HAS NOT BEEN REVIEWED. REVIEW BY THE ENGINEER SHALL NOT RELIEVE THE CONTRACTOR OF THE CONTRACTUAL RESPONSIBILITY FOR ANY ERRORS OR DEVIATION FROM THE CONTRACT REQUIREMENTS.

JOSH OLLUND 03/21/2014
REVIEWER DATE

Vermont Agency of Transportation

RECEIVED

ON: **March 17, 2014**

and Checked for

CONFORMANCE

BY: Rob Young DATE: 03/24/2014

(REVISION #1 2/17/2014)

(REVISION #2 3/17/2014)

COLD RIVER BRIDGES, LLC
10 LANBRO LANE
WALPOLE, NH TEL 603-756-9300 FAX 603-756-9303

CAVENDISH ER BRF 0146(13)

CLOSURE POUR DETAILS

SHEET NUMBER

5

DATE: 2-17-14 Scale: