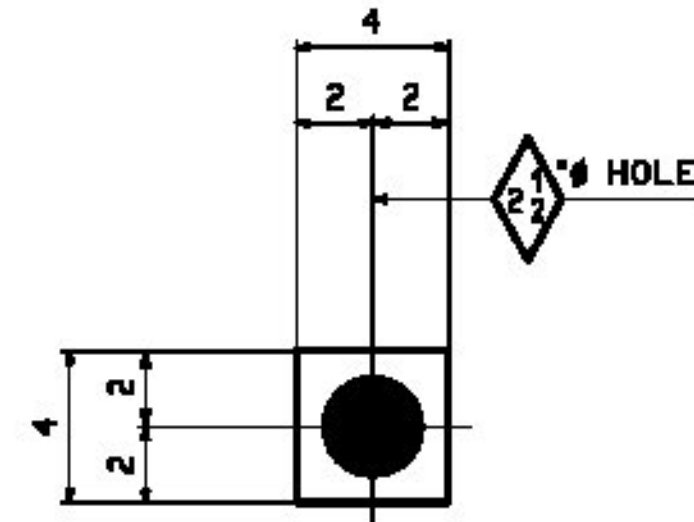
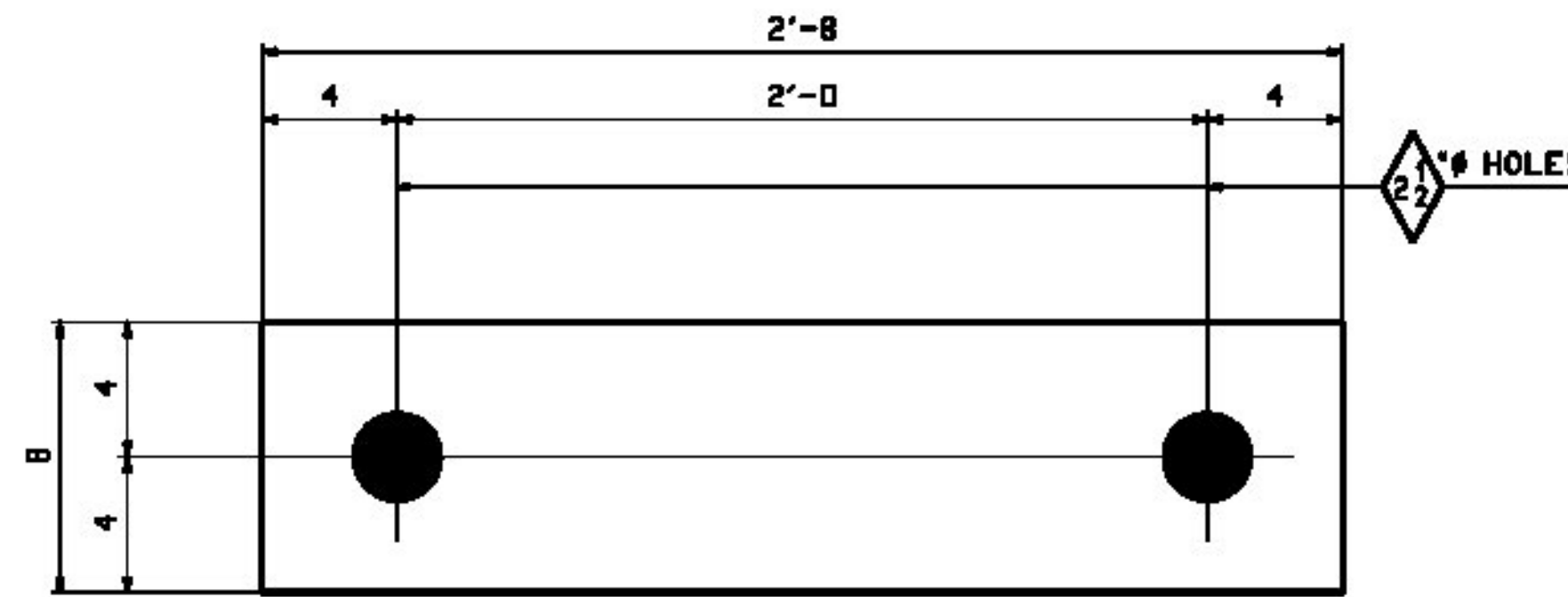


32 ~ ANCHOR BOLTS ~ 7A1



32 ~ PLATE WASHER ~ 7M1



16 ~ BEARING PLATE ~ 7M2

T-Y-LIN INTERNATIONAL

No Exception Taken
 Make Correction as Noted
 Submit Specified Item
 Revise and Resubmit as Noted
 Rejected

Checking is for general compliance with the design concept of the project and general compliance with the information given in the contract documents only. Any action shown is not an approval and is subject to the requirements of the plans and specifications. Any action shown on a specific item shall not indicate the checking of an assembly of which the item is a component. Contractor is solely responsible for dimensions which shall be confirmed and correlated at the job site, fabrication processes, techniques of construction, safety precautions and coordination of its work with that of all other trades and the satisfactory performance of its work.

Reviewed By: *[Signature]* Date: 12-03-2013

Vermont Agency of Transportation
RECEIVED
 ON: November 25, 2013
 and Checked for
CONFORMANCE
 BY: Rob Young DATE: 12/10/2013

JOB INFO		BILL OF MATERIAL				JOB NO.	DRAWING NO.	REV.		
PRICE	LINE	MARK	QTY	MARK	MATERIAL	LENGTH FT	THICKNESS	REMARKS	MT	PROCUREMENT NOTES
					ANCHOR BOLTS			WTLV.		34
3	B		32		2 # ROD	2 8		FJPM-38	29	
3	I		54		2 # NUT			WTLV.		3
3	C	7M1	32		PL 1/2x4	0 4		WTLV. R700-30H		2
3	F	7M2	16		PL 2x8	2 8		R700-30H		145

NO NEED TO GALVANIZE, BUT ACCEPTABLE

- NOTES:**
- SEE SHEET GNI FOR GENERAL NOTES.
 - GALVANIZE AFTER FABRICATION.

REV.	DATE	REMARKS	DWN	CHK	APVL	SHOP
MATERIAL:		SURFACE PREP. & PAINT:		HOLES:		SHOP BOLTS:
AS NOTED		AS NOTED		AS NOTED		AS NOTED
DESCRIPTION: ANCHOR BOLT & BEARING PLATE DETAILS						
CASCO BAY STEEL STRUCTURES, INC.						
1 WALLACE AVE.			PHONE (207) 780-6722		SOUTH PORTLAND, ME 04106	
			FAX (207) 780-6726		TENBOR 5024	
STRUCTURE: VT RTE 131 OVER TWENTYMILE STREAM				DRWN:	DATE:	
HINDSOR COUNTY				EE0	11/19	
VERMONT AGENCY OF TRANSPORTATION				CHKD:	DATE:	
				DO	11/20	
LOCATION: CAVENDISH, VERMONT				JOB NO.	DWG NO.	
PROJ NO. ER BRF 0146(13)				541	?	
CUSTOMER: COLD RIVER BRIDGES, LLC					REV. <input checked="" type="checkbox"/>	