

FRAMING PLAN

T-Y-LIN INTERNATIONAL

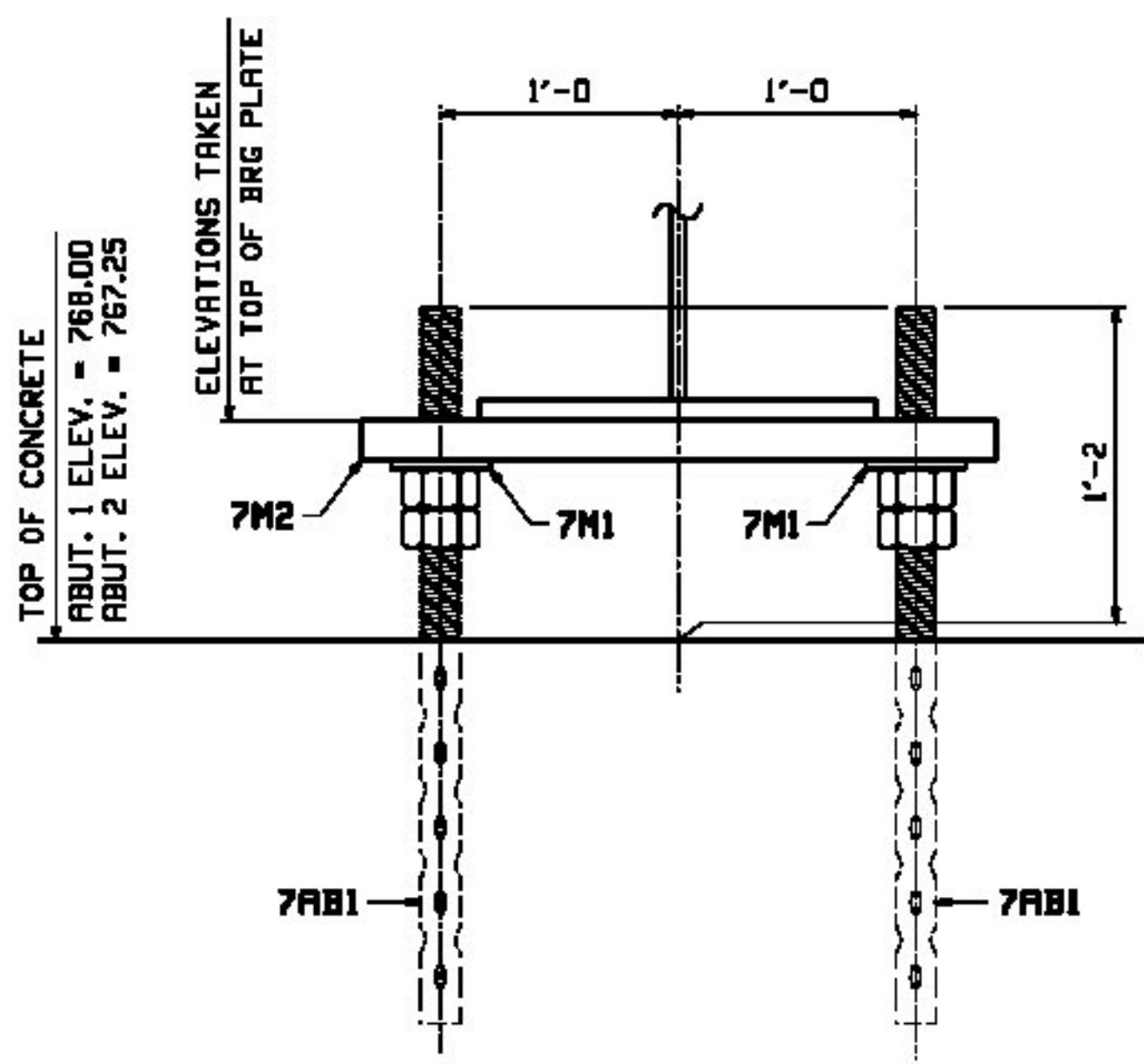
- No Exception Taken
- Make Correction as Noted
- Submit Specified Item
- Revise and Resubmit as Noted
- Rejected

Checked by: *J. Young* Date: 12-03-2013

Reviewed By: *J. Young* Date: 12-03-2013

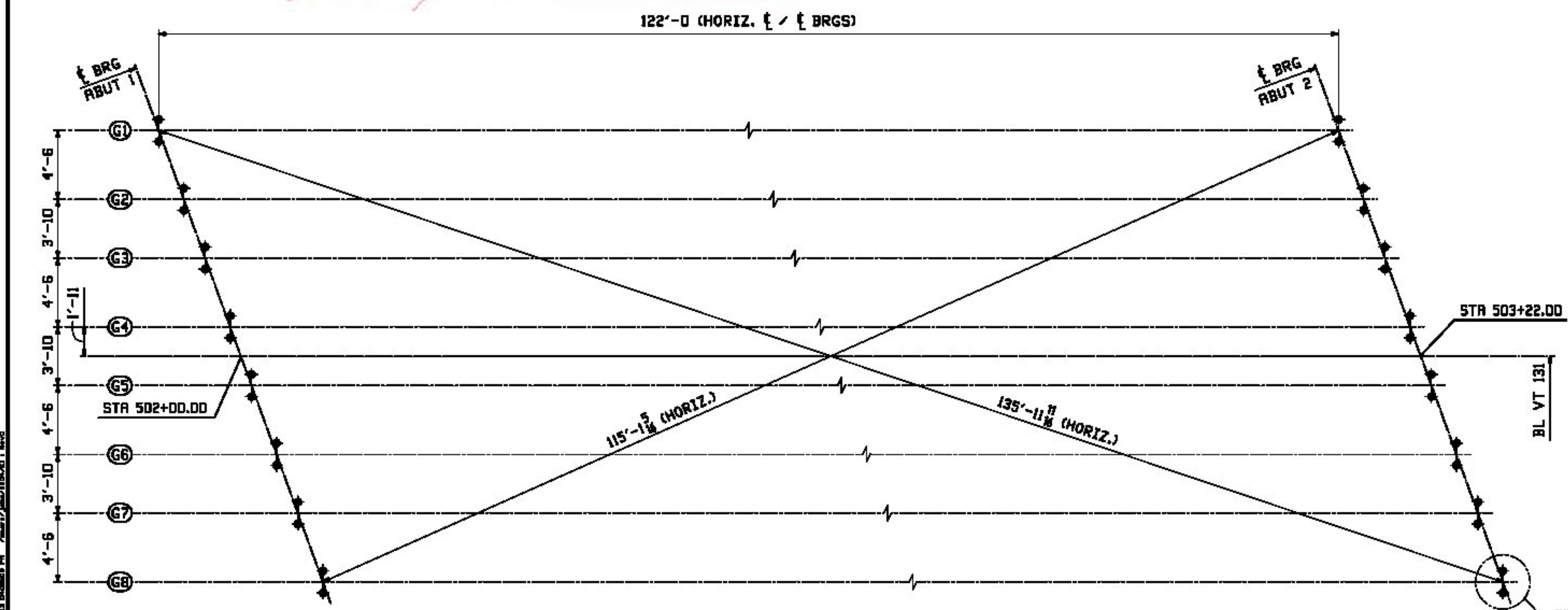
Vermont Agency of Transportation
RECEIVED
 ON: November 25, 2013
 and Checked for
CONFORMANCE
 BY: Rob Young DATE: 12/10/2013

NOTE: REVIEW OF THIS DRAWING IS FOR BEARING ASSEMBLY CONFORMANCE ONLY

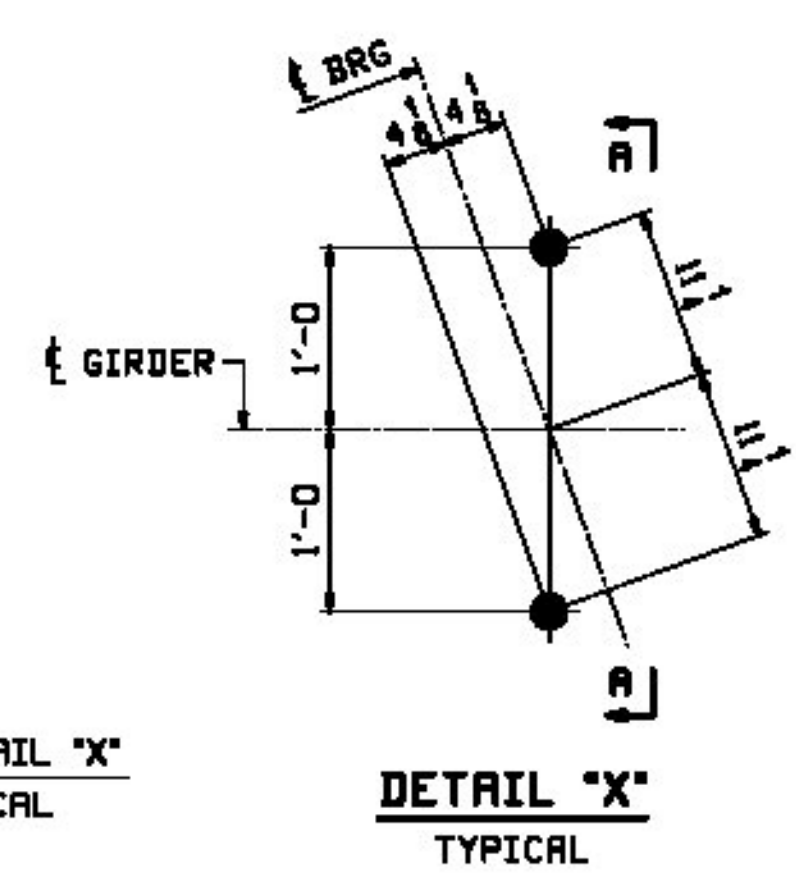


SECTION A-A

| GIRDER LINE | ELEVATIONS | |
|-------------|------------|---------|
| | ABUT. 1 | ABUT. 2 |
| G1 | 768.79 | 768.04 |
| G2 | 768.87 | 768.12 |
| G3 | 768.94 | 768.19 |
| G4 | 769.02 | 768.27 |
| G5 | 769.01 | 768.26 |
| G6 | 768.91 | 768.16 |
| G7 | 768.83 | 768.08 |
| G8 | 768.73 | 767.98 |



ANCHOR BOLT PLAN



DETAIL 'X' TYPICAL

| REV. | DATE | REMARKS | DWN | CHK | APVL | SHOP |
|---|------|------------------------|----------|---------|---------------|------|
| 0 | | | | | | |
| MATERIAL: | | SURFACE PREP. & PAINT: | HOLES: | | SHOP BOLTS: | |
| | | | AS NOTED | | AS NOTED | |
| DESCRIPTION: FRAMING PLAN & ANCHOR BOLT PLAN | | | | | | |
| CASCO BAY STEEL STRUCTURES, INC. 1 WALLACE AVE. PHONE (207) 780-6722 SOUTH PORTLAND, ME 04106 FAX. (207) 780-6726 | | | | | | |
| STRUCTURE: VT RTE 131 OVER TWENTYMILE STREAM HINDSOR COUNTY VERMONT AGENCY OF TRANSPORTATION | | | | DRWN: | DATE: | |
| | | | | EEO | 11/20 | |
| | | | | CHKD: | DATE: | |
| | | | | DO | 11/20 | |
| LOCATION: CAVENDISH, VERMONT | | | | JOB NO. | DWG NO. | |
| PROJ NO. ER BRP 0146(13) | | | | 541 | E1 | |
| CUSTOMER: COLD RIVER BRIDGES, LLC | | | | | REV. Δ | |