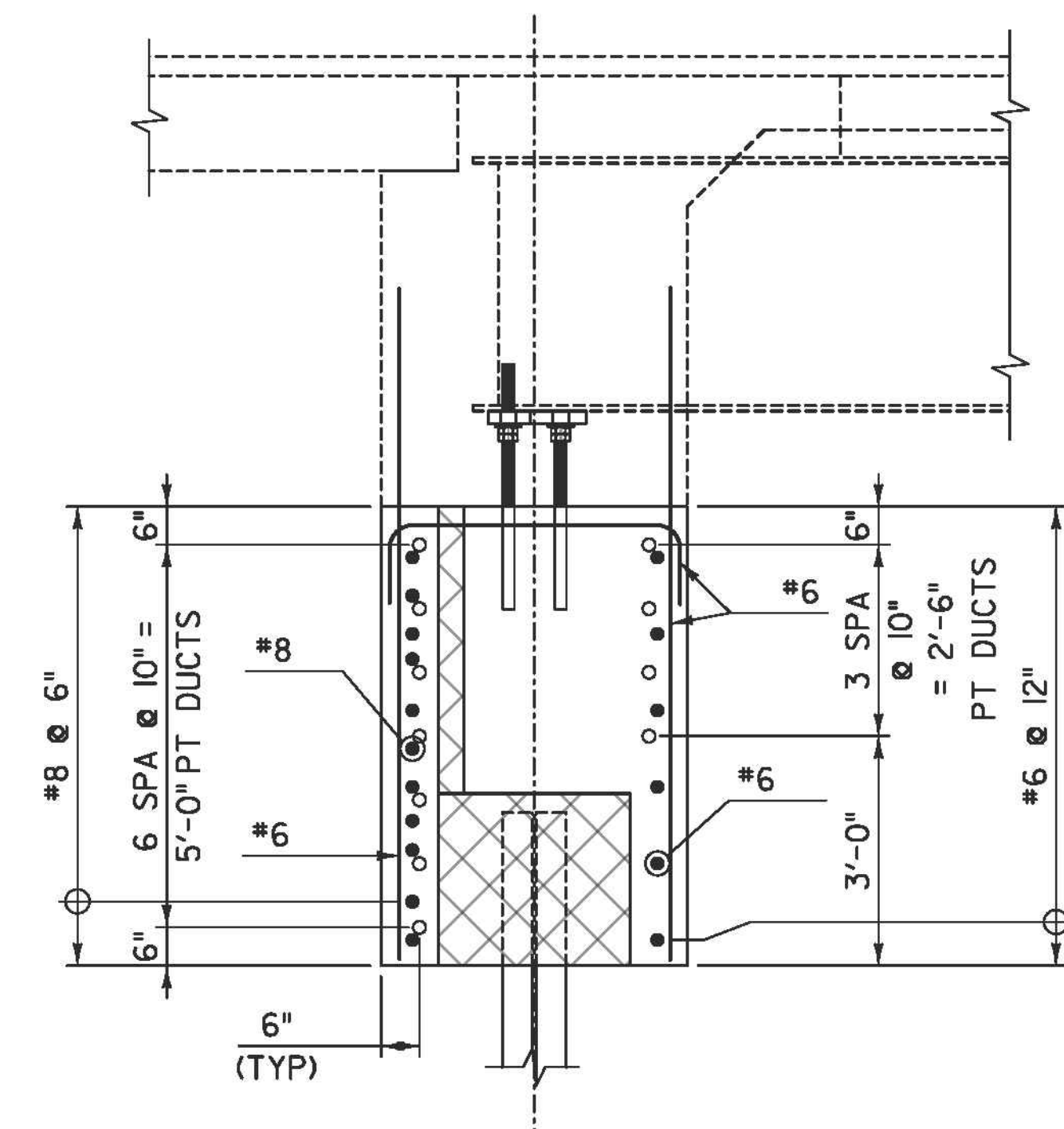


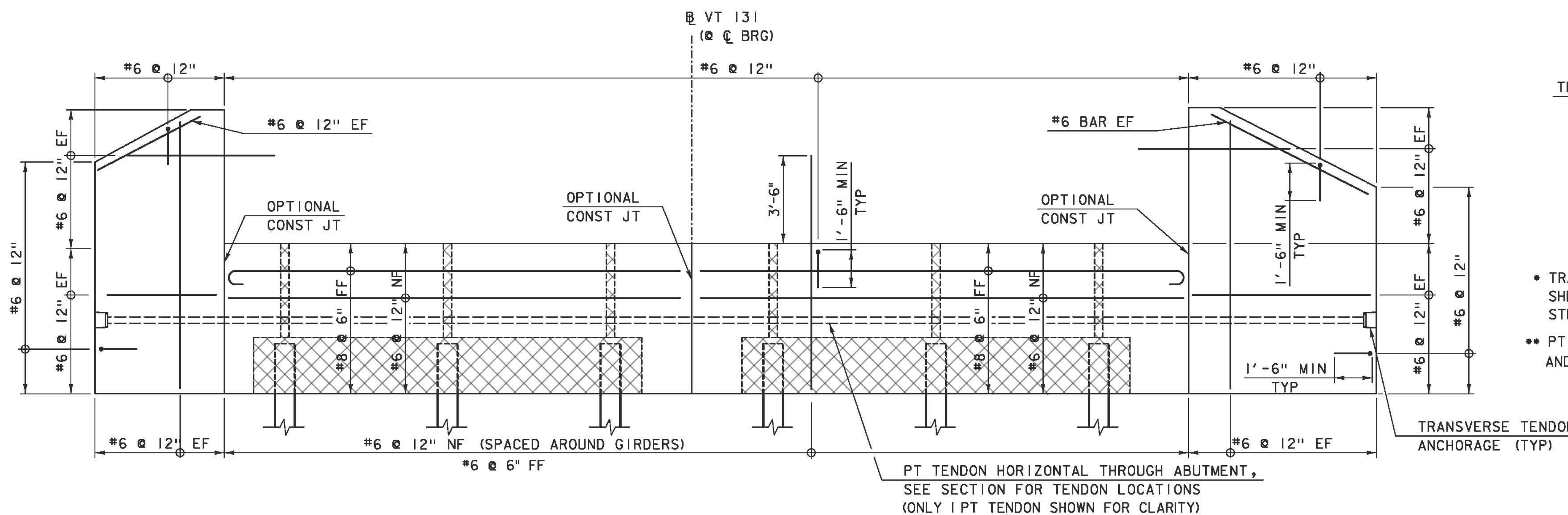
ABUTMENT REINFORCEMENT PLAN

SCALE: 3/8" = 1'-0"
(ABUTMENT 1 SHOWN, ABUTMENT 2 SIMILAR)



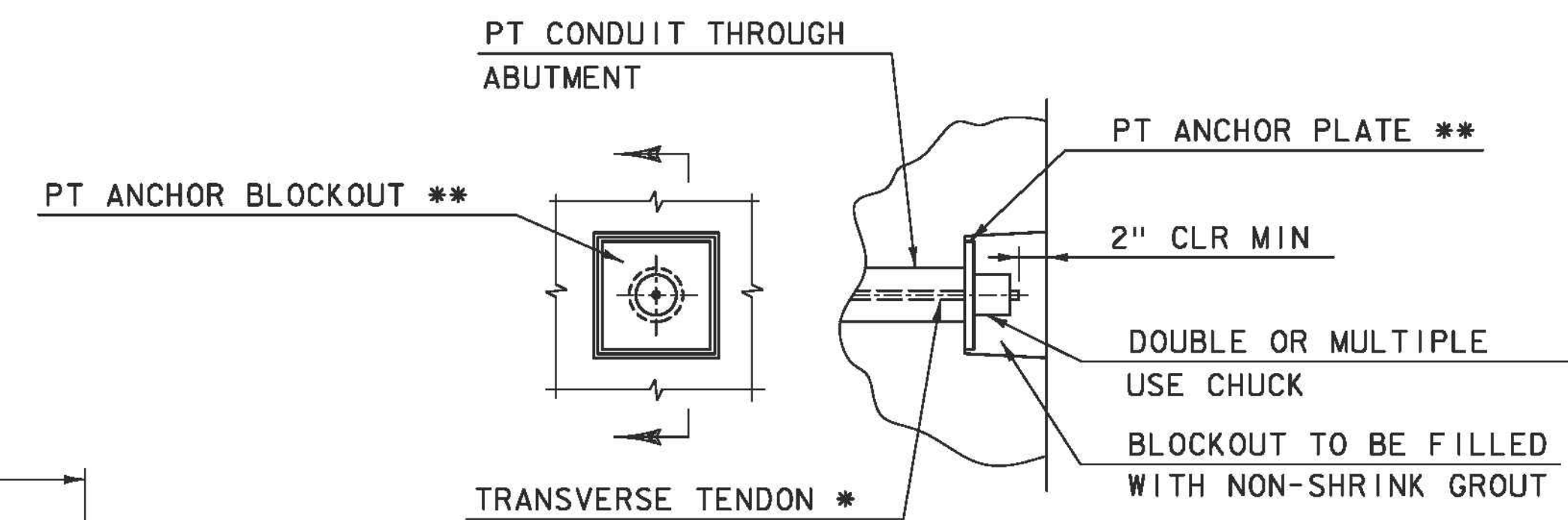
ABUTMENT REINFORCEMENT SECTION

SCALE: 1/2" = 1'-0"



ABUTMENT REINFORCEMENT ELEVATION

SCALE: 3/8" = 1'-0"
(ABUTMENT 1 SHOWN, ABUTMENT 2 SIMILAR)



TRANSVERSE TENDON ANCHORAGE DETAIL

NOT TO SCALE

- * TRANSVERSE TENDONS SHALL BE COVERED BY A SEAMLESS POLYPROPYLENE SHEATH (WITH CORROSION INHIBITER GREASE BETWEEN SHEATH AND STRAND) FOR THE LENGTH OF STRAND, EXCEPT AT ANCHORAGE LOCATIONS.
- ** PT VENDOR SHALL SUPPLY DESIGN AND DIMENSIONS FOR ANCHOR PLATE AND BLOCKOUT FOR JACK ENTRANCE REQUIREMENTS.

TYLIN INTERNATIONAL	PROJECT NAME: CAVENDISH	PLOT DATE: 7/19/2013
	PROJECT NUMBER: ER BR F 0146(13)	DRAWN BY: S. MORGAN
	FILE NAME: zllc318bdrabutr.dgn	CHECKED BY: J. OLUND
	PROJECT LEADER: J. OLUND	SHEET 35 OF 49
	DESIGNED BY: D. MYERS	
	ABUTMENT REINFORCEMENT	