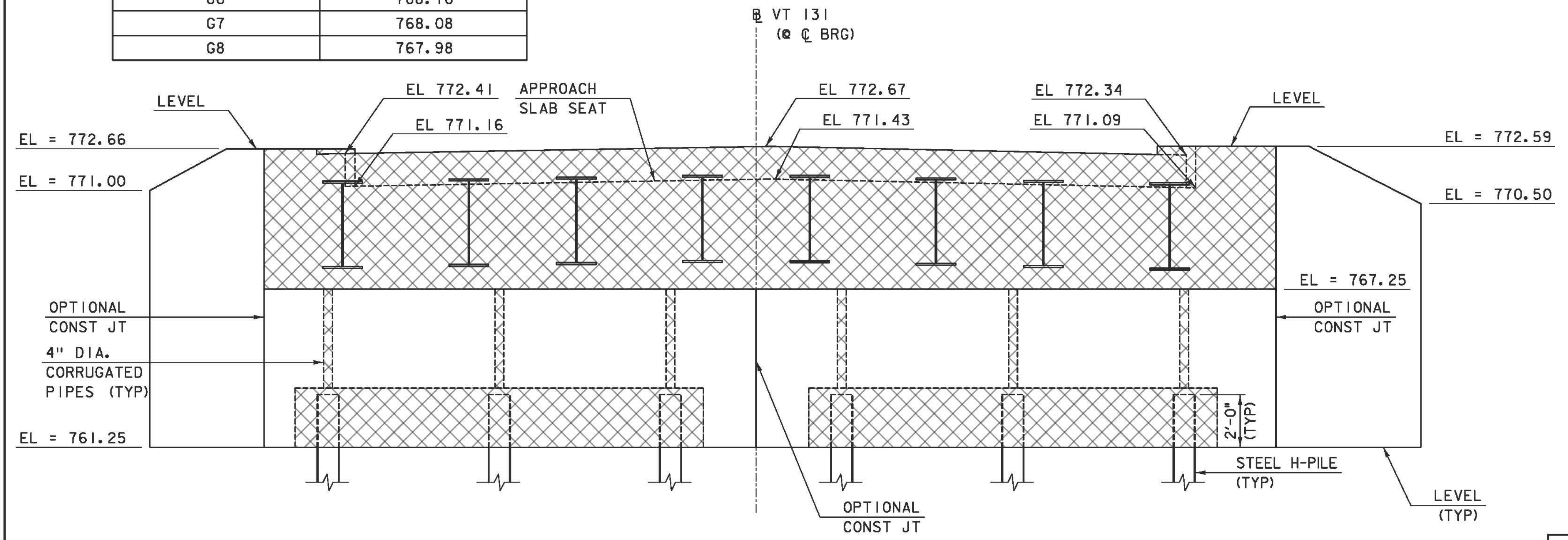
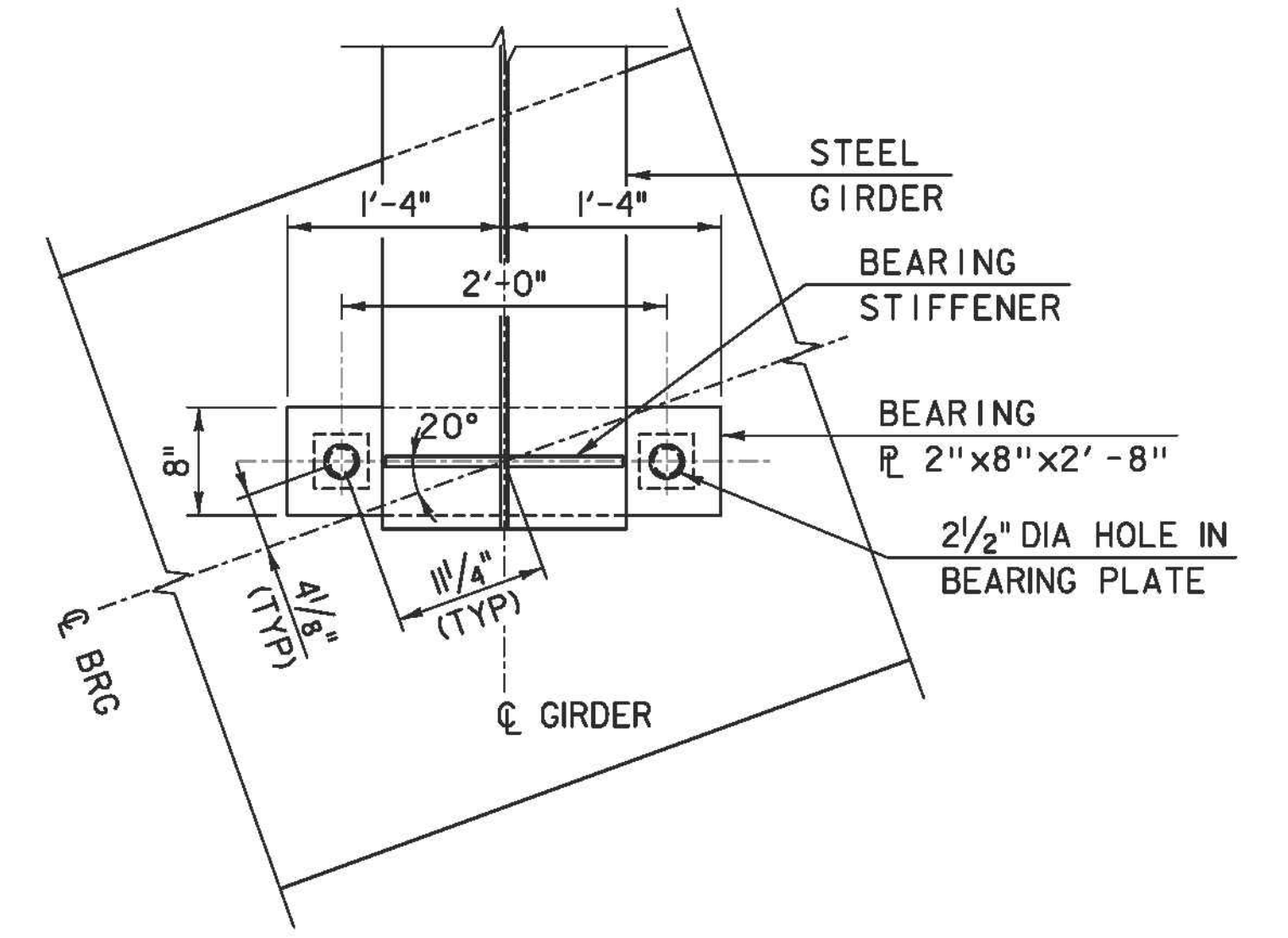


ABUTMENT 2 - PLAN
SCALE: 3/8" = 1'-0"

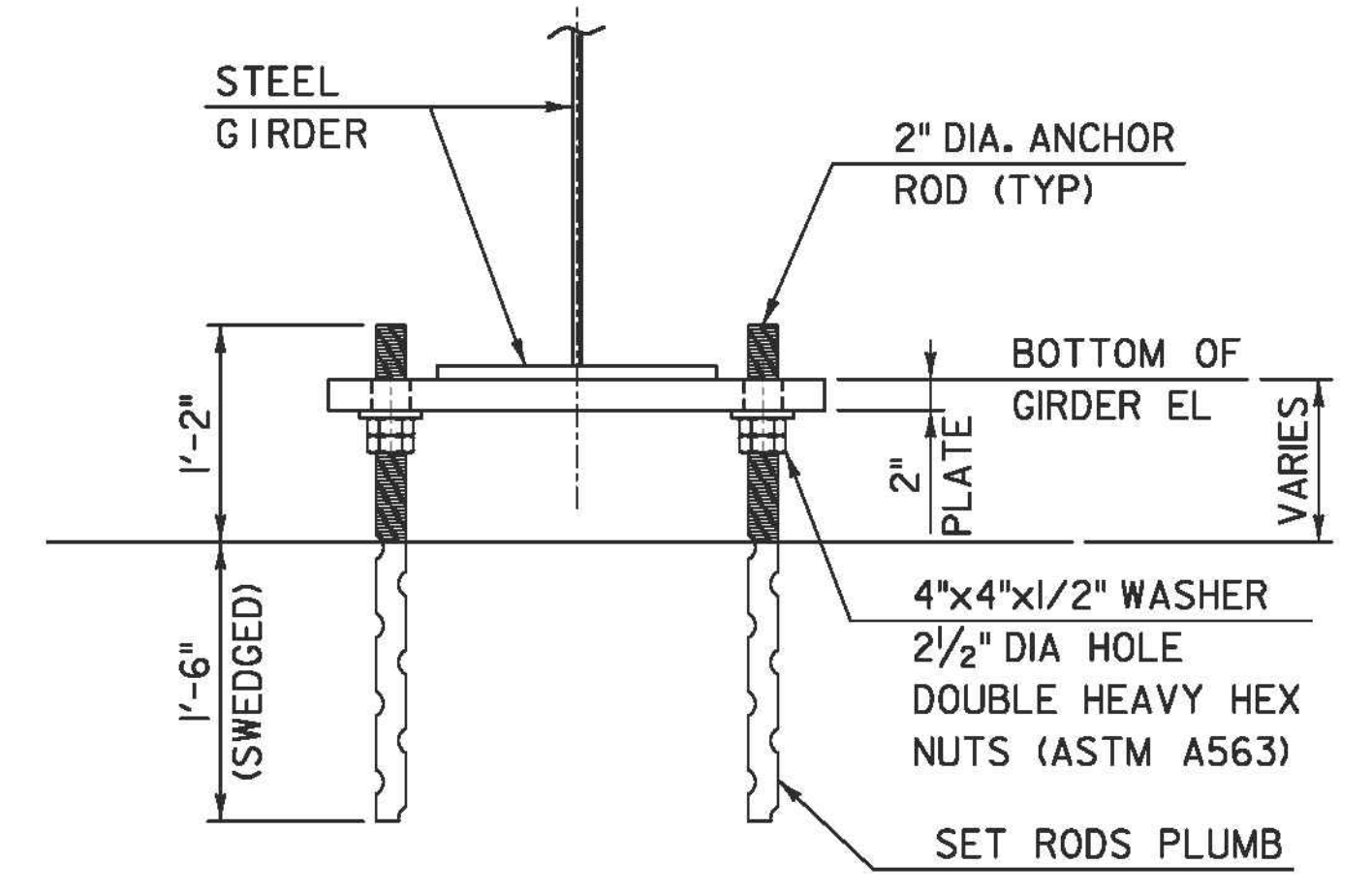
BOTTOM OF GIRDER ELEVATIONS	
GIRDER	ELEVATION
G1	768.04
G2	768.12
G3	768.19
G4	768.27
G5	768.26
G6	768.16
G7	768.08
G8	767.98



ABUTMENT 2 - ELEVATION
SCALE: 3/8" = 1'-0"



TEMPORARY BEARING ASSEMBLY PLAN
SCALE: 1" = 1'-0"



TEMPORARY BEARING ASSEMBLY ELEVATION
SCALE: 1" = 1'-0"

TEMPORARY BEARING NOTES

1. THE TOP SURFACE OF THE BEARING PLATE SHALL BE GREASED PRIOR TO SETTING GIRDERS. EXCESS GREASE SHALL BE WIPED CLEAN AFTER GIRDERS HAVE BEEN SET.
2. PAYMENT FOR TEMPORARY BEARING ASSEMBLIES SHALL BE INCIDENTAL TO RESPECTIVE 540.10 ITEMS.
3. BEARING PLATES SHALL BE LEVEL PRIOR TO SETTING PREFABRICATED BRIDGE UNITS. ELEVATIONS SHALL BE ADJUSTED TO WITHIN 0.01FT OF ELEVATIONS NOTED DURING OFF-SITE FABRICATION OF THE UNITS.
4. BEARING PLATE STEEL SHALL CONFORM TO SUBSECTION 714.03. ANCHOR RODS SHALL MEET THE REQUIREMENTS OF SUBSECTION 714.08, AND SHALL BE GRADE 55.

TYLINT INTERNATIONAL	PROJECT NAME: CAVENDISH	PLOT DATE: 7/19/2013
	PROJECT NUMBER: ER BRF 0146(13)	DRAWN BY: T. KELLEY
FILE NAME: zllc3l8bdrabu+2.dgn	DESIGNED BY: D. MYERS	CHECKED BY: J. OLUND
PROJECT LEADER: J. OLUND	ABUT 2 PLAN & ELEV AND BRG DETAILS	SHEET 34 OF 49