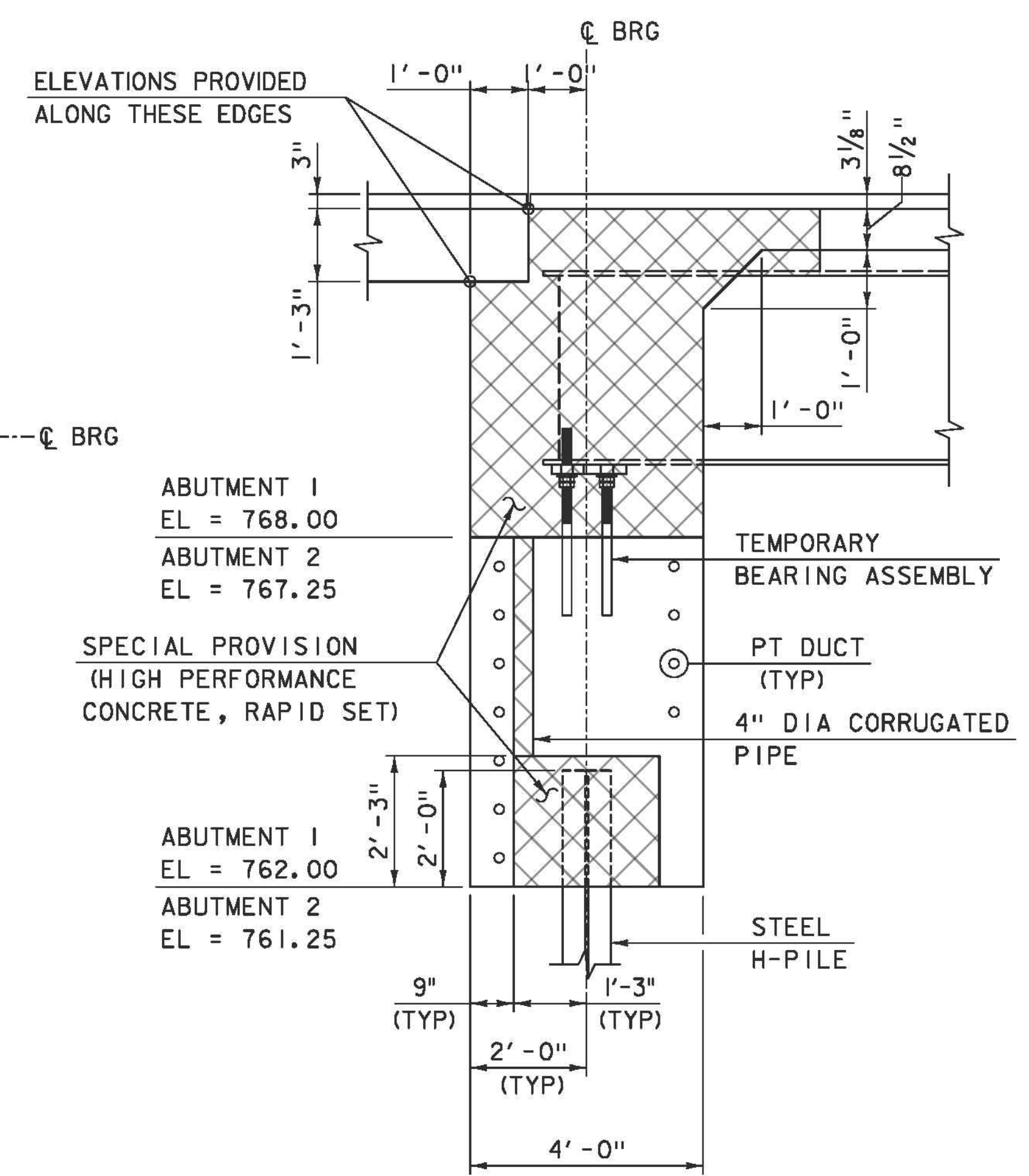
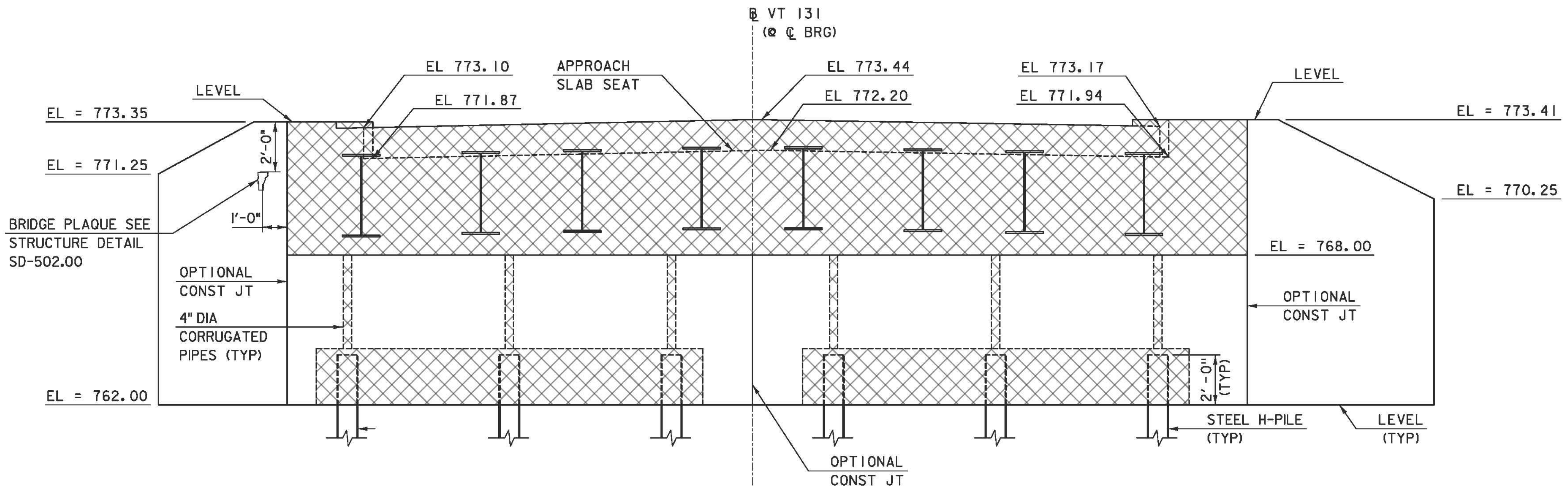


**ABUTMENT I - PLAN**  
SCALE: 3/8" = 1'-0"



**ABUTMENT - TYPICAL SECTION**  
SCALE: 1/2" = 1'-0"  
(DIMENSIONS ARE NORMAL TO ABUTMENT)



**ABUTMENT I - ELEVATION**  
SCALE: 3/8" = 1'-0"

| BOTTOM OF GIRDER ELEVATIONS |           |
|-----------------------------|-----------|
| GIRDER                      | ELEVATION |
| G1                          | 768.79    |
| G2                          | 768.87    |
| G3                          | 768.94    |
| G4                          | 769.02    |
| G5                          | 769.01    |
| G6                          | 768.91    |
| G7                          | 768.83    |
| G8                          | 768.73    |

PROJECT NAME: CAVENDISH  
PROJECT NUMBER: ER BRF 0146(13)

**TYL** INTERNATIONAL

FILE NAME: zllc3l8bdrabut1.dgn  
PROJECT LEADER: J. OLUND  
DESIGNED BY: D. MYERS  
ABUTMENT I PLAN, ELEVATION & SECTION

PLOT DATE: 7/19/2013  
DRAWN BY: T. KELLEY  
CHECKED BY: J. OLUND  
SHEET 33 OF 49