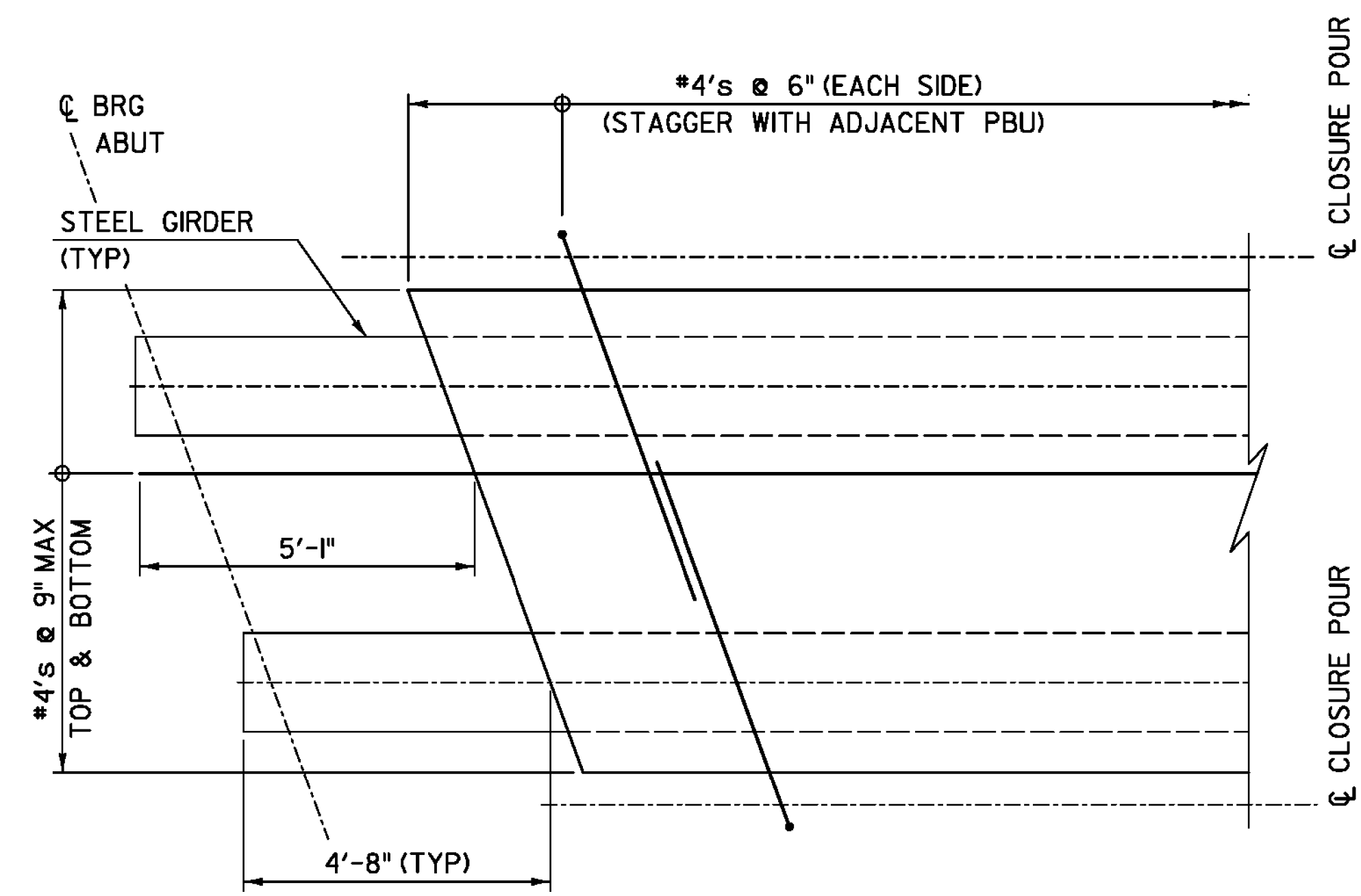
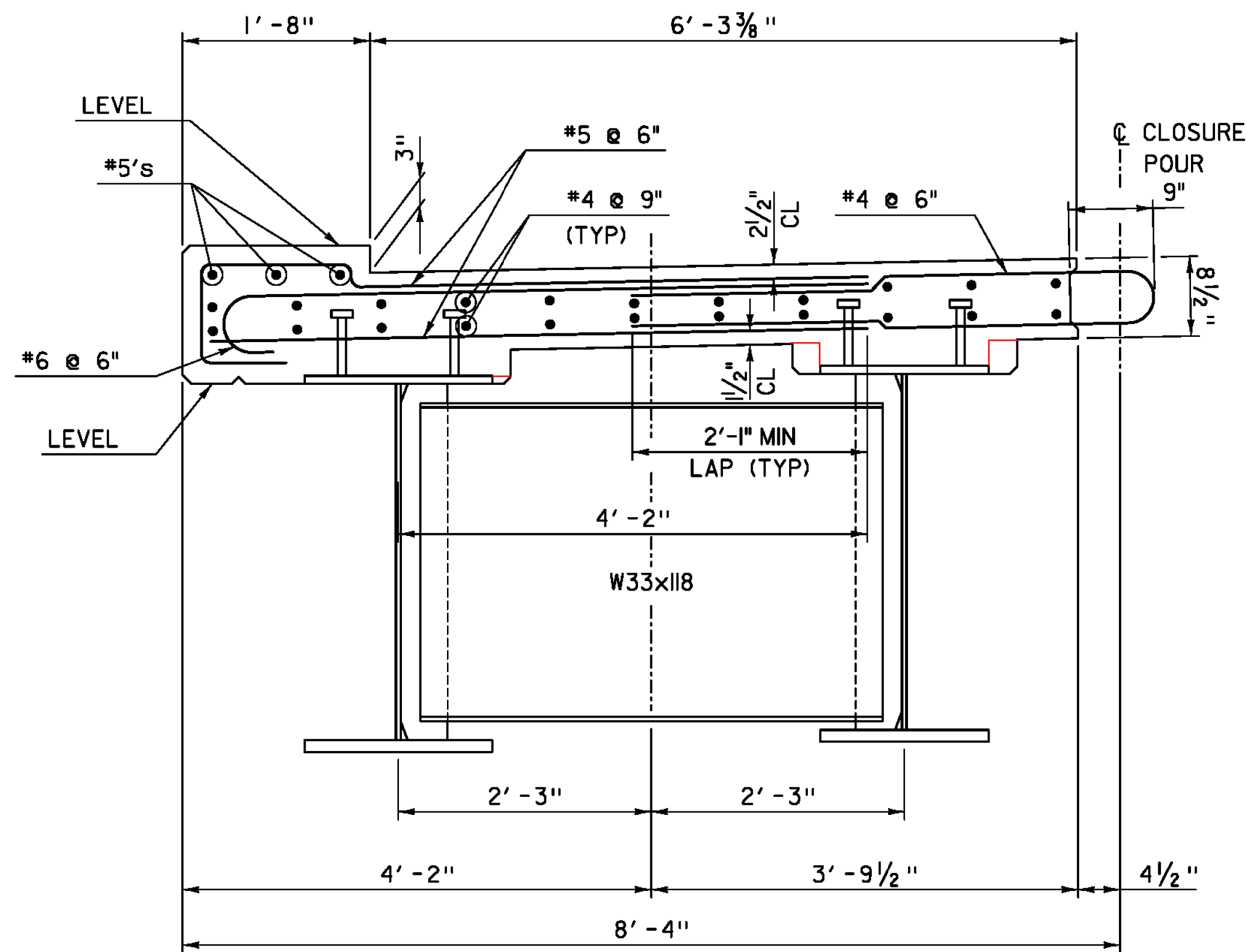


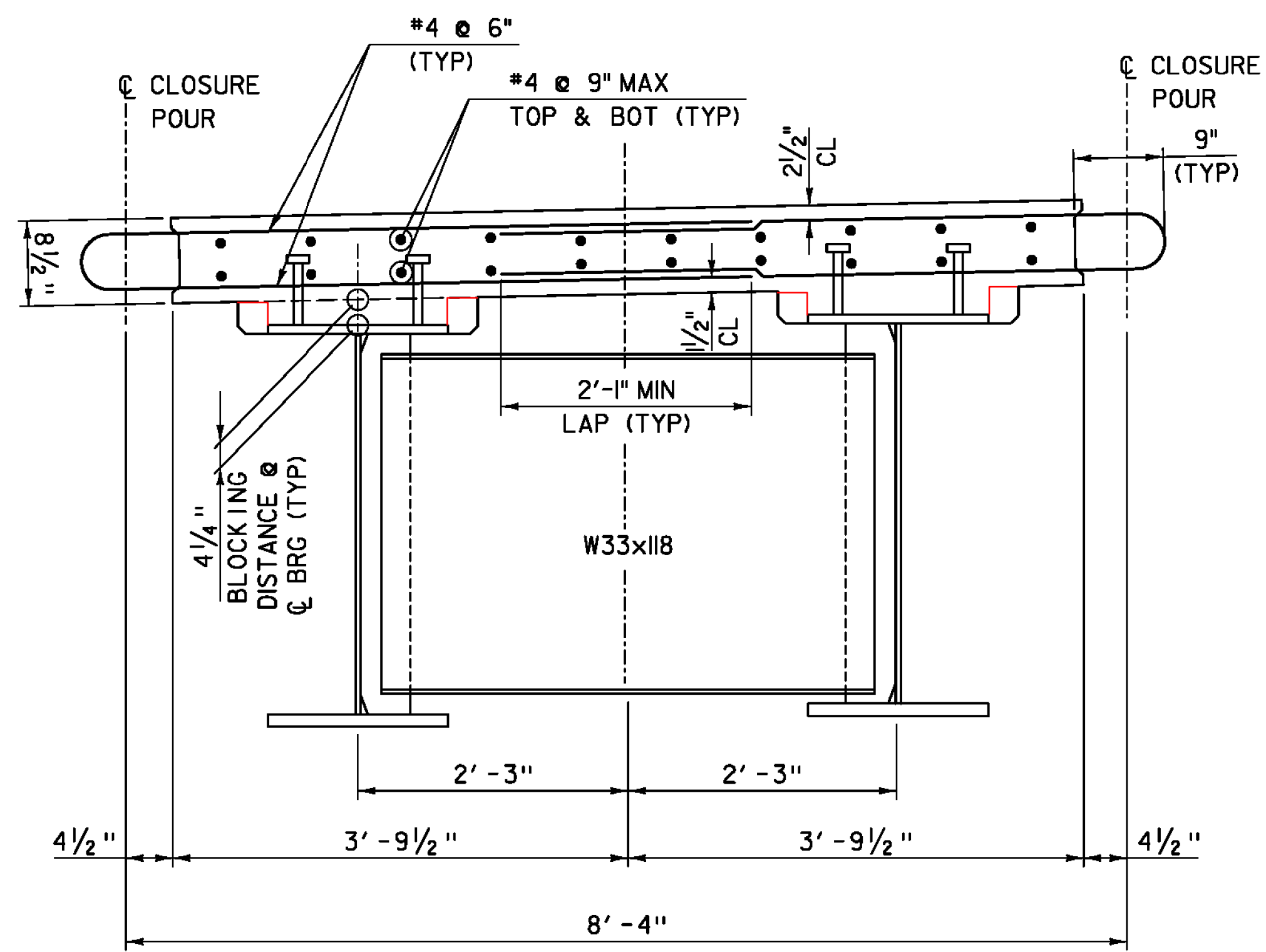
EXTERIOR UNIT - PLAN
SCALE: 1/2" = 1'-0"



INTERIOR UNIT - PLAN
SCALE: 1" = 1'-0"



EXTERIOR UNIT - SECTION
SCALE: 1" = 1'-0"



INTERIOR UNIT - SECTION
SCALE: 1" = 1'-0"

NOTE: MINIMUM LAP LENGTH FOR #4 LONGITUDINAL BARS SHALL BE 1'-3".

TYLIN INTERNATIONAL

PROJECT NAME: CAVENDISH	PLOT DATE: 7/19/2013
PROJECT NUMBER: ER BRF 0146(13)	DRAWN BY: S. MORGAN
FILE NAME: zllc318bdrsup2.dgn	CHECKED BY: D. MYERS
PROJECT LEADER: J. OLUND	SHEET 31 OF 49
DESIGNED BY: S. KELLER	
SUPERSTRUCTURE DETAILS	