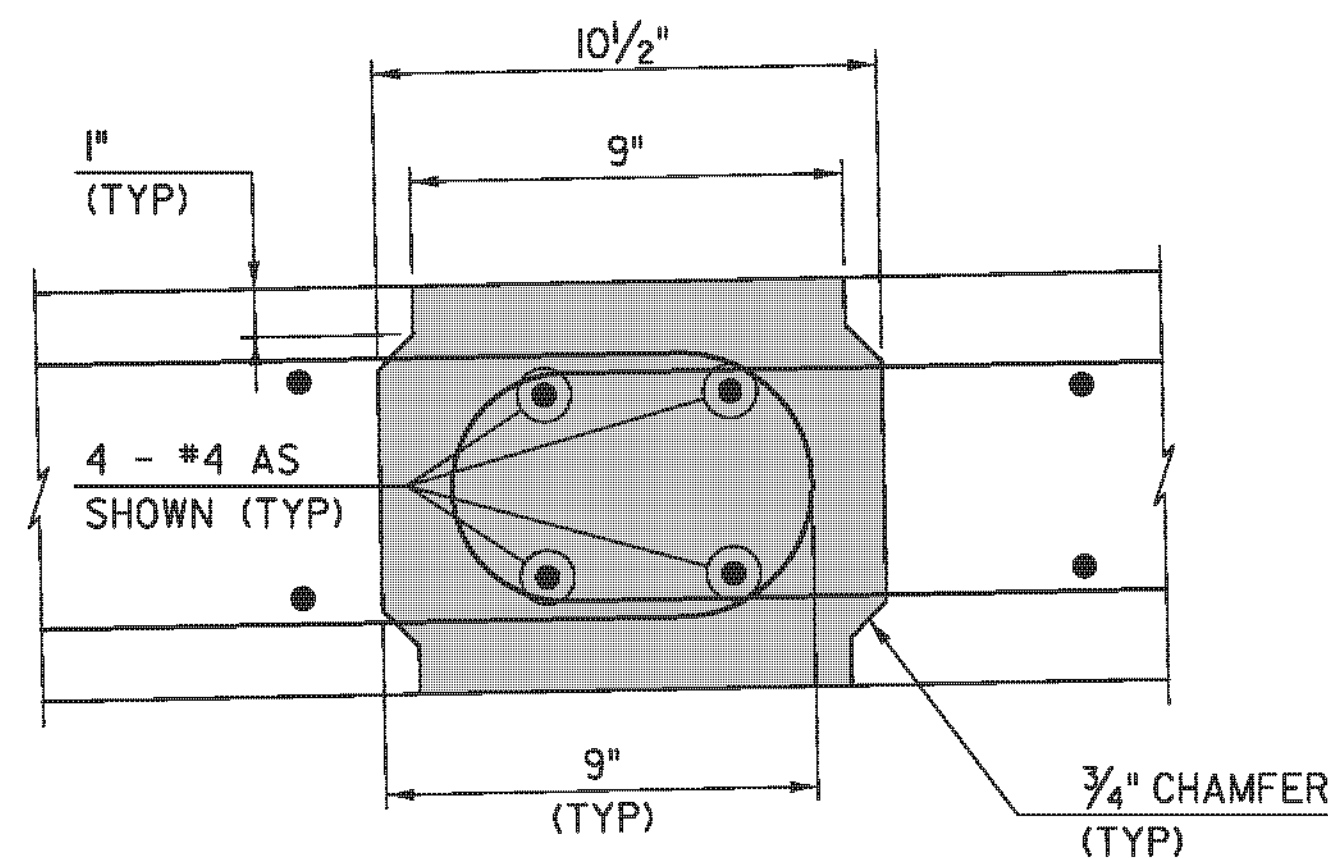
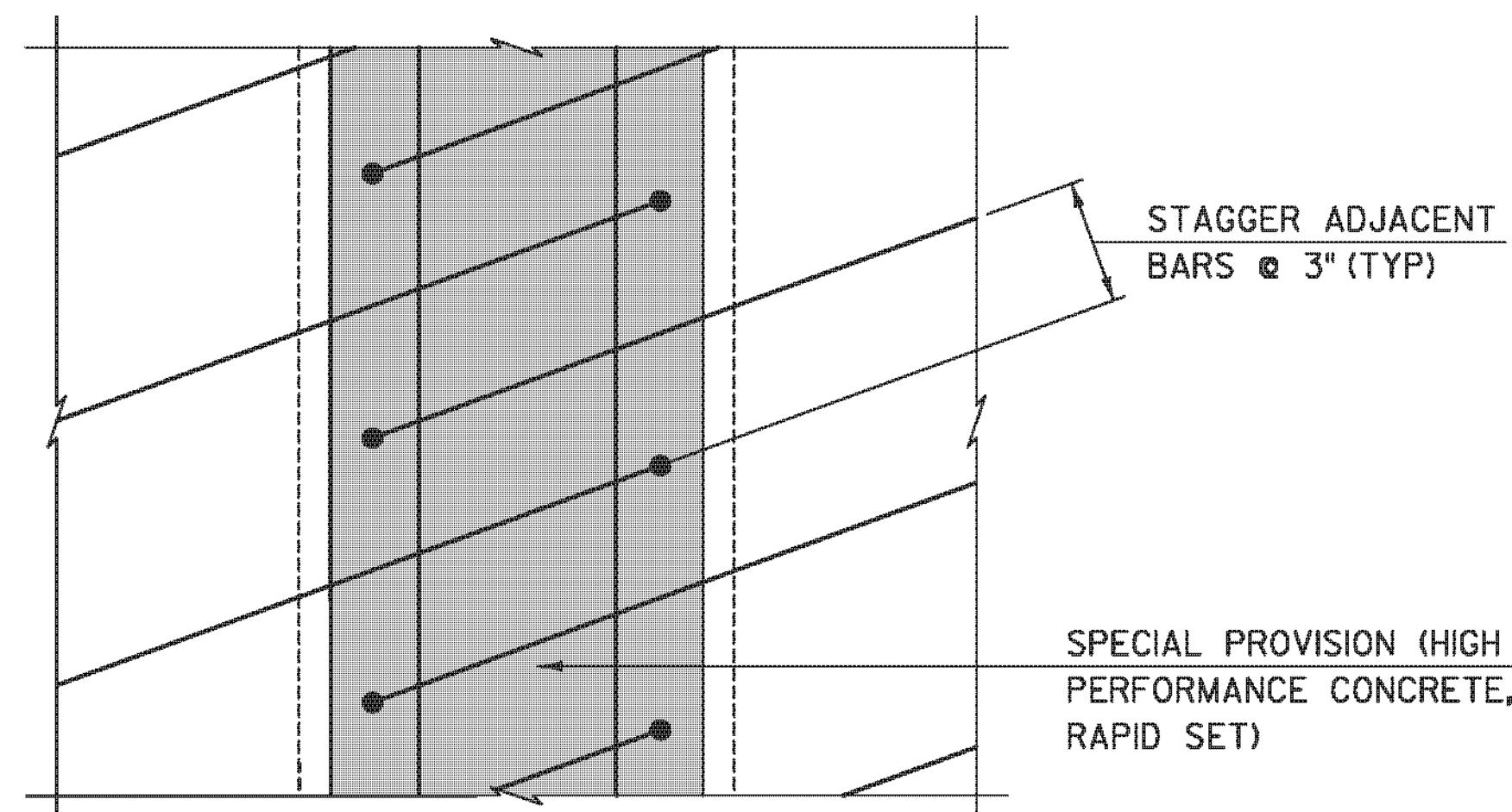


**SUPERSTRUCTURE PLAN**  
SCALE: 3/16" = 1'-0"



**CLOSURE POUR DETAIL SECTION**  
SCALE: 3" = 1'-0"



**CLOSURE POUR DETAIL PLAN**  
SCALE: 3" = 1'-0"

**TYLIN INTERNATIONAL**

PROJECT NAME: CAVENDISH  
PROJECT NUMBER: ER BRF 0146(13)

FILE NAME: zllc318bdrsupl.dgn  
PROJECT LEADER: J. OLUND  
DESIGNED BY: S. KELLER  
SUPERSTRUCTURE PLAN

PLOT DATE: 7/19/2013  
DRAWN BY: S. MORGAN  
CHECKED BY: D. MYERS  
SHEET 30 OF 49