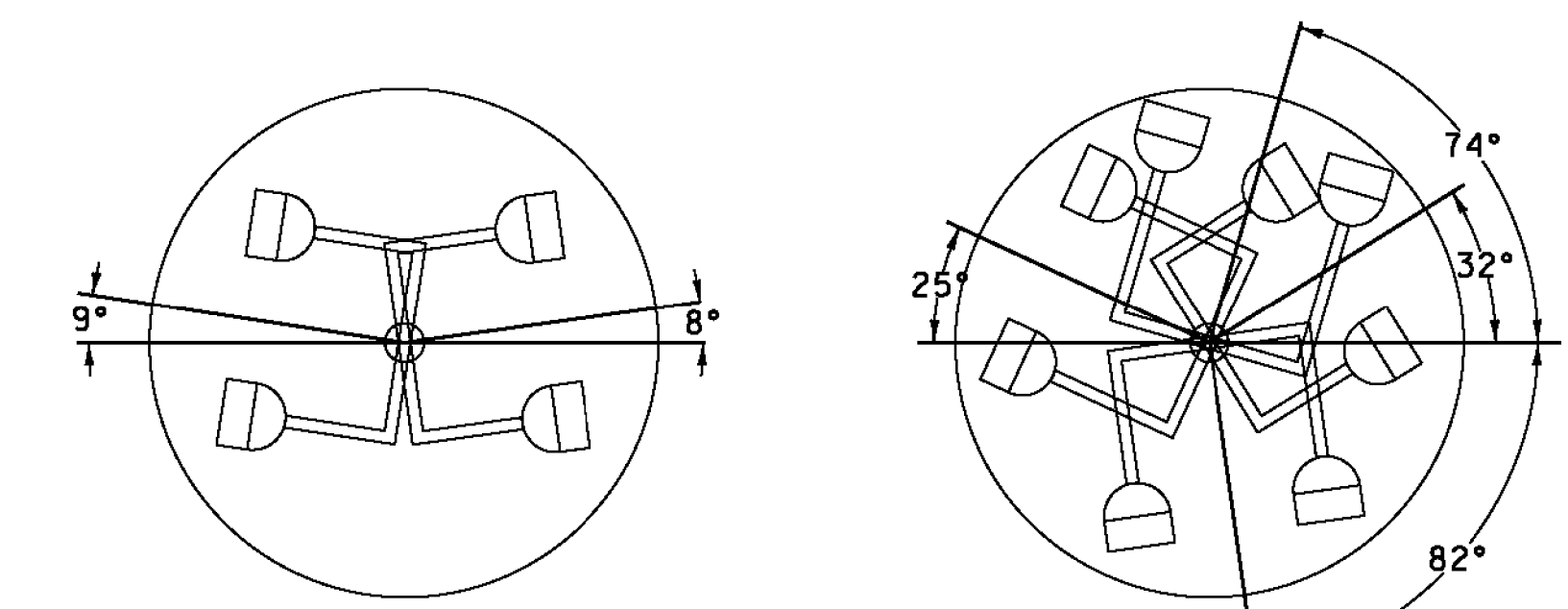


ITEM 900.645 SPECIAL PROVISION  
(RAIL-HIGHWAY CROSSING ACTIVE WARNING SYSTEM) (AARDOT 850-919D)  
LYNDON U. S. ROUTE 5 STA. 140+66, RT

QUANTITY	UNIT	DESCRIPTION
1	EA	REMOVE EXISTING SIGNAL ASSEMBLY (SIGNAL "B")
1	EA	REMOVE EXISTING BLOCK SIGNAL ASSEMBLY AND FOUNDATION
1	LS	REMOVE EXISTING RAILROAD UTILITY POLES AND WIRES
1	EA	SIGNAL ASSEMBLY WITH MAST (SIGNAL "B")
4	EA	12" LED RAILROAD SIGNAL HEAD (SIGNAL "A")
2	EA	LAMP CROSSARM WITH BRACKETS (SIGNAL "A")
1	EA	ELECTRONIC WARNING BELL
680	LF	WIRED CONDUIT (LIGHTING WIRES AND TRACK WIRES. INCLUDES CONNECTION TO AARDOT #850-918W)
1	EA	POWER DROP STANCHION (INCLUDING ALL HARDWARE AND CONNECTIONS)

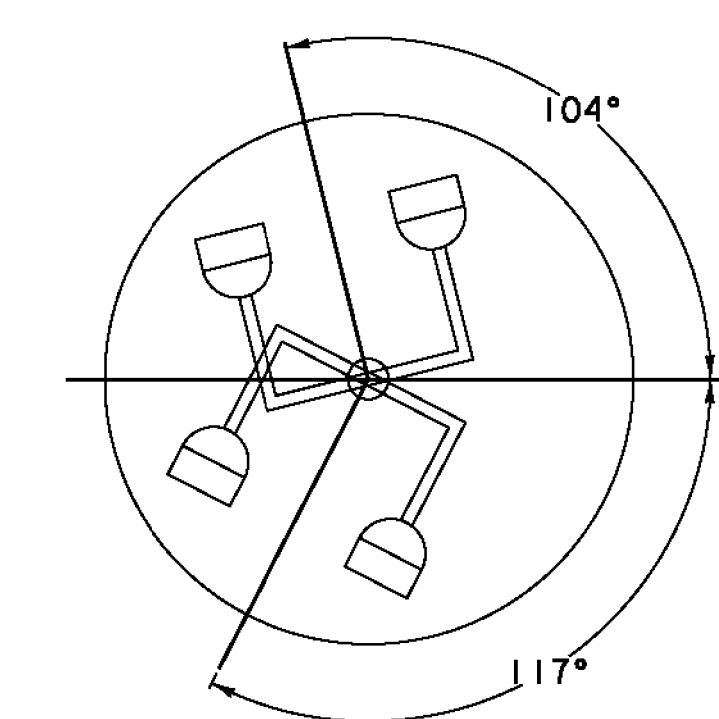
ITEM 900.645 SPECIAL PROVISION  
(RAIL-HIGHWAY CROSSING ACTIVE WARNING SYSTEM) (AARDOT 850-918W)  
LYNDON U. S. ROUTE 5 STA. 143+02, RT

QUANTITY	UNIT	DESCRIPTION
12	EA	12" LED RAILROAD SIGNAL HEAD
6	EA	LAMP CROSSARM WITH BRACKETS
1	EA	ELECTRONIC WARNING BELL
240	LF	WIRED CONDUIT (TRACK WIRES AND LIGHTING WIRES)



CROSSARM LAYOUT  
SIGNAL "A"

CROSSARM LAYOUT  
SIGNAL "C"



CROSSARM LAYOUT  
SIGNAL "D"

**AARDOT #850-919D AND #850-918W**

NOT TO SCALE

**RAILROAD  
CROSSING  
DETAIL  
SHEET #15**

PROJECT NAME: ST JOHNSBURY - LYNDON  
PROJECT NUMBER: STP 2936(I)

FILE NAME: pllc308.dgn  
PROJECT LEADER: G. EDWARDS  
DESIGNED BY: D. DRAPER

PLOT DATE: 5/5/2014  
DRAWN BY: D. DRAPER  
CHECKED BY: J. LITTLE  
SHEET 46 OF 250

NOTE:  
1. FOR ADDITIONAL DETAILS & NOTES SEE SHEETS 47-52

