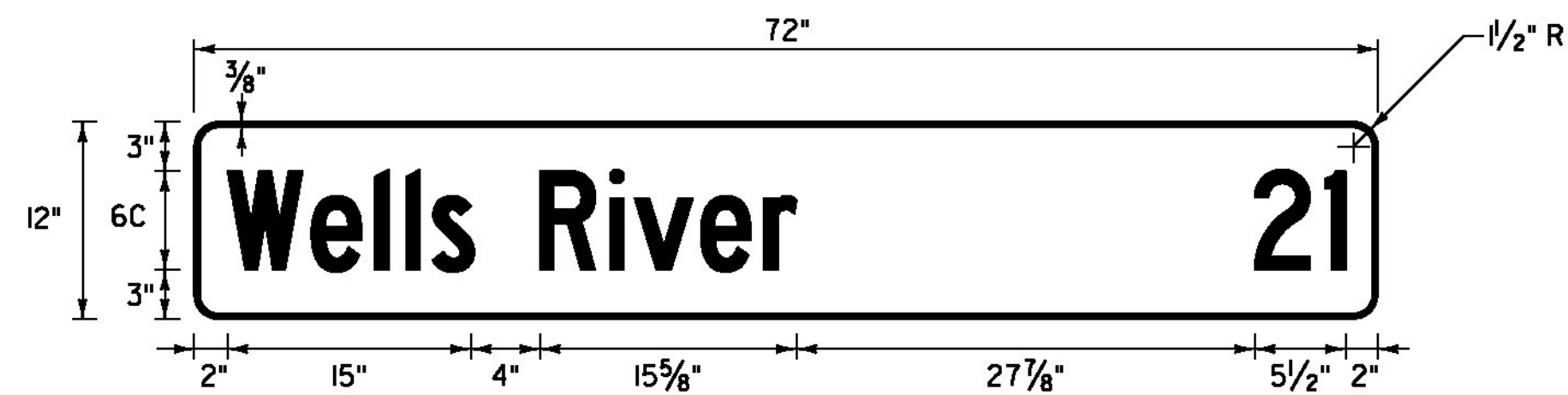


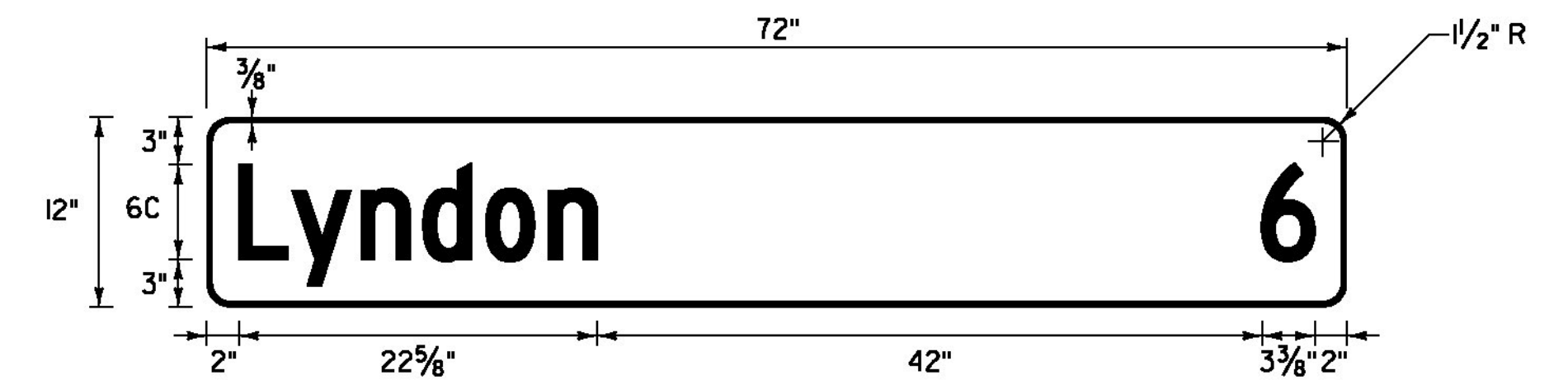
VD2-1

LOCATION: ST. JOHNSBURY; U.S. ROUTE 5
STA. 85+82, LT
ST. JOHNSBURY; ALT U.S. ROUTE 5
STA. 19+89, LT
COLOR: WHITE BORDER, ARROW AND TEXT (RETROREFLECTIVE)
GREEN BACKGROUND (RETROREFLECTIVE)
MATERIAL: 0.125" FLAT SHEET ALUMINUM



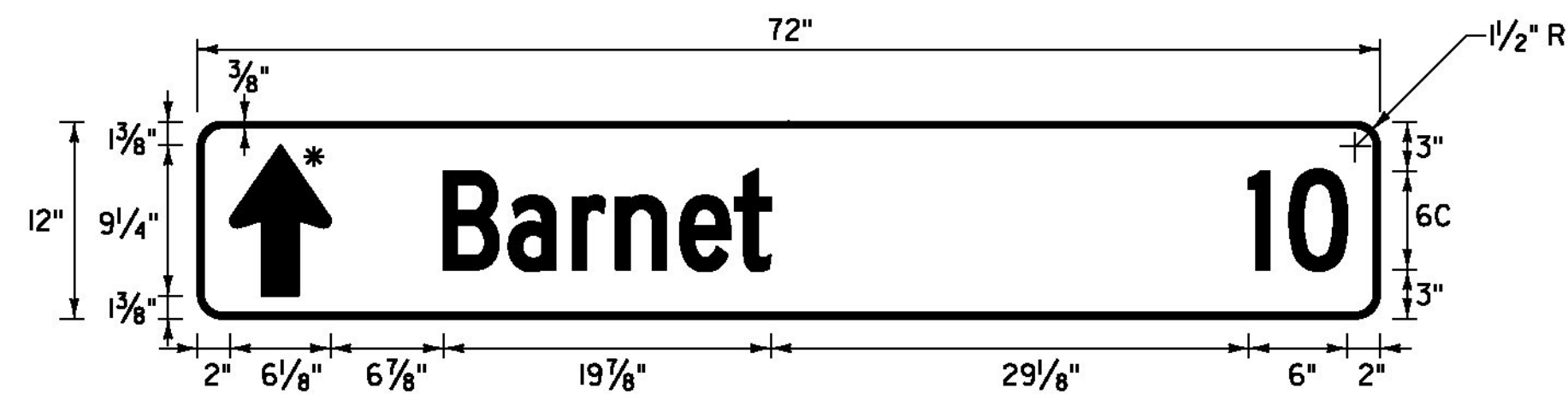
VD2-1

LOCATION: ST. JOHNSBURY; U.S. ROUTE 5
STA. 130+00, LT
COLOR: WHITE BORDER, ARROW AND TEXT (RETROREFLECTIVE)
GREEN BACKGROUND (RETROREFLECTIVE)
MATERIAL: 0.125" FLAT SHEET ALUMINUM



VD2-1

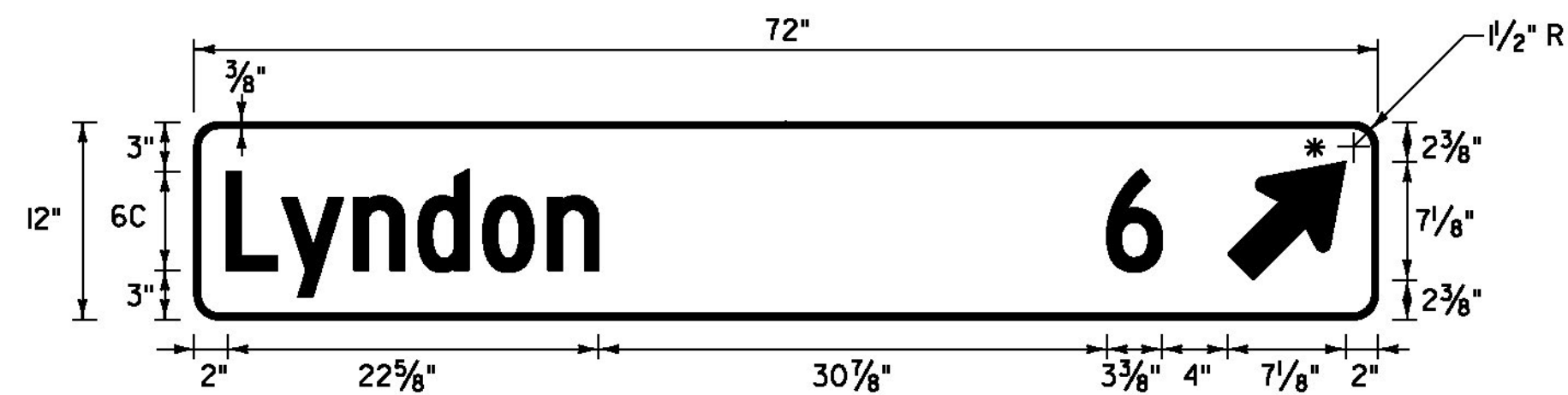
LOCATION: ST. JOHNSBURY; U.S. ROUTE 5
STA. 143+09, RT
COLOR: WHITE BORDER, ARROW AND TEXT (RETROREFLECTIVE)
GREEN BACKGROUND (RETROREFLECTIVE)
MATERIAL: 0.125" FLAT SHEET ALUMINUM



VD1-1a

LOCATION: ST. JOHNSBURY; U.S. ROUTE 5
STA. 93+64, LT
STA. 100+03, LT
COLOR: WHITE BORDER, ARROW AND TEXT (RETROREFLECTIVE)
GREEN BACKGROUND (RETROREFLECTIVE)
MATERIAL: 0.125" FLAT SHEET ALUMINUM

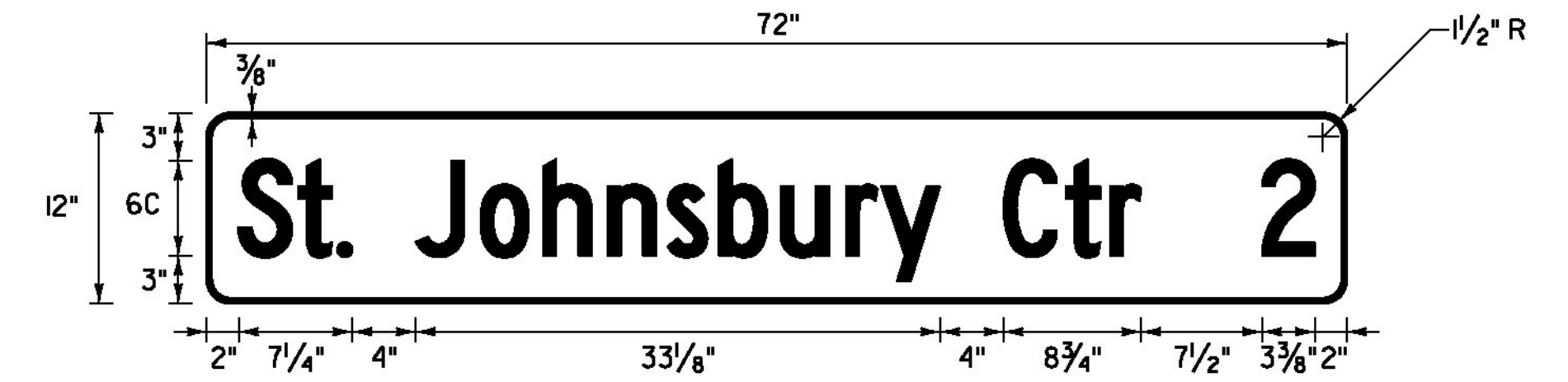
* FOR ARROW DETAIL SEE SHEET 238



VD1-1a

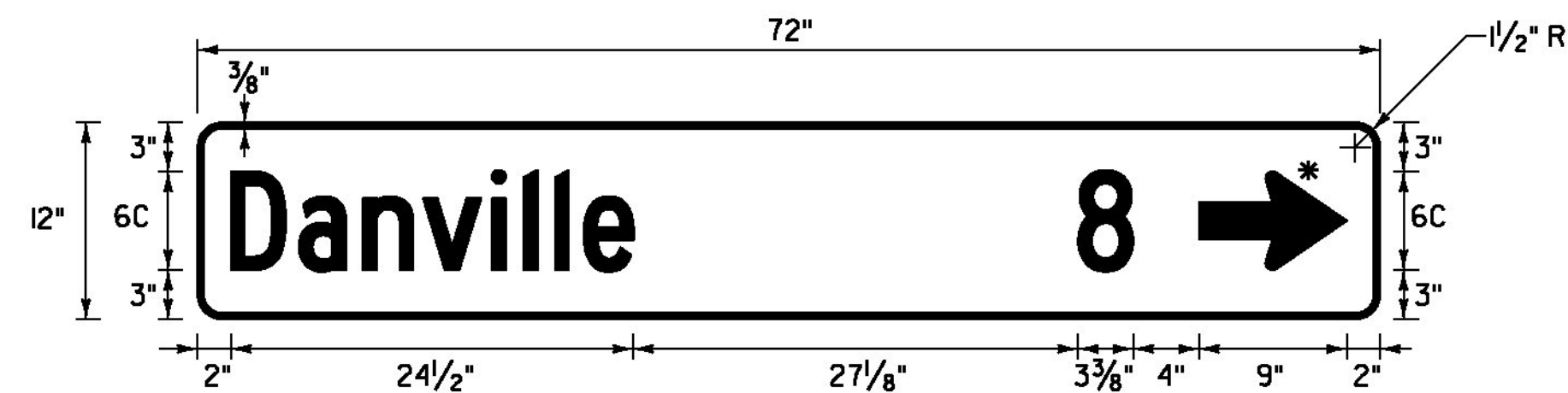
LOCATION: ST. JOHNSBURY; U.S. ROUTE 5
STA. 132+94, RT
COLOR: WHITE BORDER, ARROW AND TEXT (RETROREFLECTIVE)
GREEN BACKGROUND (RETROREFLECTIVE)
MATERIAL: 0.125" FLAT SHEET ALUMINUM

* FOR ARROW DETAIL SEE SHEET 238



VD2-1

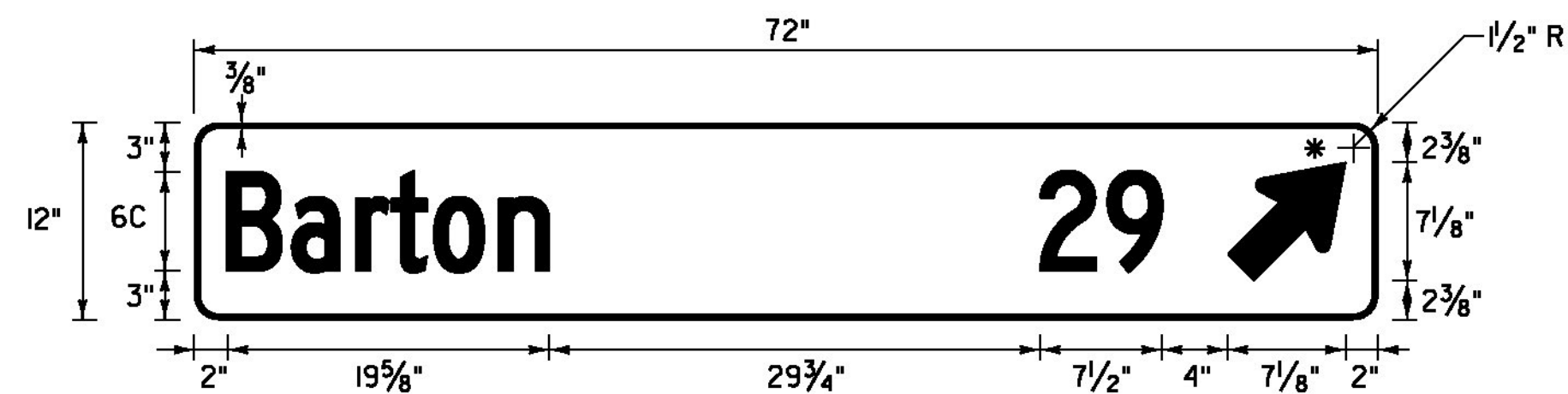
LOCATION: ST. JOHNSBURY; U.S. ROUTE 5
STA. 143+09, RT
COLOR: WHITE BORDER, ARROW AND TEXT (RETROREFLECTIVE)
GREEN BACKGROUND (RETROREFLECTIVE)
MATERIAL: 0.125" FLAT SHEET ALUMINUM



VD1-1a

LOCATION: ST. JOHNSBURY; U.S. ROUTE 5
STA. 93+64, LT
COLOR: WHITE BORDER, ARROW AND TEXT (RETROREFLECTIVE)
GREEN BACKGROUND (RETROREFLECTIVE)
MATERIAL: 0.125" FLAT SHEET ALUMINUM

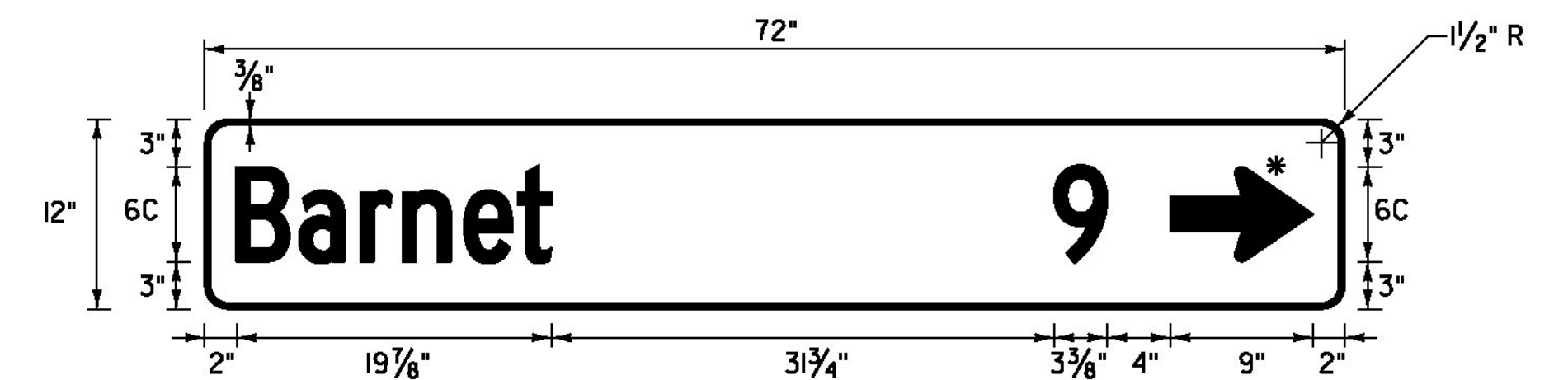
* FOR ARROW DETAIL SEE SHEET 238



VD1-1a

LOCATION: ST. JOHNSBURY; U.S. ROUTE 5
STA. 132+94, RT
COLOR: WHITE BORDER, ARROW AND TEXT (RETROREFLECTIVE)
GREEN BACKGROUND (RETROREFLECTIVE)
MATERIAL: 0.125" FLAT SHEET ALUMINUM

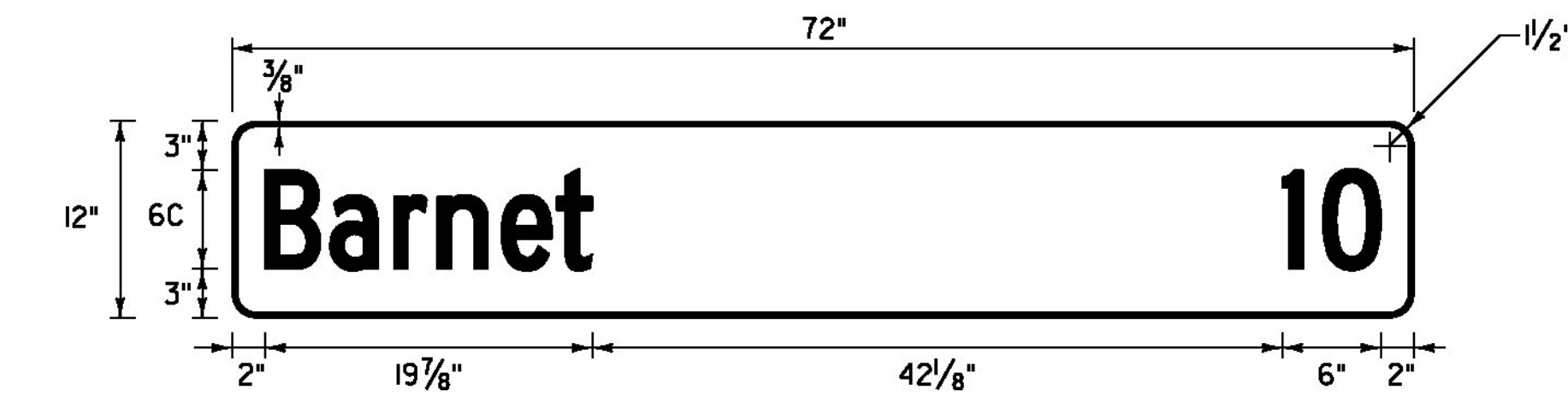
* FOR ARROW DETAIL SEE SHEET 238



VD1-1a

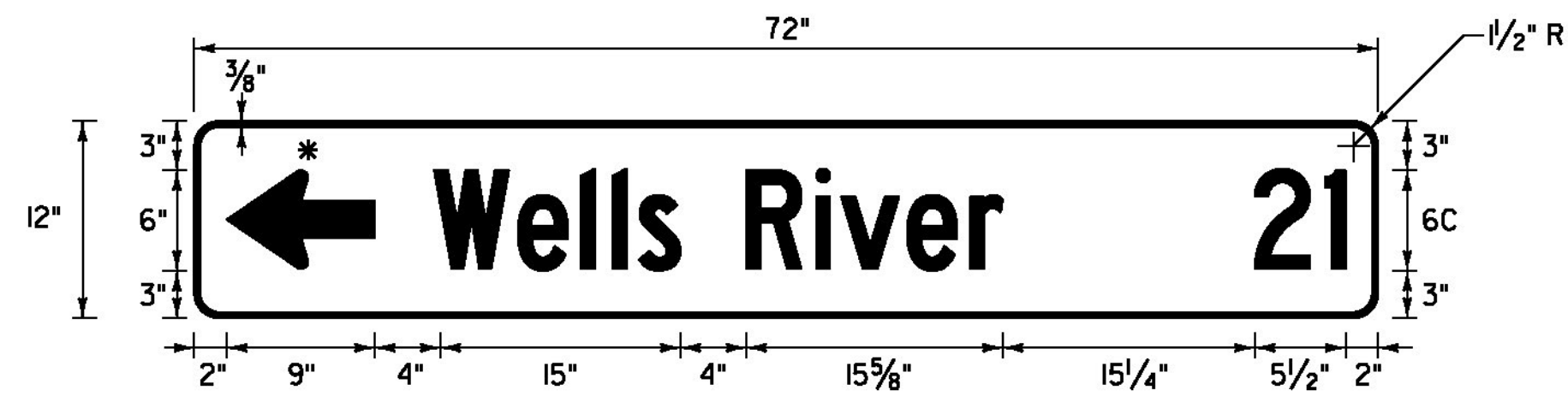
LOCATION: ST. JOHNSBURY; ALT U.S. ROUTE 5
STA. 2+50, LT
COLOR: WHITE BORDER, ARROW AND TEXT (RETROREFLECTIVE)
GREEN BACKGROUND (RETROREFLECTIVE)
MATERIAL: 0.125" FLAT SHEET ALUMINUM

* FOR ARROW DETAIL SEE SHEET 238



VD2-1

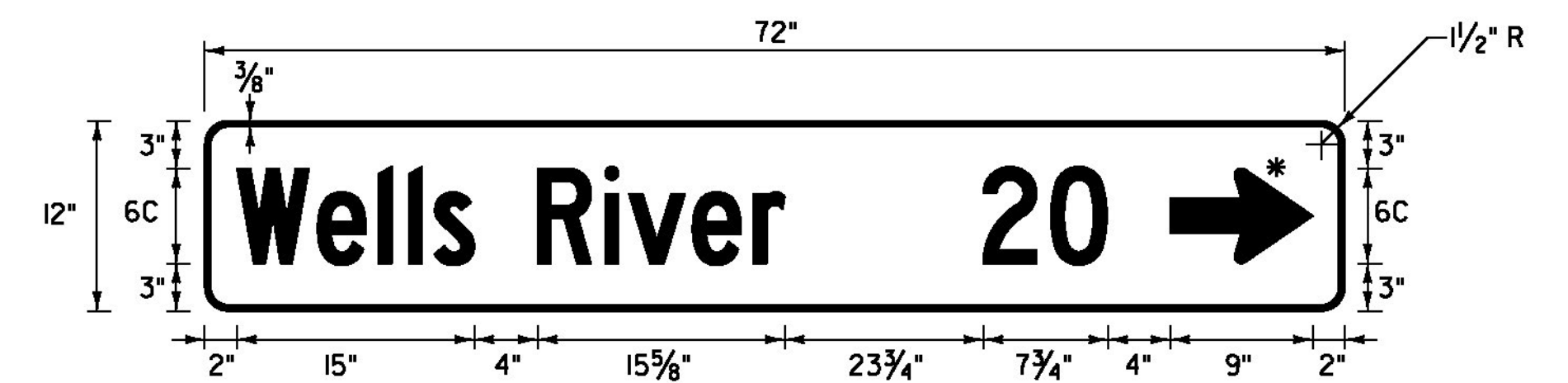
LOCATION: ST. JOHNSBURY; U.S. ROUTE 5
STA. 130+00, LT
COLOR: WHITE BORDER, ARROW AND TEXT (RETROREFLECTIVE)
GREEN BACKGROUND (RETROREFLECTIVE)
MATERIAL: 0.125" FLAT SHEET ALUMINUM



VD1-1a

LOCATION: ST. JOHNSBURY; U.S. ROUTE 5
STA. 138+80, LT
COLOR: WHITE BORDER, ARROW AND TEXT (RETROREFLECTIVE)
GREEN BACKGROUND (RETROREFLECTIVE)
MATERIAL: 0.125" FLAT SHEET ALUMINUM

* FOR ARROW DETAIL SEE SHEET 238



VD1-1a

LOCATION: ST. JOHNSBURY; ALT U.S. ROUTE 5
STA. 2+50, LT
COLOR: WHITE BORDER, ARROW AND TEXT (RETROREFLECTIVE)
GREEN BACKGROUND (RETROREFLECTIVE)
MATERIAL: 0.125" FLAT SHEET ALUMINUM

* FOR ARROW DETAIL SEE SHEET 238

NOT TO SCALE

NOTE: SEE TRAFFIC SIGN NOTES ON SHEET 241

**TRAFFIC
SIGN
DETAIL
SHEET #7**

PROJECT NAME: ST JOHNSBURY - LYNDON
PROJECT NUMBER: STP 2936(1)

FILE NAME: pllc308.dgn
PROJECT LEADER: G. EDWARDS
DESIGNED BY: D. DRAPER
PLOT DATE: 5/5/2014
DRAWN BY: D. DRAPER
CHECKED BY: J. LITTLE
SHEET 235 OF 250

