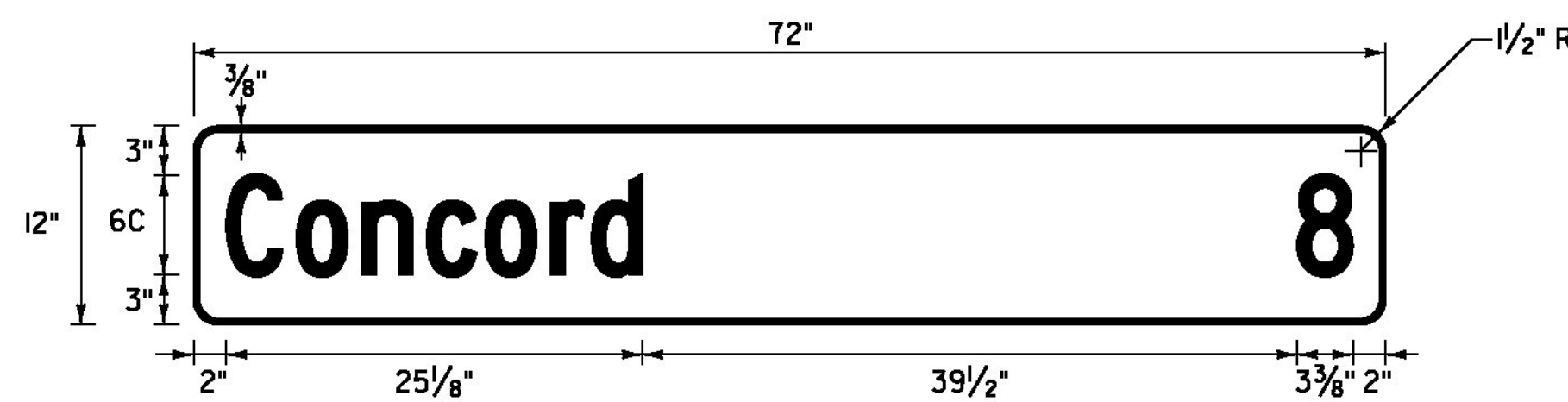


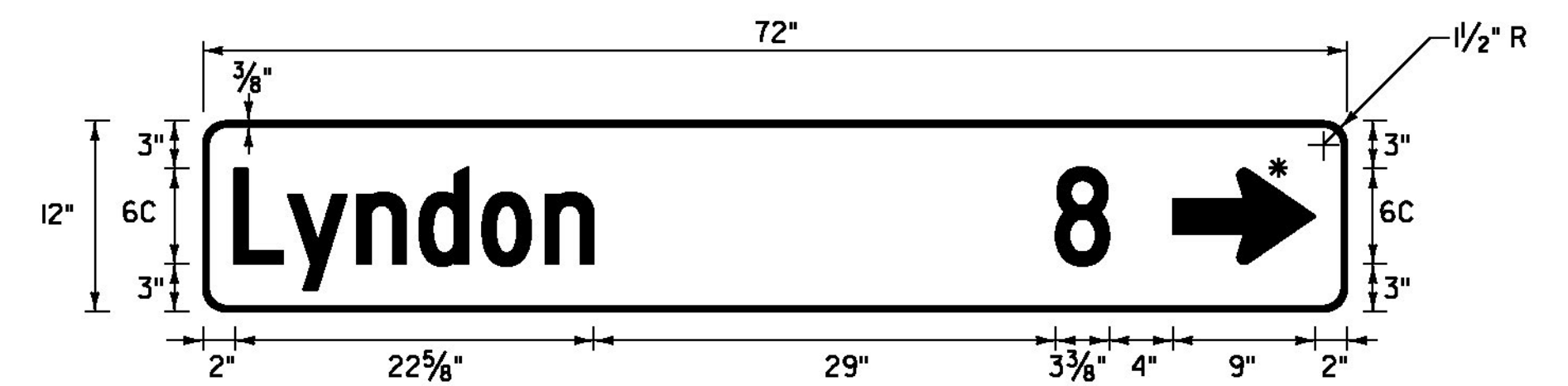
**VD1-1a**

LOCATION: ST. JOHNSBURY, U.S. ROUTE 2  
 STA. 185+82, RT  
 ST. JOHNSBURY, U.S. ROUTE 5  
 STA. 100+03, LT  
 COLOR: WHITE BORDER, ARROW AND TEXT (RETROREFLECTIVE)  
 GREEN BACKGROUND (RETROREFLECTIVE)  
 MATERIAL: 0.125" FLAT SHEET ALUMINUM  
 \* FOR ARROW DETAIL SEE SHEET 238



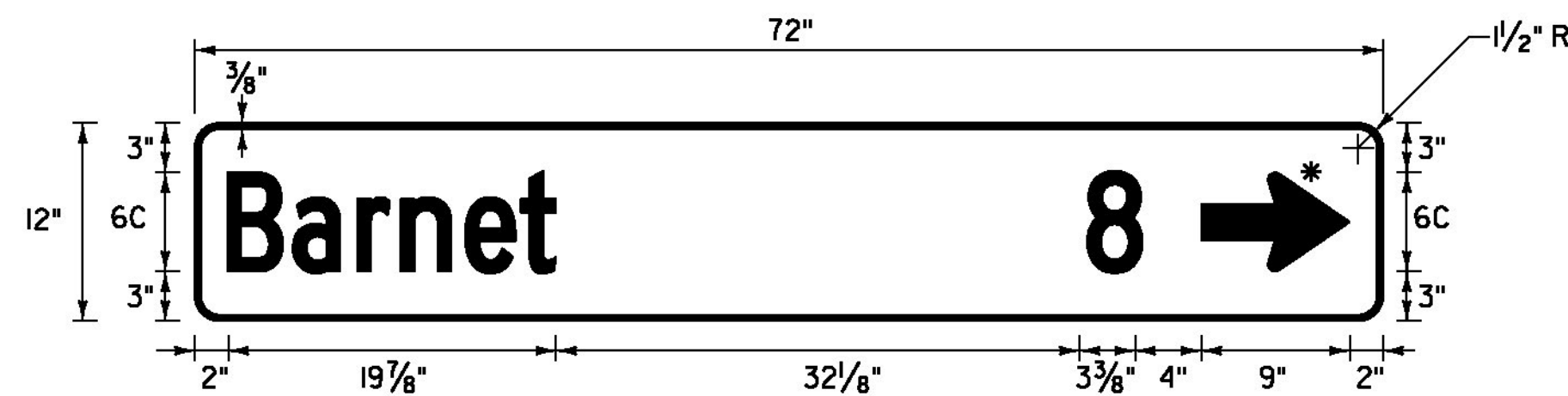
**VD2-1**

LOCATION: ST. JOHNSBURY, U.S. ROUTE 2  
 STA. 207+23, RT  
 COLOR: WHITE BORDER, ARROW AND TEXT (RETROREFLECTIVE)  
 GREEN BACKGROUND (RETROREFLECTIVE)  
 MATERIAL: 0.125" FLAT SHEET ALUMINUM



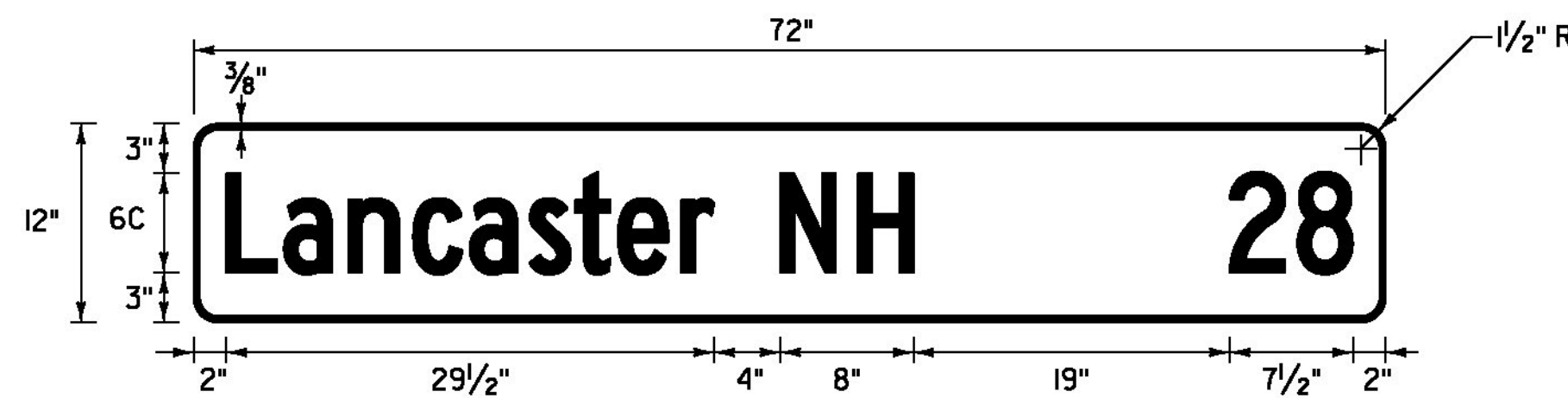
**VD1-1a**

LOCATION: ST. JOHNSBURY, U.S. ROUTE 2  
 STA. 224+19, LT  
 COLOR: WHITE BORDER, ARROW AND TEXT (RETROREFLECTIVE)  
 GREEN BACKGROUND (RETROREFLECTIVE)  
 MATERIAL: 0.125" FLAT SHEET ALUMINUM  
 \* FOR ARROW DETAIL SEE SHEET 238



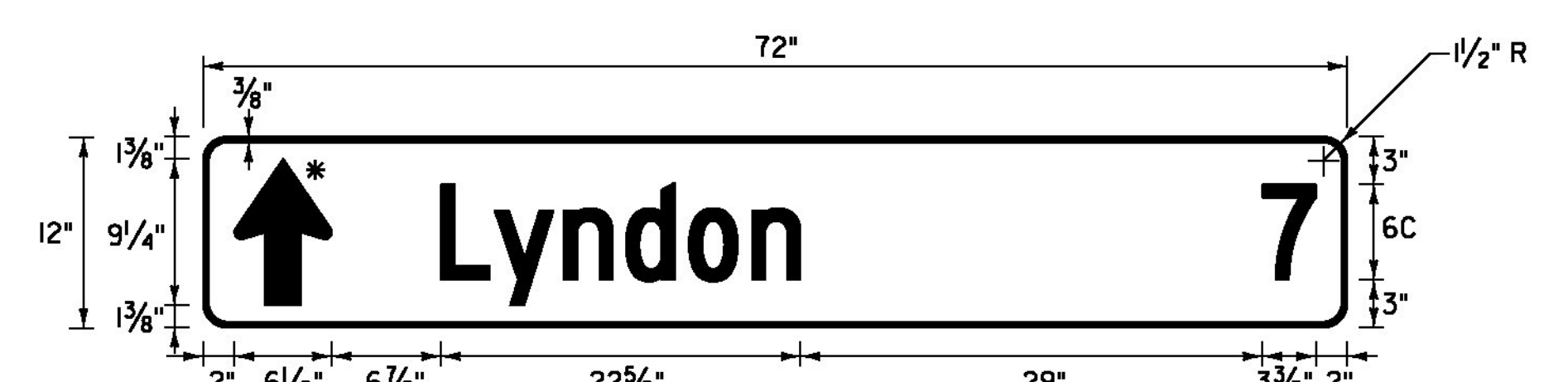
**VD1-1a**

LOCATION: ST. JOHNSBURY, U.S. ROUTE 2  
 STA. 185+82, RT  
 COLOR: WHITE BORDER, ARROW AND TEXT (RETROREFLECTIVE)  
 GREEN BACKGROUND (RETROREFLECTIVE)  
 MATERIAL: 0.125" FLAT SHEET ALUMINUM  
 \* FOR ARROW DETAIL SEE SHEET 238



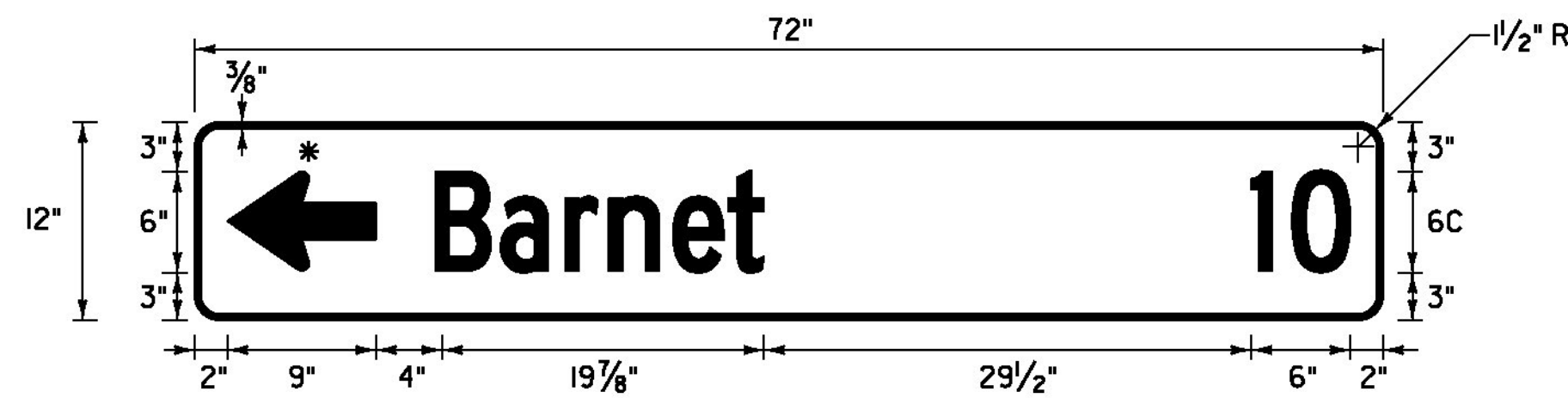
**VD2-1**

LOCATION: ST. JOHNSBURY, U.S. ROUTE 2  
 STA. 207+23, RT  
 COLOR: WHITE BORDER, ARROW AND TEXT (RETROREFLECTIVE)  
 GREEN BACKGROUND (RETROREFLECTIVE)  
 MATERIAL: 0.125" FLAT SHEET ALUMINUM



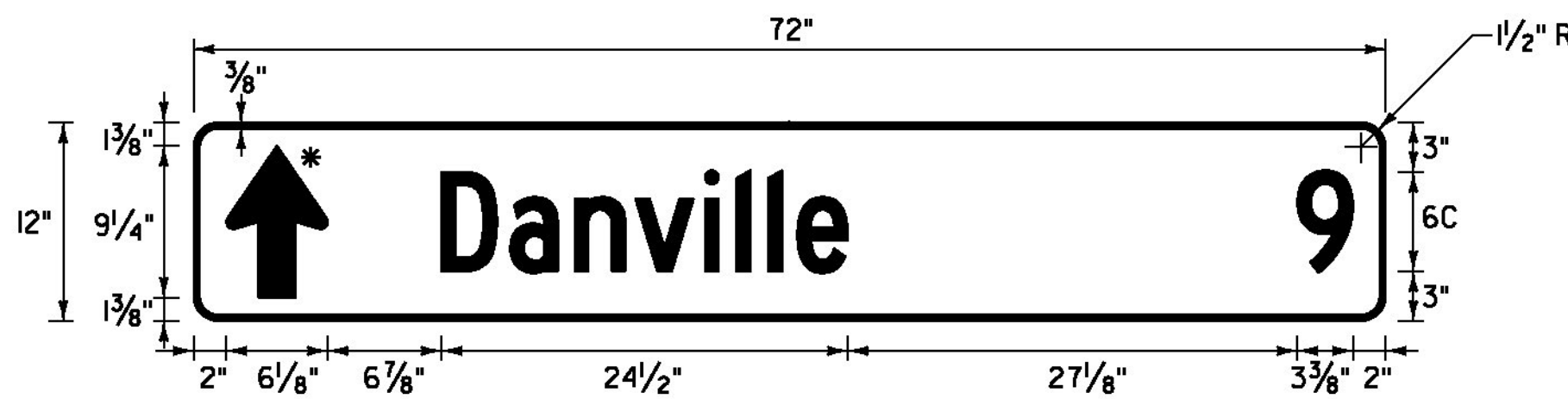
**VD1-1a**

LOCATION: ST. JOHNSBURY, U.S. ROUTE 5  
 STA. 85+79, RT  
 COLOR: WHITE BORDER, ARROW AND TEXT (RETROREFLECTIVE)  
 GREEN BACKGROUND (RETROREFLECTIVE)  
 MATERIAL: 0.125" FLAT SHEET ALUMINUM  
 \* FOR ARROW DETAIL SEE SHEET 238



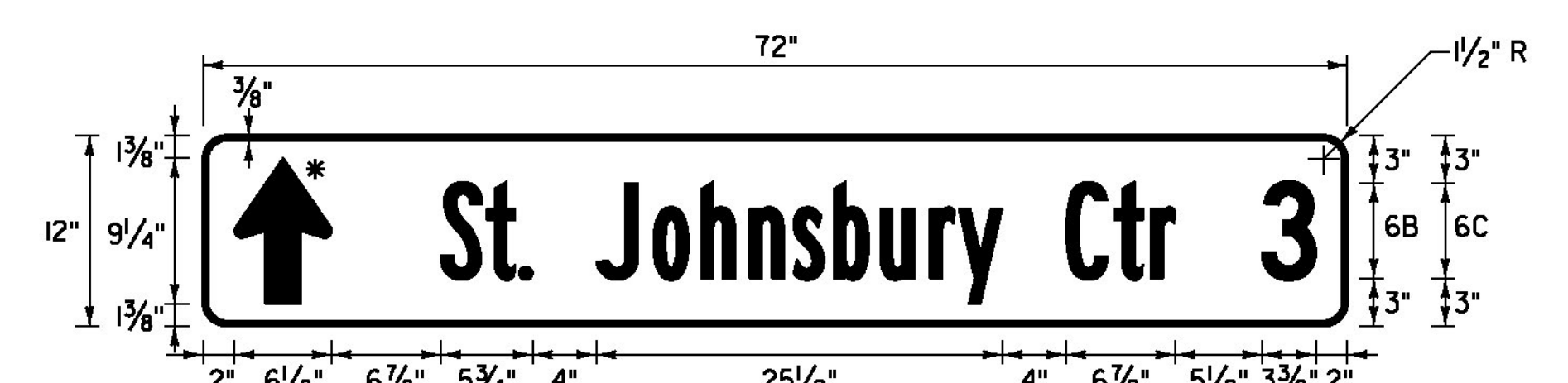
**VD1-1a**

LOCATION: ST. JOHNSBURY, U.S. ROUTE 5  
 STA. 97+10, LT  
 STA. 138+80, LT  
 COLOR: WHITE BORDER, ARROW AND TEXT (RETROREFLECTIVE)  
 GREEN BACKGROUND (RETROREFLECTIVE)  
 MATERIAL: 0.125" FLAT SHEET ALUMINUM  
 \* FOR ARROW DETAIL SEE SHEET 238



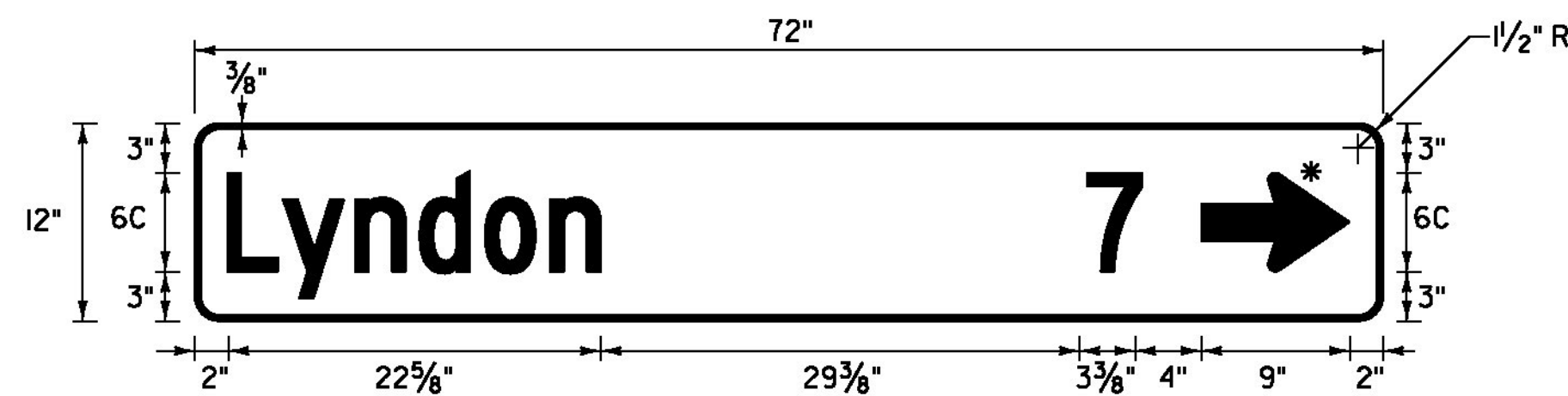
**VD1-1a**

LOCATION: ST. JOHNSBURY, U.S. ROUTE 2  
 STA. 224+19, LT  
 COLOR: WHITE BORDER, ARROW AND TEXT (RETROREFLECTIVE)  
 GREEN BACKGROUND (RETROREFLECTIVE)  
 MATERIAL: 0.125" FLAT SHEET ALUMINUM  
 \* FOR ARROW DETAIL SEE SHEET 238



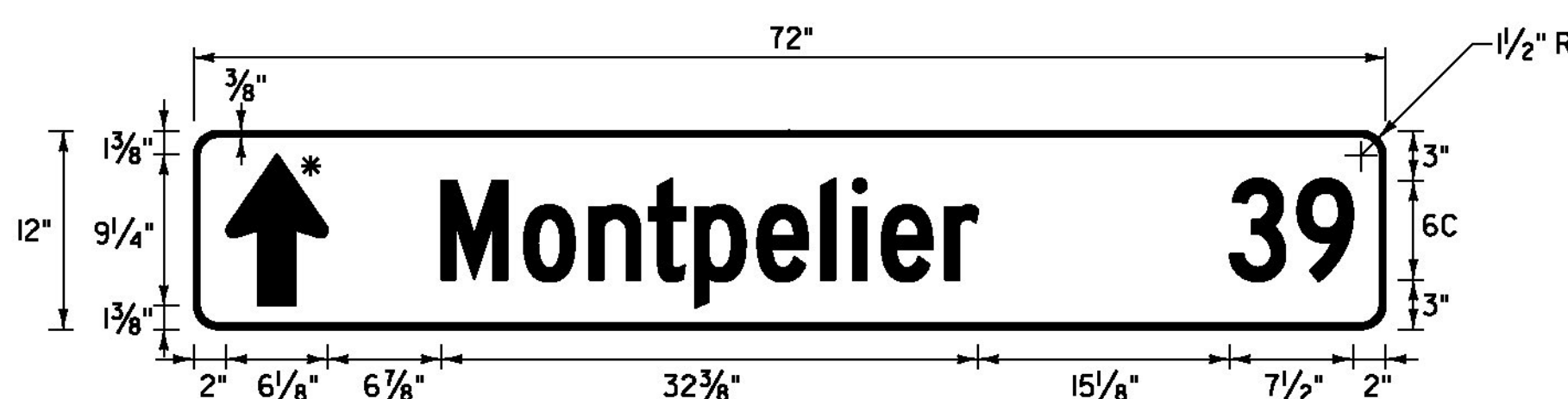
**VD1-1a**

LOCATION: ST. JOHNSBURY, U.S. ROUTE 5  
 STA. 85+79, RT  
 COLOR: WHITE BORDER, ARROW AND TEXT (RETROREFLECTIVE)  
 GREEN BACKGROUND (RETROREFLECTIVE)  
 MATERIAL: 0.125" FLAT SHEET ALUMINUM  
 \* FOR ARROW DETAIL SEE SHEET 238



**VD1-1a**

LOCATION: ST. JOHNSBURY, U.S. ROUTE 5  
 STA. 97+10, LT  
 COLOR: WHITE BORDER, ARROW AND TEXT (RETROREFLECTIVE)  
 GREEN BACKGROUND (RETROREFLECTIVE)  
 MATERIAL: 0.125" FLAT SHEET ALUMINUM  
 \* FOR ARROW DETAIL SEE SHEET 238



**VD1-1a**

LOCATION: ST. JOHNSBURY, U.S. ROUTE 2  
 STA. 224+19, LT  
 COLOR: WHITE BORDER, ARROW AND TEXT (RETROREFLECTIVE)  
 GREEN BACKGROUND (RETROREFLECTIVE)  
 MATERIAL: 0.125" FLAT SHEET ALUMINUM  
 \* FOR ARROW DETAIL SEE SHEET 238



**VD2-1**

LOCATION: ST. JOHNSBURY, U.S. ROUTE 5  
 STA. 85+82, LT  
 ST. JOHNSBURY, ALT U.S. ROUTE 5  
 STA. 19+89, LT  
 COLOR: WHITE BORDER, ARROW AND TEXT (RETROREFLECTIVE)  
 GREEN BACKGROUND (RETROREFLECTIVE)  
 MATERIAL: 0.125" FLAT SHEET ALUMINUM  
 NOTE: SEE TRAFFIC SIGN NOTES ON SHEET 241

**TRAFFIC SIGN  
 DETAIL  
 SHEET #6**

PROJECT NAME: ST JOHNSBURY - LYNDON  
 PROJECT NUMBER: STP 2936(I)  
 FILE NAME: pllc308.dgn  
 PROJECT LEADER: G. EDWARDS  
 DESIGNED BY: D. DRAPER  
 PLOT DATE: 5/5/2014  
 DRAWN BY: D. DRAPER  
 CHECKED BY: J. LITTLE  
 SHEET 234 OF 250

