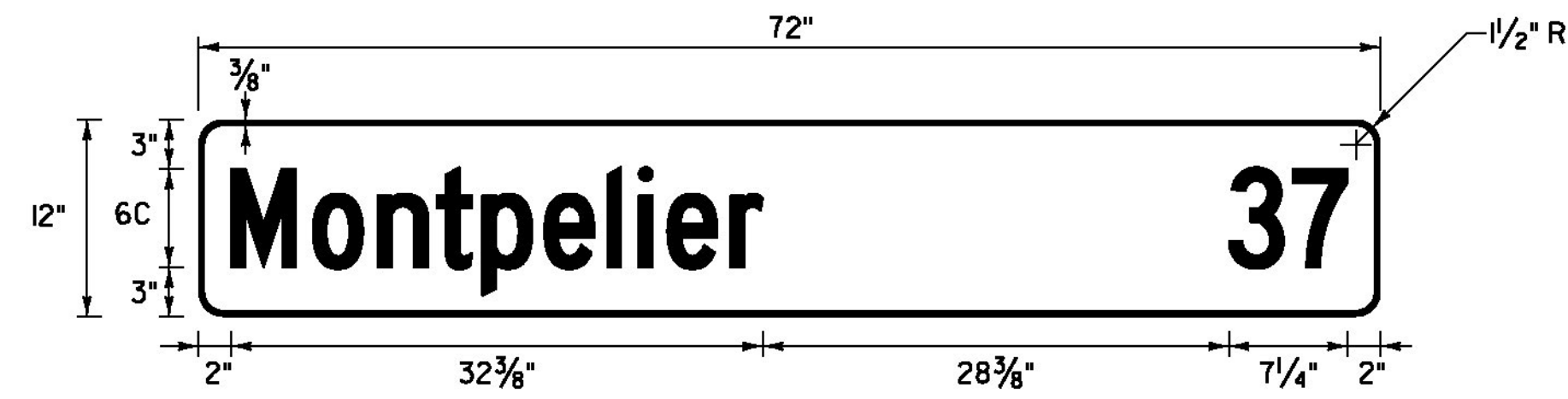


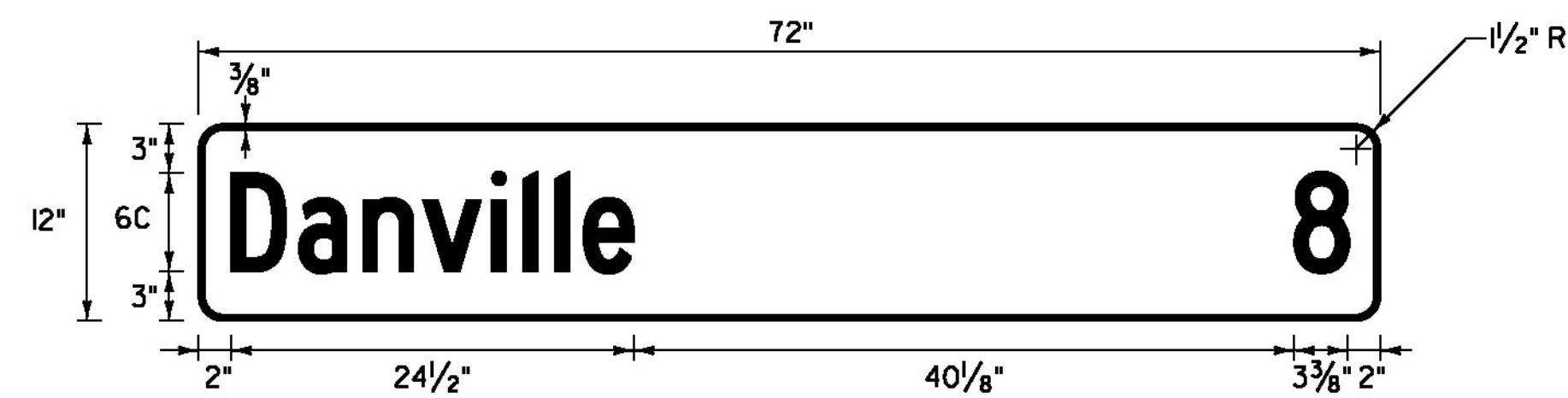
**VD2-1**

LOCATION: ST. JOHNSBURY; U.S. ROUTE 2  
STA. 143+55, LT  
COLOR: WHITE BORDER, ARROW AND TEXT (RETROREFLECTIVE)  
GREEN BACKGROUND (RETROREFLECTIVE)  
MATERIAL: 0.125" FLAT SHEET ALUMINUM



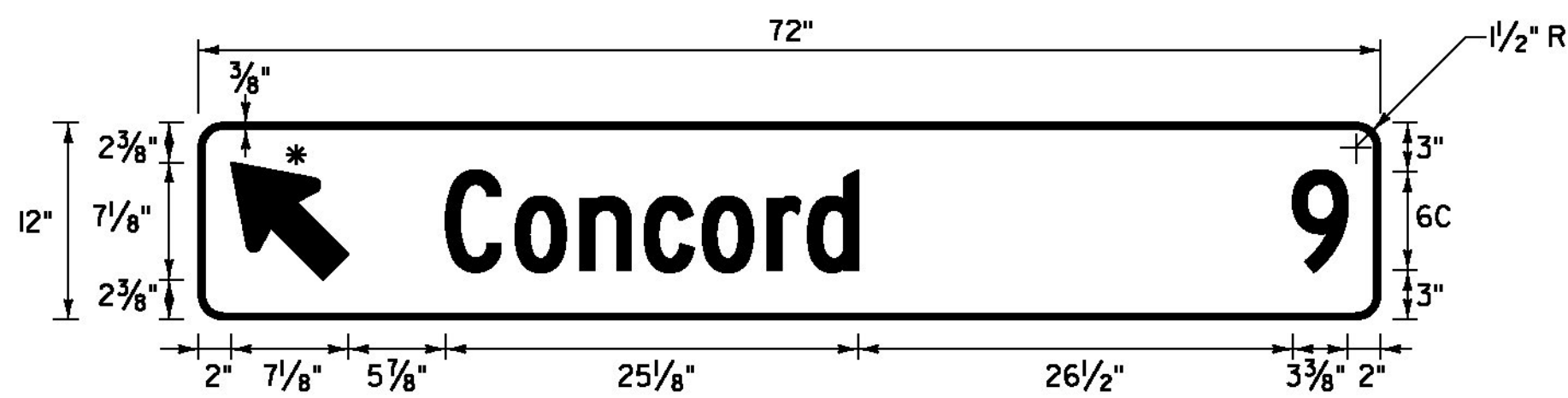
**VD2-1**

LOCATION: ST. JOHNSBURY; U.S. ROUTE 2  
STA. 143+55, LT  
STA. 161+50, LT  
COLOR: WHITE BORDER, ARROW AND TEXT (RETROREFLECTIVE)  
GREEN BACKGROUND (RETROREFLECTIVE)  
MATERIAL: 0.125" FLAT SHEET ALUMINUM



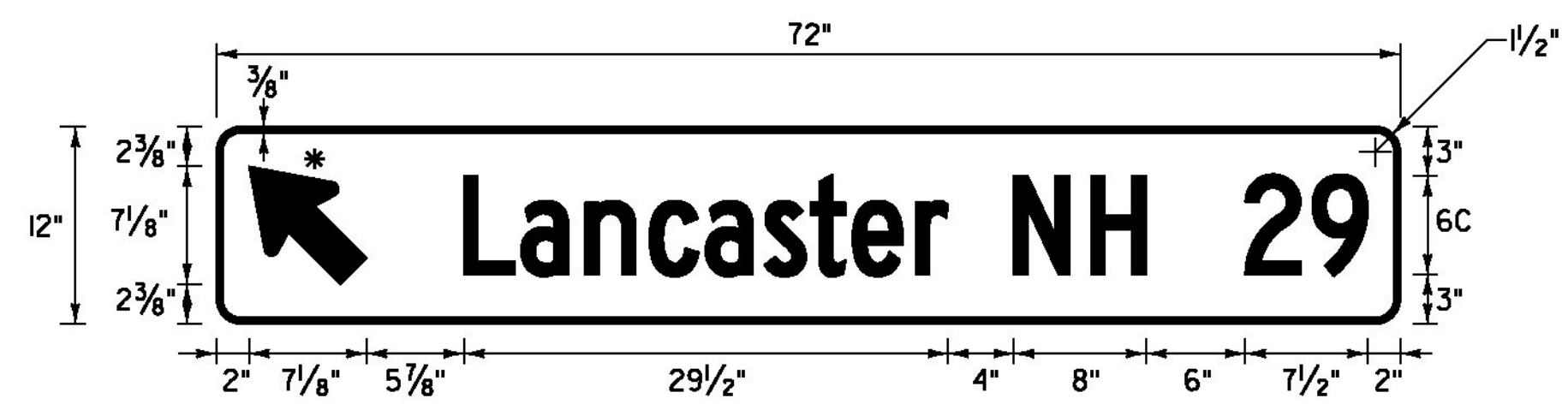
**VD2-1**

LOCATION: ST. JOHNSBURY; U.S. ROUTE 2  
STA. 161+50, LT  
ST. JOHNSBURY; ALT. U.S. ROUTE 5  
STA. 4+00, RT  
COLOR: WHITE BORDER, ARROW AND TEXT (RETROREFLECTIVE)  
GREEN BACKGROUND (RETROREFLECTIVE)  
MATERIAL: 0.125" FLAT SHEET ALUMINUM



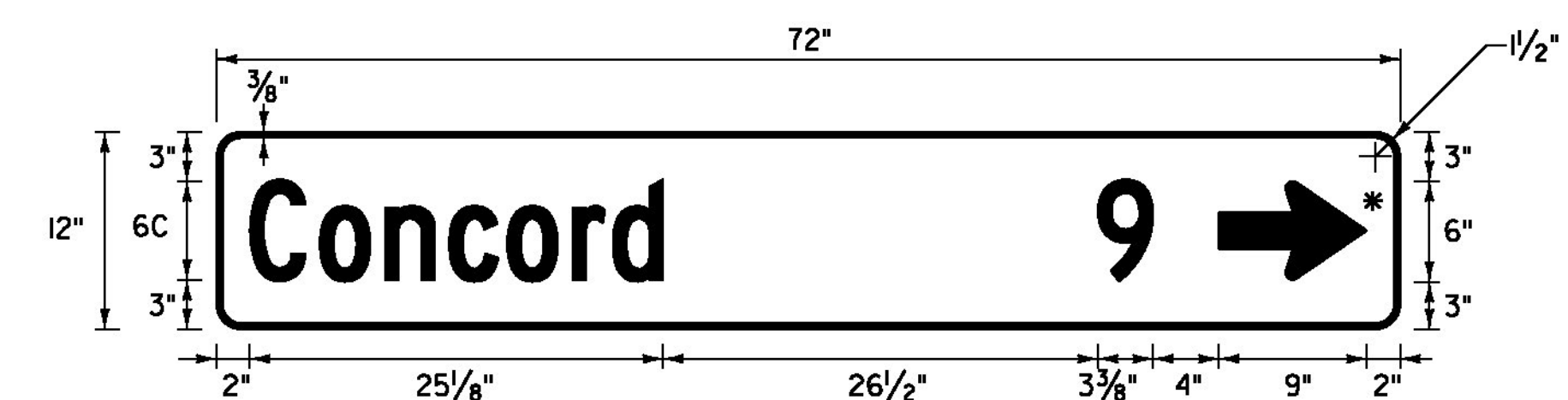
**VD1-1a**

LOCATION: ST. JOHNSBURY; U.S. ROUTE 2  
STA. 166+50, RT  
COLOR: WHITE BORDER, ARROW AND TEXT (RETROREFLECTIVE)  
GREEN BACKGROUND (RETROREFLECTIVE)  
MATERIAL: 0.125" FLAT SHEET ALUMINUM  
\* FOR ARROW DETAIL SEE SHEET 238



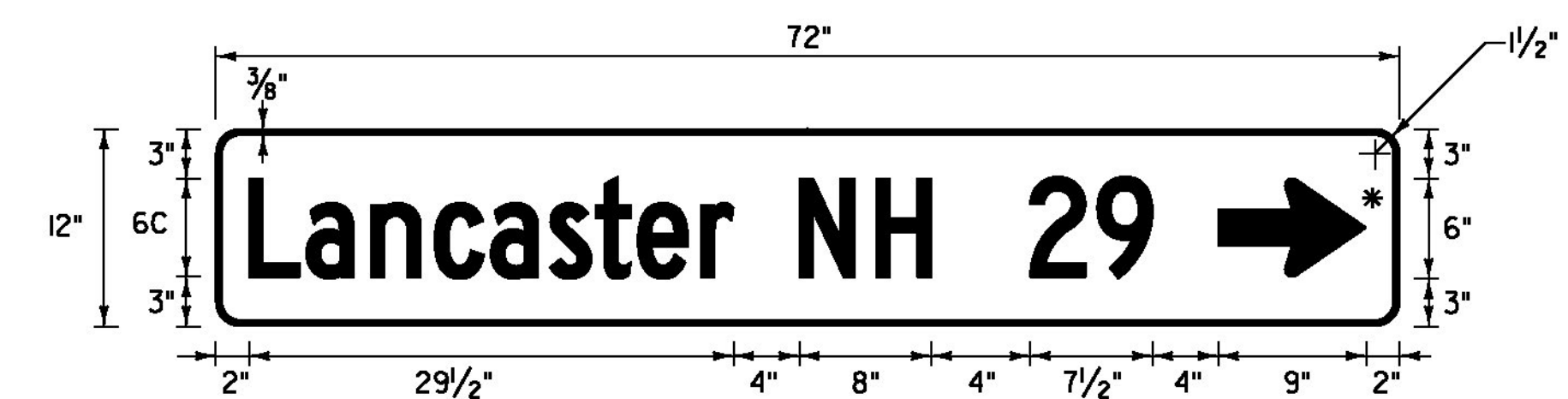
**VD1-1a**

LOCATION: ST. JOHNSBURY; U.S. ROUTE 2  
STA. 166+50, RT  
COLOR: WHITE BORDER, ARROW AND TEXT (RETROREFLECTIVE)  
GREEN BACKGROUND (RETROREFLECTIVE)  
MATERIAL: 0.125" FLAT SHEET ALUMINUM  
\* FOR ARROW DETAIL SEE SHEET 238



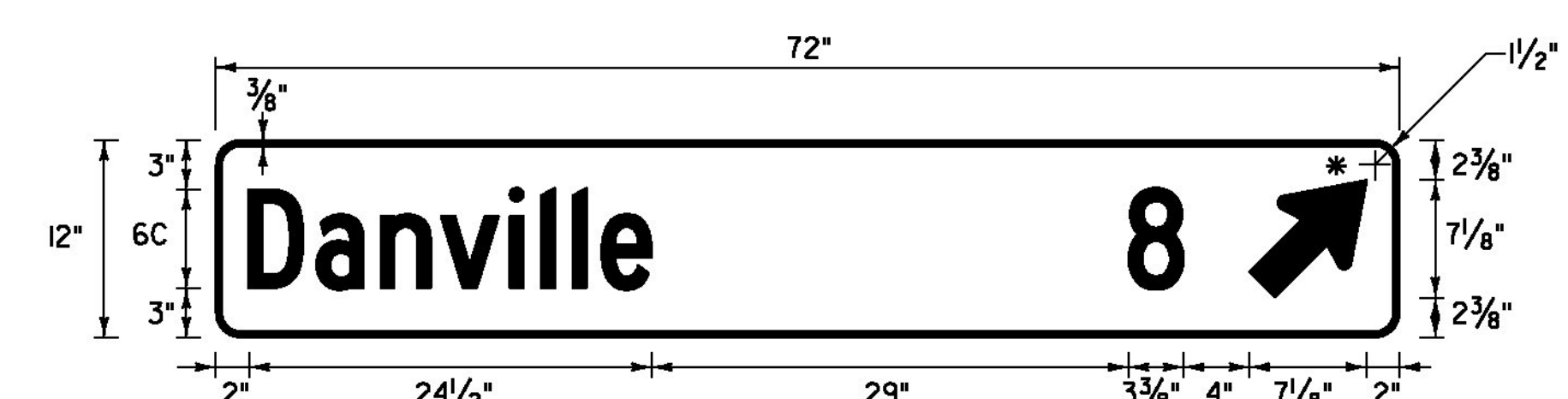
**VD1-1a**

LOCATION: ST. JOHNSBURY; U.S. ROUTE 2  
STA. 174+45, RT  
COLOR: WHITE BORDER, ARROW AND TEXT (RETROREFLECTIVE)  
GREEN BACKGROUND (RETROREFLECTIVE)  
MATERIAL: 0.125" FLAT SHEET ALUMINUM  
\* FOR ARROW DETAIL SEE SHEET 238



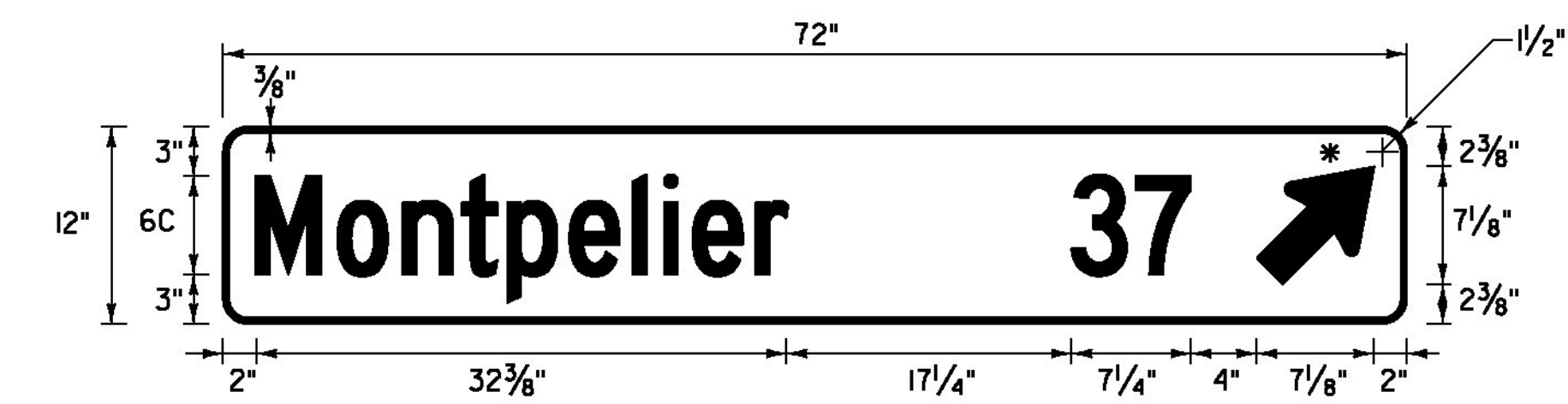
**VD1-1a**

LOCATION: ST. JOHNSBURY; U.S. ROUTE 2  
STA. 174+45, RT  
COLOR: WHITE BORDER, ARROW AND TEXT (RETROREFLECTIVE)  
GREEN BACKGROUND (RETROREFLECTIVE)  
MATERIAL: 0.125" FLAT SHEET ALUMINUM  
\* FOR ARROW DETAIL SEE SHEET 238



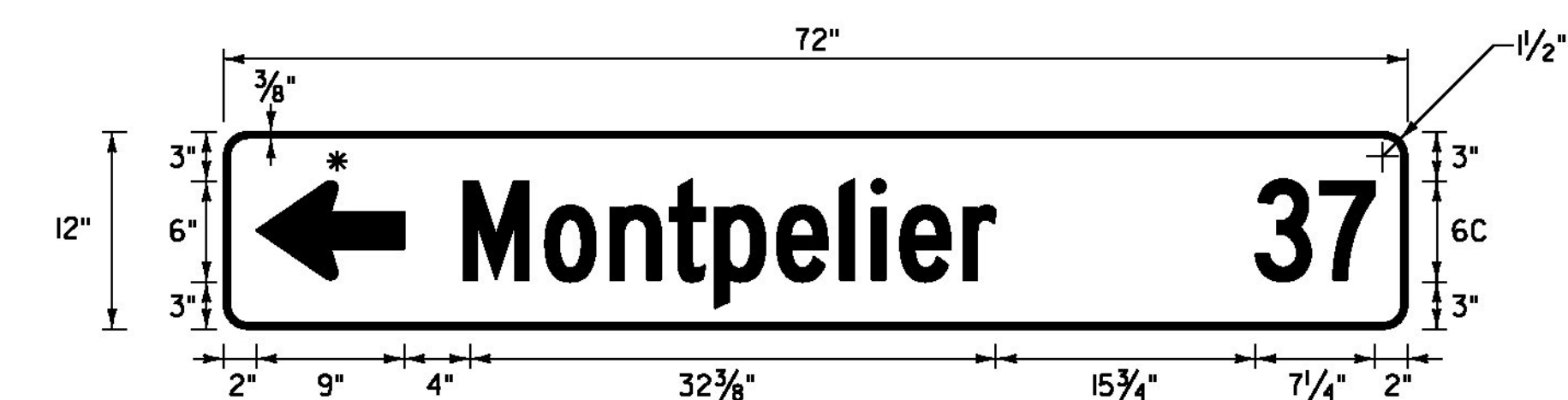
**VD1-1a**

LOCATION: ST. JOHNSBURY; U.S. ROUTE 2  
STA. 175+86, LT  
COLOR: WHITE BORDER, ARROW AND TEXT (RETROREFLECTIVE)  
GREEN BACKGROUND (RETROREFLECTIVE)  
MATERIAL: 0.125" FLAT SHEET ALUMINUM  
\* FOR ARROW DETAIL SEE SHEET 238



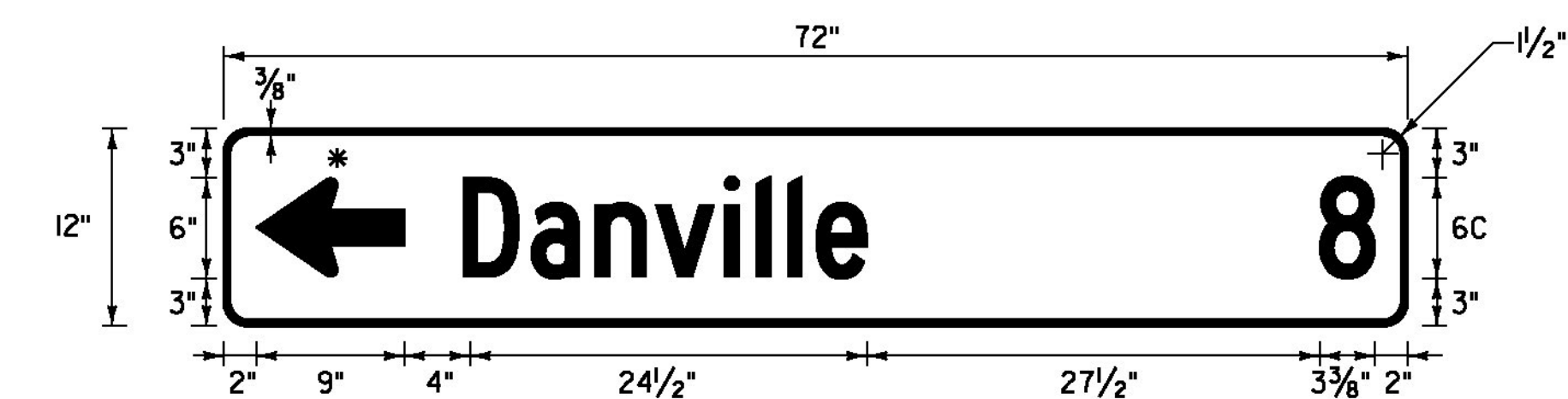
**VD1-1a**

LOCATION: ST. JOHNSBURY; U.S. ROUTE 2  
STA. 175+86, LT  
COLOR: WHITE BORDER, ARROW AND TEXT (RETROREFLECTIVE)  
GREEN BACKGROUND (RETROREFLECTIVE)  
MATERIAL: 0.125" FLAT SHEET ALUMINUM  
\* FOR ARROW DETAIL SEE SHEET 238



**VD1-1a**

LOCATION: ST. JOHNSBURY; U.S. ROUTE 2  
STA. 179+00, LT  
COLOR: WHITE BORDER, ARROW AND TEXT (RETROREFLECTIVE)  
GREEN BACKGROUND (RETROREFLECTIVE)  
MATERIAL: 0.125" FLAT SHEET ALUMINUM  
\* FOR ARROW DETAIL SEE SHEET 238



**VD1-1a**

LOCATION: ST. JOHNSBURY; U.S. ROUTE 2  
STA. 179+00, LT  
ST. JOHNSBURY; U.S. ROUTE 5  
STA. 85+79, RT  
STA. 97+10, LT  
ST. JOHNSBURY; ALT. U.S. ROUTE 5  
STA. 20+62, RT  
COLOR: WHITE BORDER, ARROW AND TEXT (RETROREFLECTIVE)  
GREEN BACKGROUND (RETROREFLECTIVE)  
MATERIAL: 0.125" FLAT SHEET ALUMINUM  
\* FOR ARROW DETAIL SEE SHEET 238

NOT TO SCALE

NOTE: SEE TRAFFIC SIGN NOTES ON SHEET 241

**TRAFFIC  
SIGN  
DETAIL  
SHEET #5**

PROJECT NAME: ST JOHNSBURY - LYNDON  
PROJECT NUMBER: STP 2936(I)  
FILE NAME: pllc308.dgn  
PROJECT LEADER: G. EDWARDS  
DESIGNED BY: D. DRAPER  
PLOT DATE: 5/5/2014  
DRAWN BY: D. DRAPER  
CHECKED BY: J. LITTLE  
SHEET 233 OF 250

