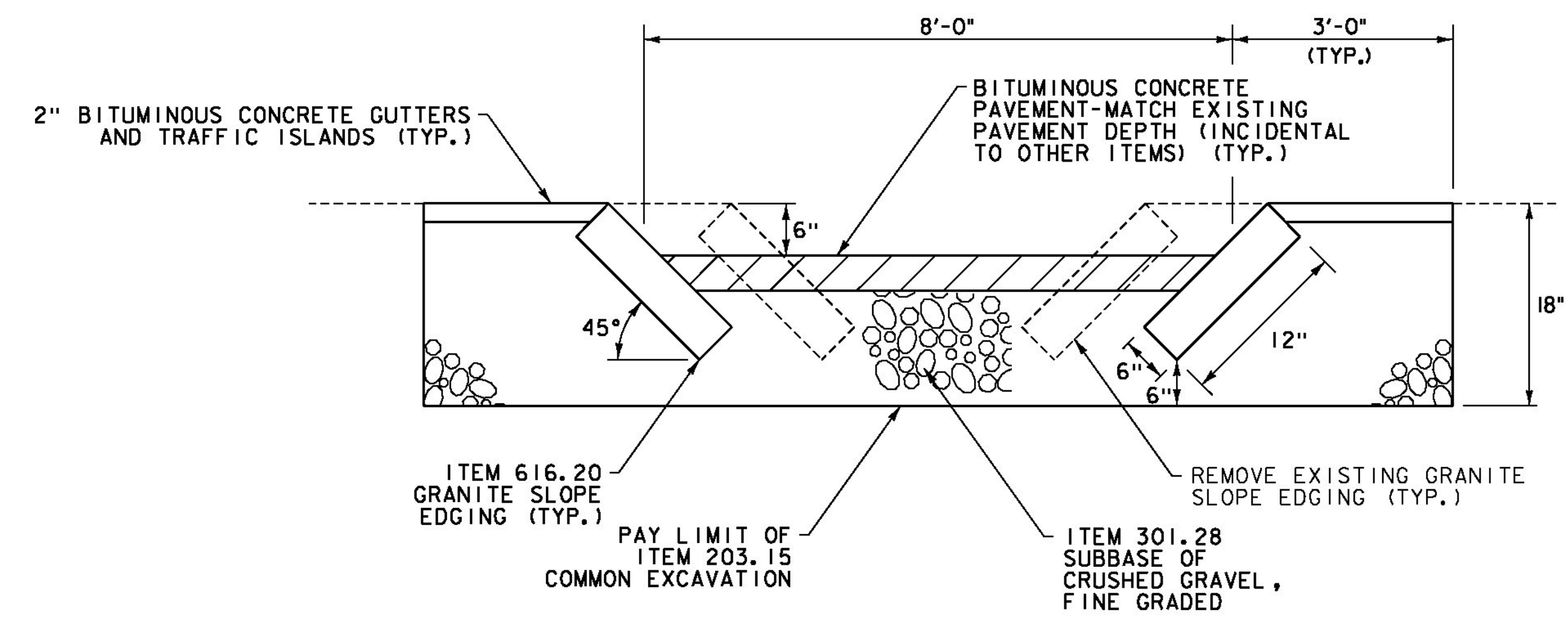


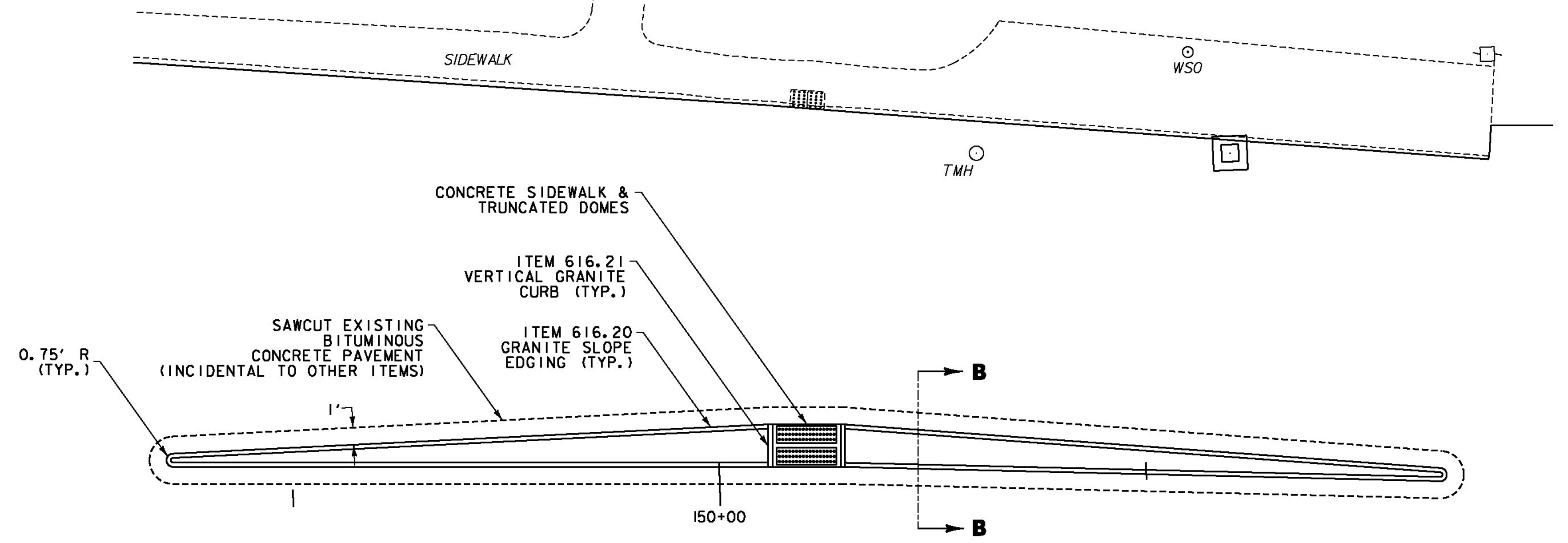
**PLAN VIEW**



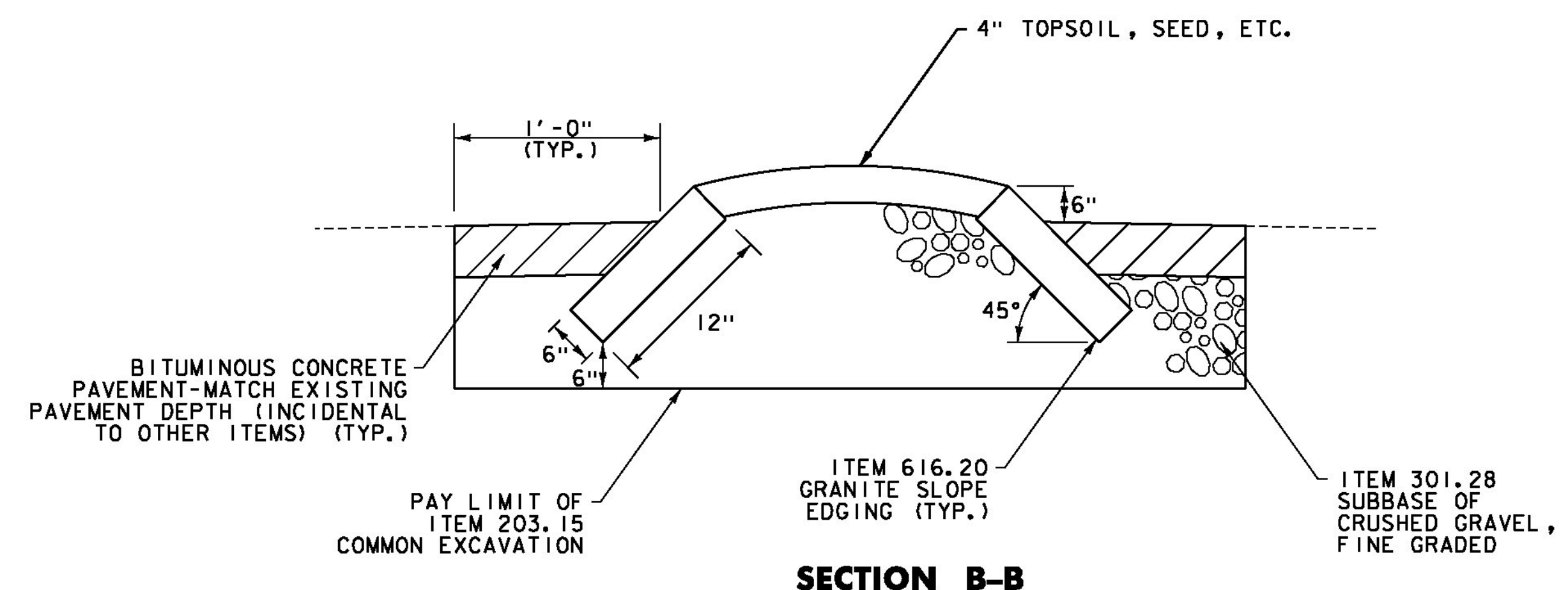
**SECTION A-A**

**MEDIAN ISLAND RECONSTRUCTION DETAIL**

ST. JOHNSBURY U.S. ROUTE 2 STA. 148+54, LT



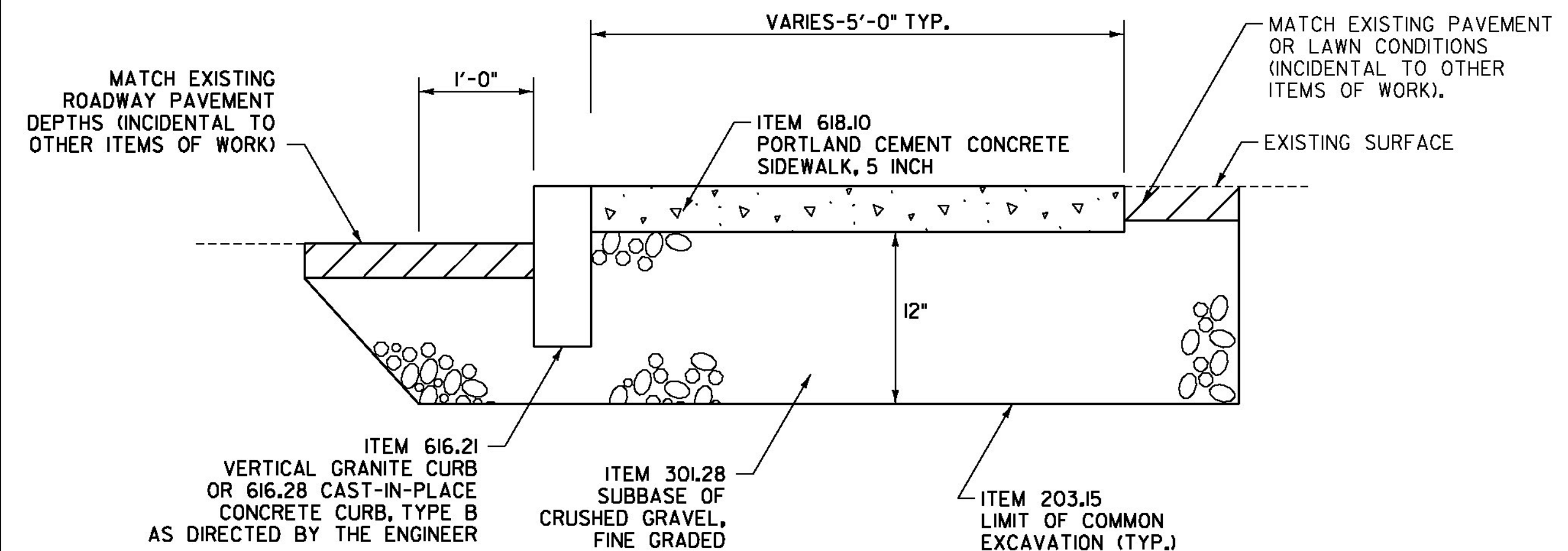
**PLAN VIEW**



**SECTION B-B**

**CENTER ISLAND DETAIL**

LYNDON U.S. ROUTE 5 STA. 149+35 TO 150+85, LT



**5 INCH SIDEWALK WITH 12 INCH SUBBASE DETAIL**

ST. JOHNSBURY U.S. ROUTE 2 STA. 231+60, RT (CONCRETE CURB)  
 ST. JOHNSBURY U.S. ROUTE 5 STA. 112+97, RT (MILL ST.) (CONCRETE CURB)  
 ST. JOHNSBURY U.S. ROUTE 5 STA. 118+75, LT TO 119+41, RT (GRANITE CURB)  
 ST. JOHNSBURY U.S. ROUTE 5 STA. 141+97, LT TO 142+38, LT (GRANITE CURB)

NOT TO SCALE

**MISCELLANEOUS  
DETAIL  
SHEET #4**



PROJECT NAME: ST JOHNSBURY - LYNDON	
PROJECT NUMBER: STP 2936(I)	
FILE NAME: pllc308.dgn	PLOT DATE: 7/25/2014
PROJECT LEADER: G. EDWARDS	DRAWN BY: D. DRAPER
DESIGNED BY: D. DRAPER	CHECKED BY: J. LITTLE
SHEET 57 OF 250	