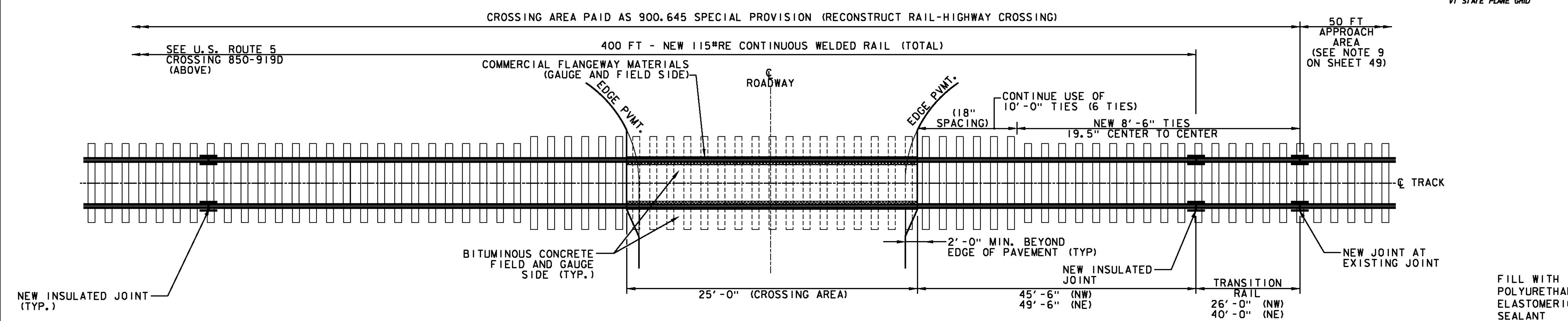
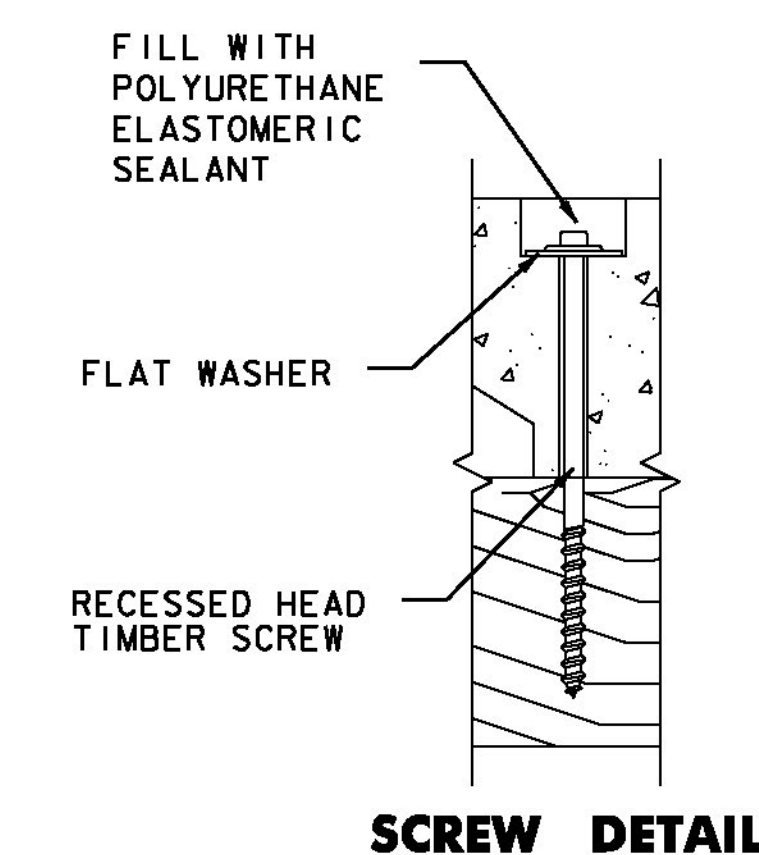


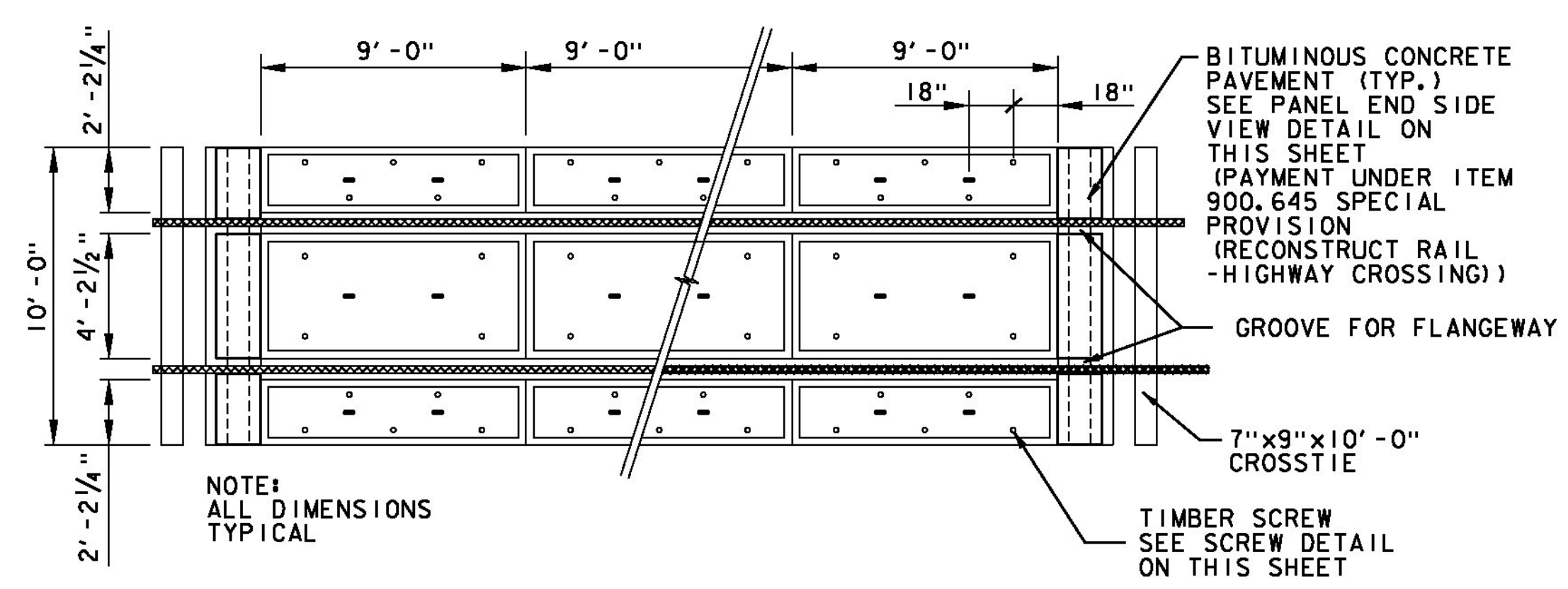
**TYPICAL PLAN VIEW  
LYNDON U.S. ROUTE 5 CROSSING (STA. 140+63) AARDOT #850-919D**



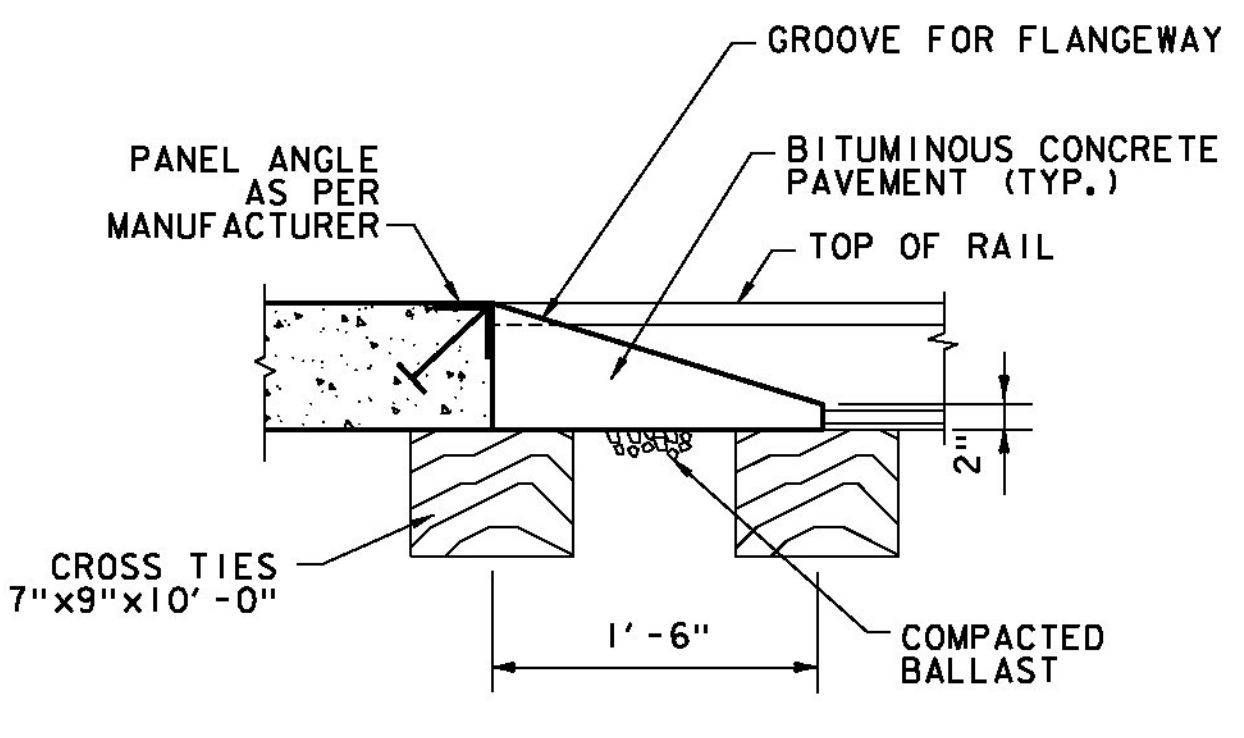
**TYPICAL PLAN VIEW  
HILL STREET CROSSING AARDOT #850-918W  
LYNDON U.S. ROUTE 5 STA 143+02, RT**



**SCREW DETAIL**



**TYPICAL PLAN VIEW OF CROSSING PANELS**



**PANEL END SIDE VIEW**



NOT TO SCALE	
<b>RAILROAD CROSSING DETAIL SHEET #17</b>	
PROJECT NAME: ST JOHNSBURY - LYNDON	PLOT DATE: 5/5/2014
PROJECT NUMBER: STP 2936(I)	DRAWN BY: D. DRAPER
FILE NAME: pllc308.dgn	CHECKED BY: J. LITTLE
PROJECT LEADER: G. EDWARDS	SHEET 48 OF 250
DESIGNED BY: D. DRAPER	