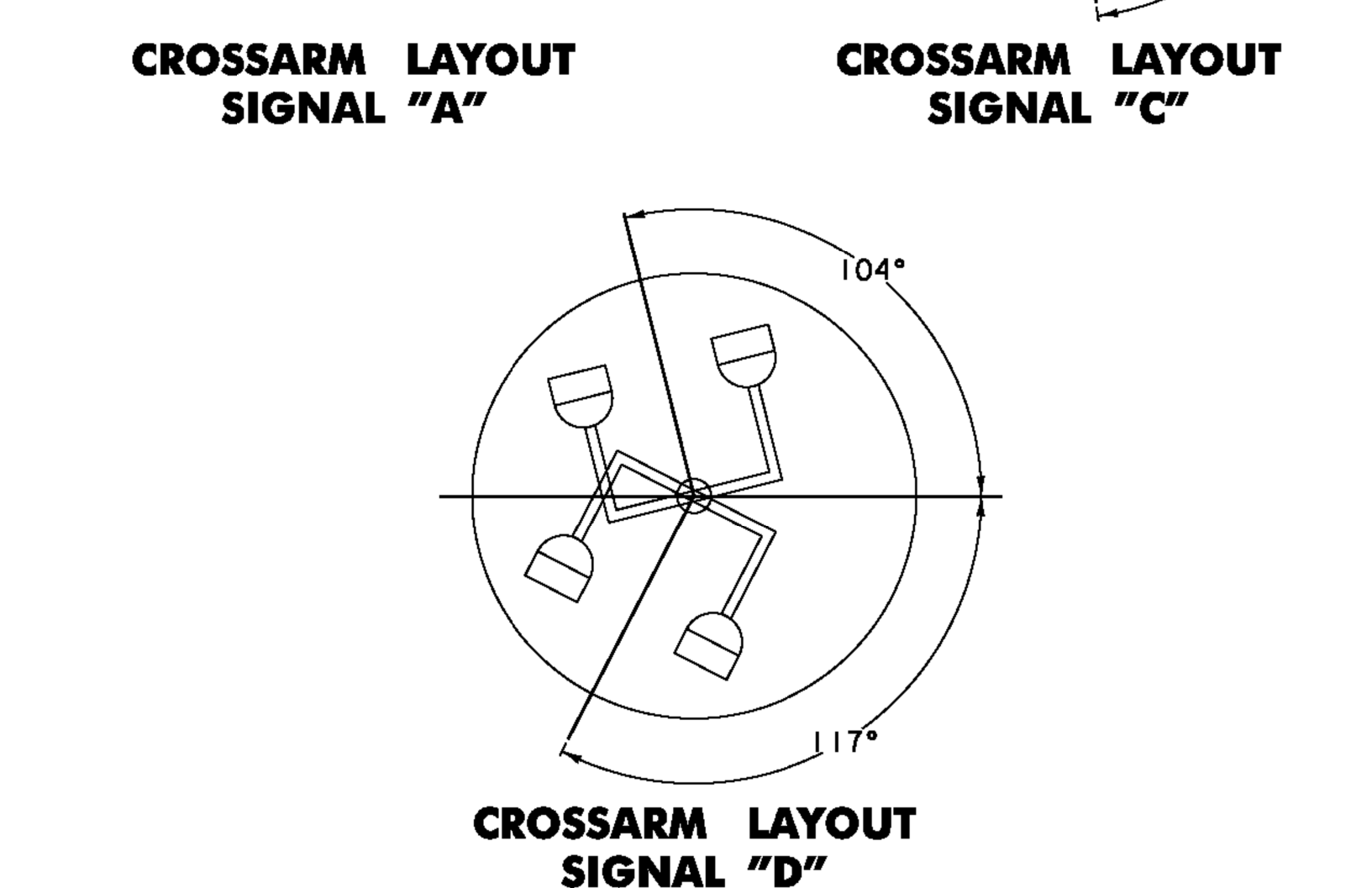
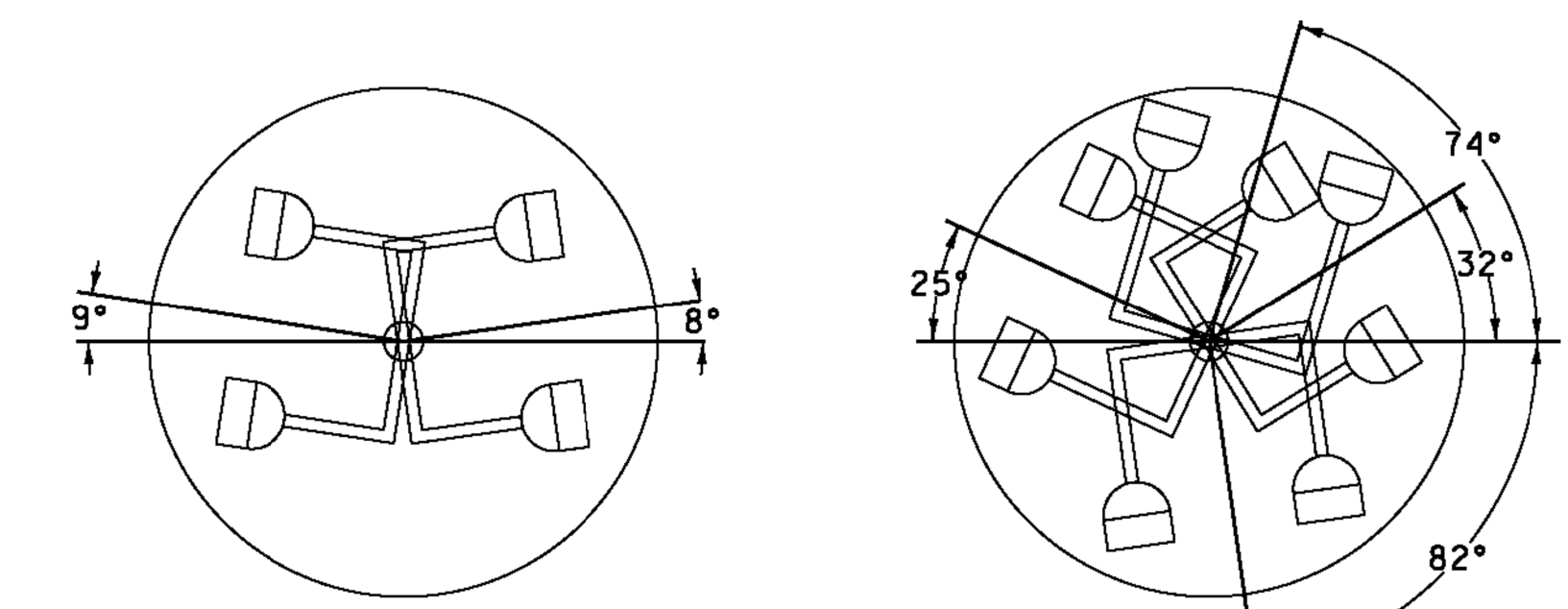


ITEM 900.645 SPECIAL PROVISION  
(RAIL-HIGHWAY CROSSING ACTIVE WARNING SYSTEM) (AARDOT 850-919D)  
LYNDON U.S. ROUTE 5 STA. 140+66, RT

QUANTITY	UNIT	DESCRIPTION
1	EA	REMOVE EXISTING SIGNAL ASSEMBLY (SIGNAL "B")
1	EA	REMOVE EXISTING BLOCK SIGNAL ASSEMBLY AND FOUNDATION
1	LS	REMOVE EXISTING RAILROAD UTILITY POLES AND WIRES
1	EA	SIGNAL ASSEMBLY WITH MAST (SIGNAL "B")
4	EA	12" LED RAILROAD SIGNAL HEAD (SIGNAL "A")
2	EA	LAMP CROSSARM WITH BRACKETS (SIGNAL "A")
1	EA	ELECTRONIC WARNING BELL
680	LF	WIRED CONDUIT (LIGHTING WIRES AND TRACK WIRES. INCLUDES CONNECTION TO AARDOT#850-918W)
1	EA	POWER DROP STANCHION (INCLUDING ALL HARDWARE AND CONNECTIONS)

ITEM 900.645 SPECIAL PROVISION  
(RAIL-HIGHWAY CROSSING ACTIVE WARNING SYSTEM) (AARDOT 850-918W)  
LYNDON U.S. ROUTE 5 STA. 143+02, RT

QUANTITY	UNIT	DESCRIPTION
12	EA	12" LED RAILROAD SIGNAL HEAD
6	EA	LAMP CROSSARM WITH BRACKETS
1	EA	ELECTRONIC WARNING BELL
240	LF	WIRED CONDUIT (TRACK WIRES AND LIGHTING WIRES)



NOTE:  
1. FOR ADDITIONAL DETAILS & NOTES SEE SHEETS 47-52

NOT TO SCALE

**RAILROAD CROSSING DETAIL SHEET #15**

**AARDOT #850-919D AND #850-918W**

PROJECT NAME: ST JOHNSBURY - LYNDON	PLOT DATE: 5/5/2014
PROJECT NUMBER: STP 2936(I)	DRAWN BY: D. DRAPER
FILE NAME: pllc308.dgn	CHECKED BY: J. LITTLE
PROJECT LEADER: G. EDWARDS	SHEET 46 OF 250
DESIGNED BY: D. DRAPER	

