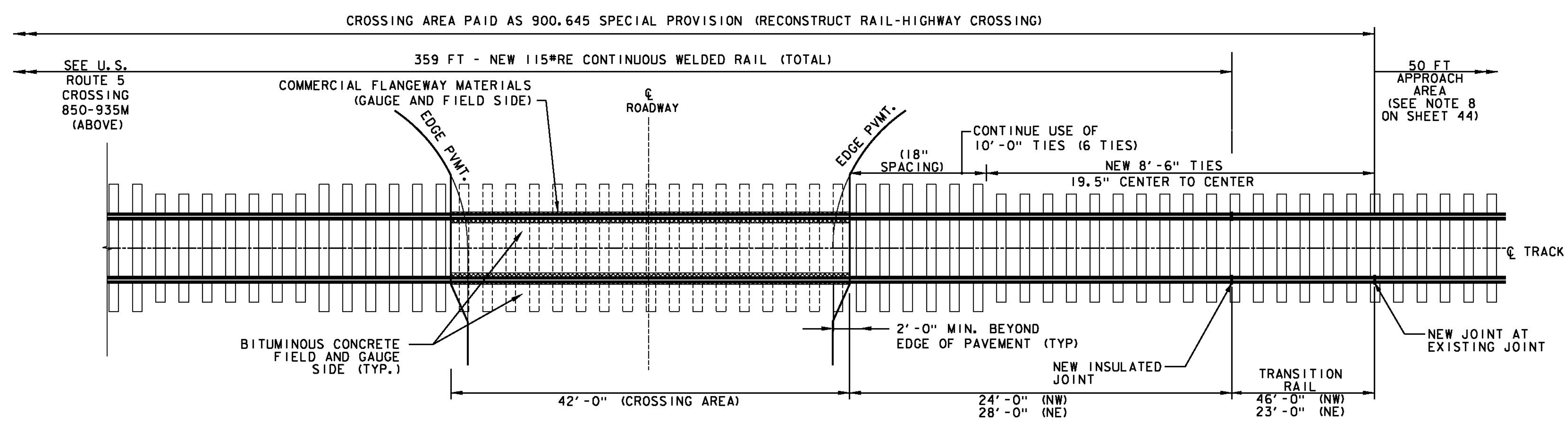
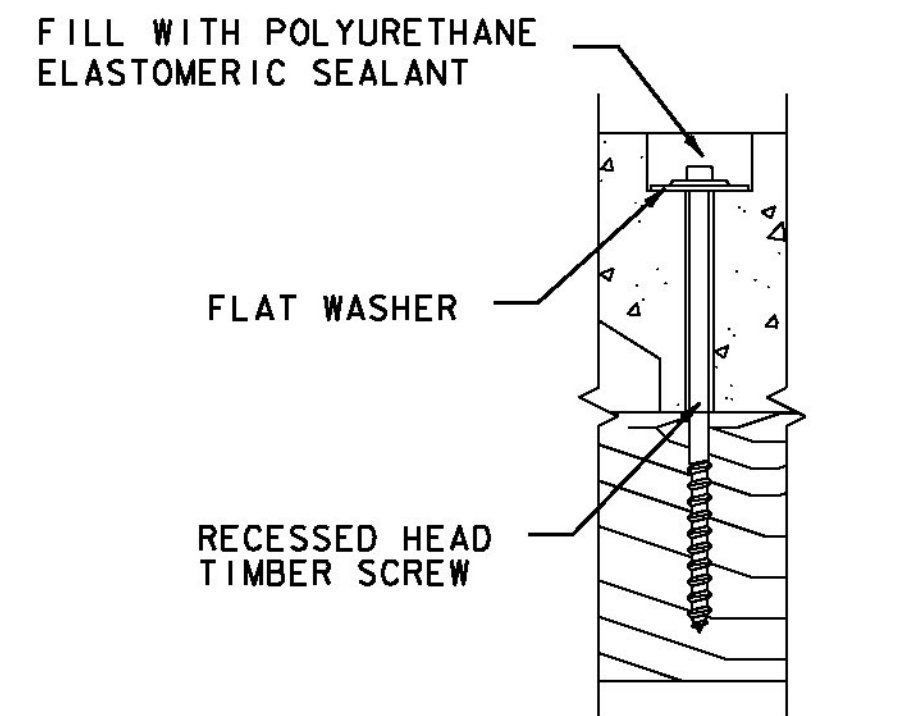
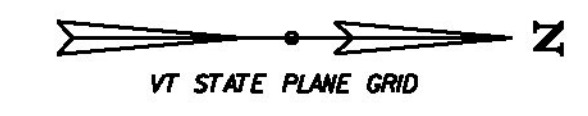


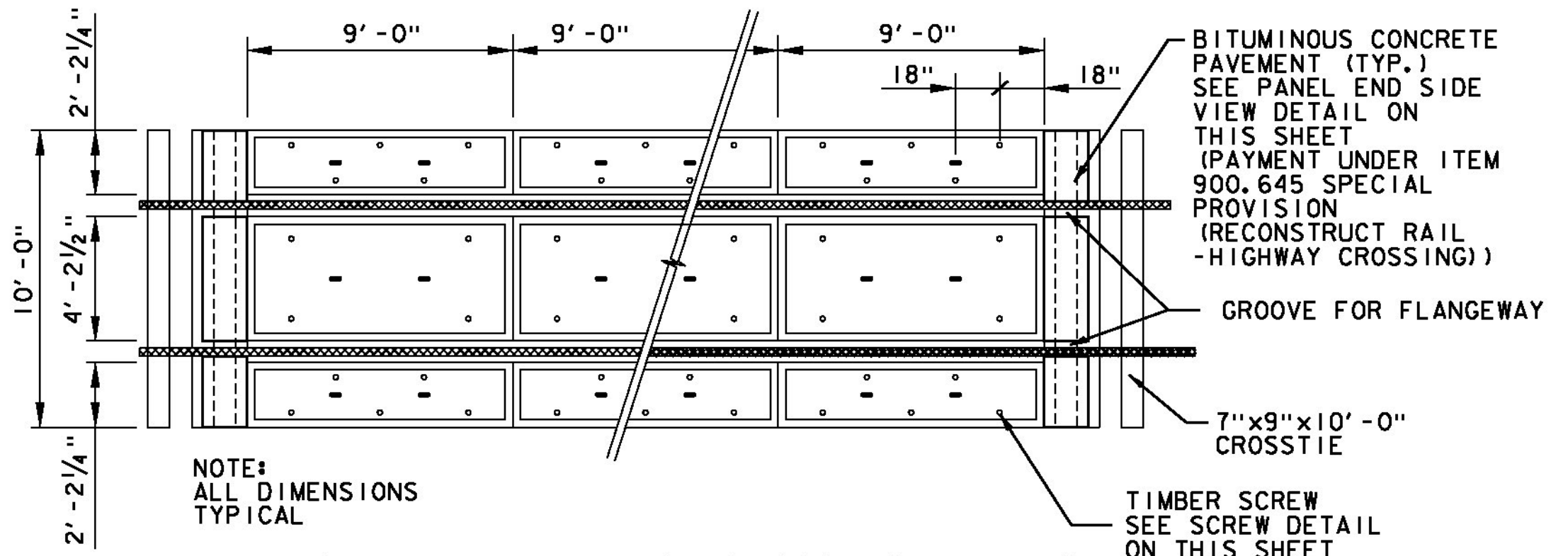
**TYPICAL PLAN VIEW
U.S. ROUTE 5 CROSSING AARDOT #850-935M
ST. JOHNSBURY STA. 140+80**



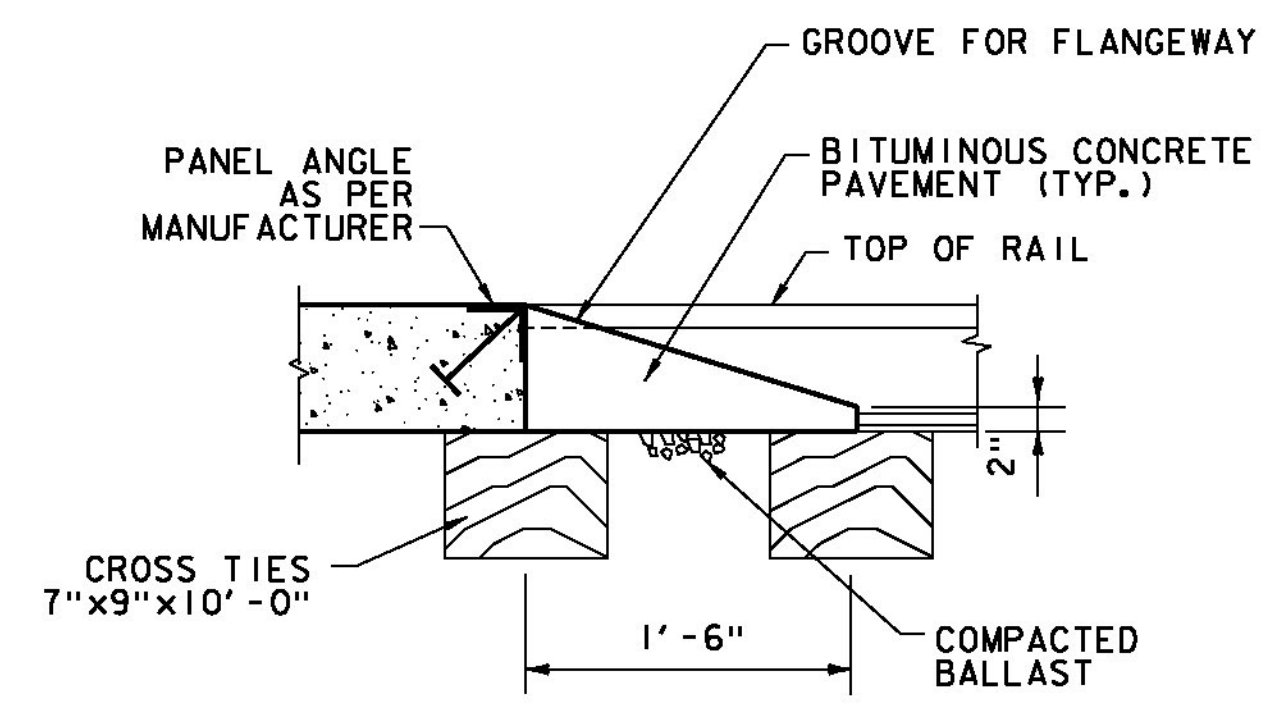
**TYPICAL PLAN VIEW OLD CENTER ROAD AARDOT #850-935M
ST. JOHNSBURY U.S. ROUTE 5 STA 142+60, LT**



SCREW DETAIL



TYPICAL PLAN VIEW OF CROSSING PANELS



PANEL END SIDE VIEW



NOT TO SCALE		AARDOT #850-935M	
RAILROAD CROSSING DETAIL SHEET #12		PROJECT NAME: ST JOHNSBURY - LYNDON	PLOT DATE: 5/5/2014
		PROJECT NUMBER: STP 2936(I)	DRAWN BY: D. DRAPER
		FILE NAME: pllc308.dgn	CHECKED BY: J. LITTLE
		PROJECT LEADER: G. EDWARDS	SHEET 43 OF 250
		DESIGNED BY: D. DRAPER	