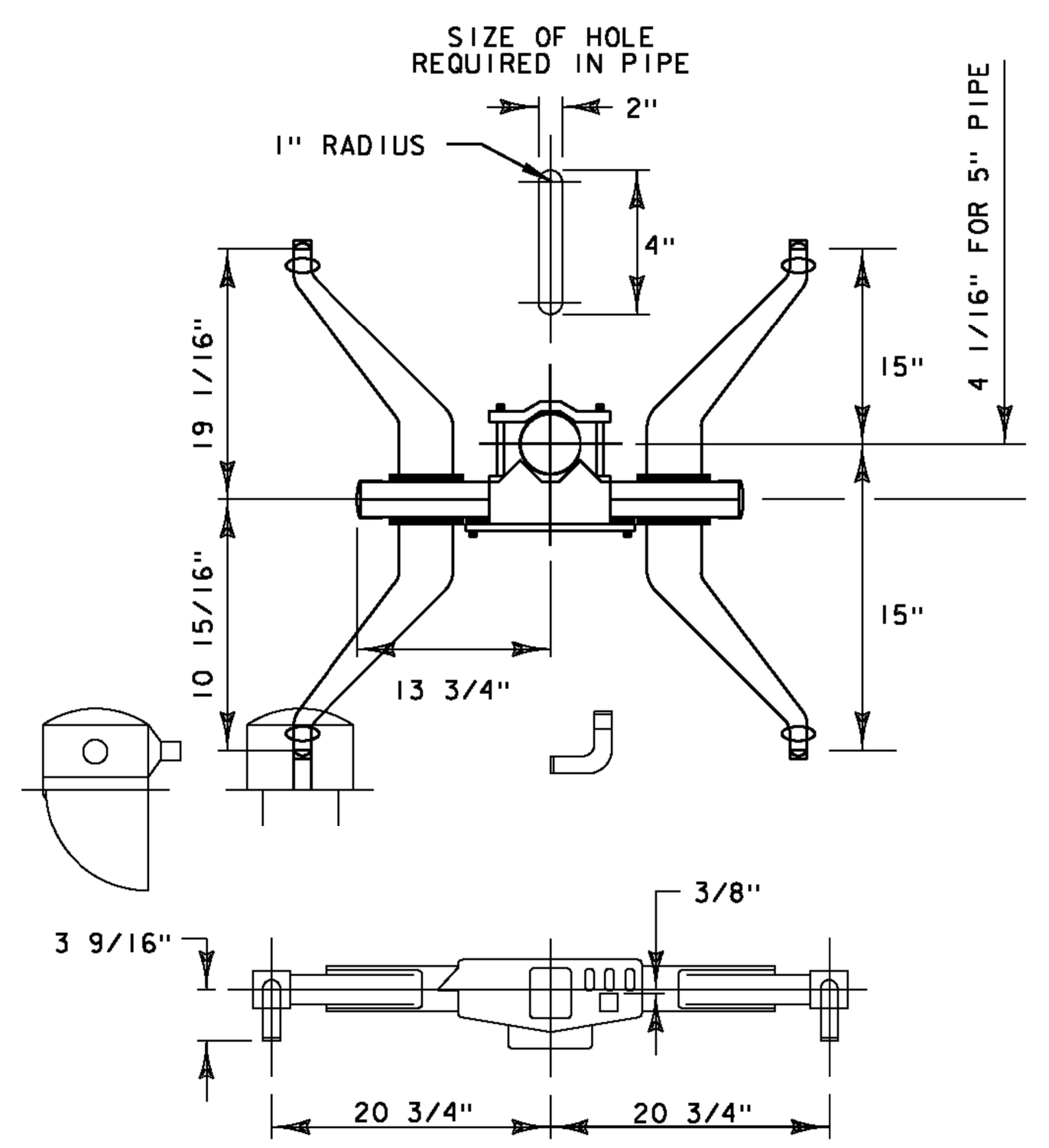


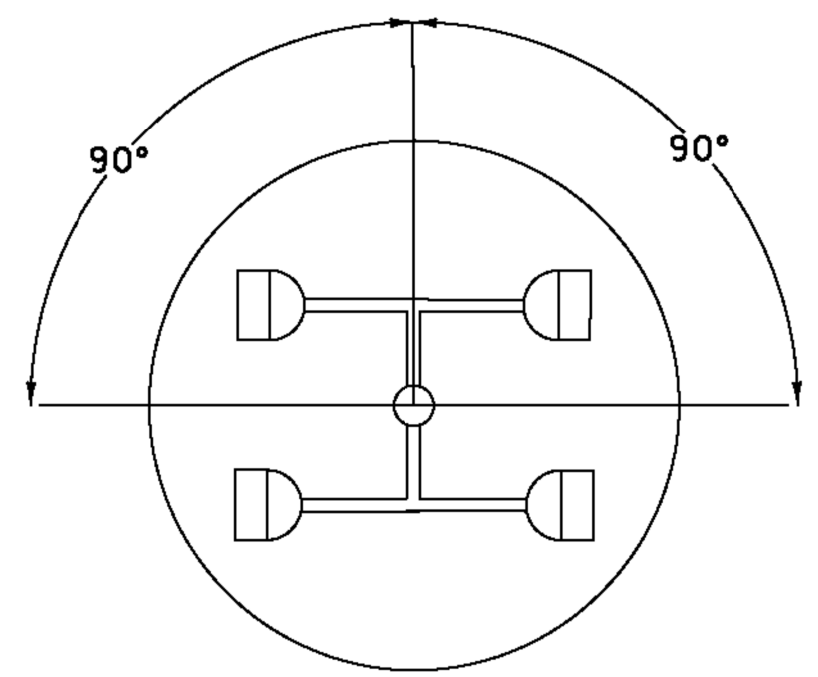
**SIGNAL LAYOUT
U.S. ROUTE 5 CROSSING AND OLD CENTER ROAD AARDOT #850-935M**

ITEM 900.645 SPECIAL PROVISION
(RAIL-HIGHWAY CROSSING ACTIVE WARNING SYSTEM) (AARDOT 850-935M)
ST. JOHNSBURY U.S. ROUTE 5 STA. 142+60, LT

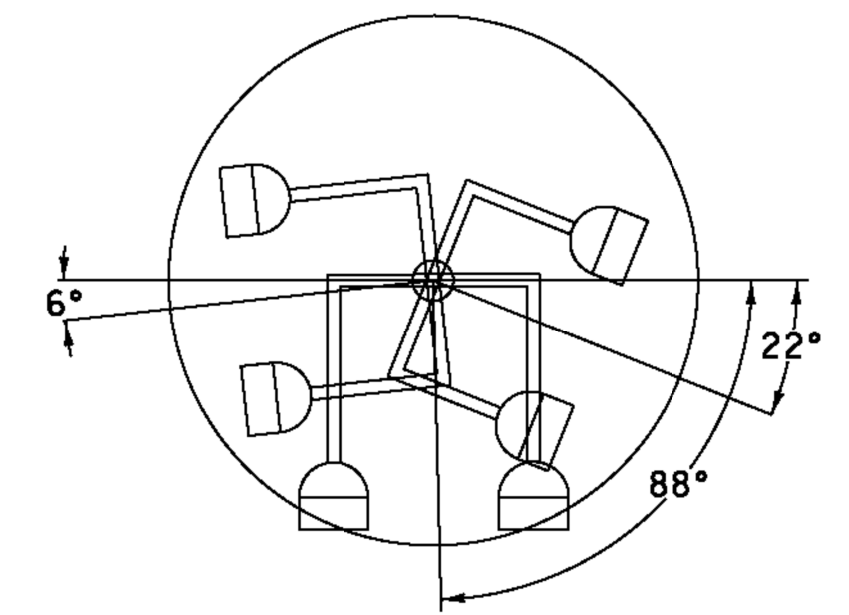
QUANTITY	UNIT	DESCRIPTION
24	EA	12" LED RAILROAD SIGNAL HEAD
10	EA	LAMP CROSSARM WITH BRACKETS
1500	LF	WIRED CONDUIT (LIGHTING WIRE AND TRACK WIRE)



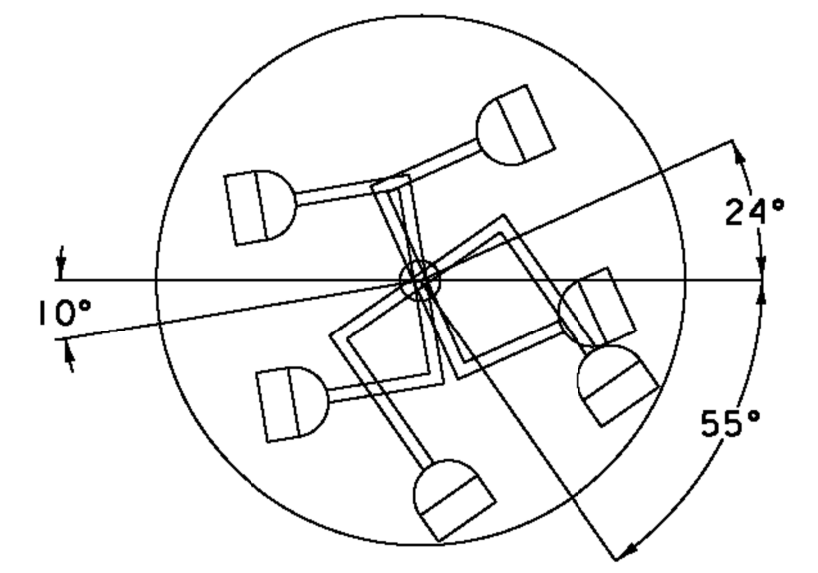
TYPICAL LAMP CROSSARM WITH BRACKETS
NOT TO SCALE



**CROSSARM LAYOUT
SIGNAL "A"
SIGNAL "E"**



**CROSSARM LAYOUT
SIGNAL "B"**



**CROSSARM LAYOUT
SIGNAL "D"**

NOTE:
1. FOR ADDITIONAL DETAILS & NOTES SEE SHEETS 42-45



NOT TO SCALE
**RAILROAD
CROSSING
DETAIL
SHEET #10**

AARDOT #850-935M

PROJECT NAME:	ST JOHNSBURY - LYNDON
PROJECT NUMBER:	STP 2936(I)
FILE NAME:	pllc308.dgn
PROJECT LEADER:	G. EDWARDS
DESIGNED BY:	D. DRAPER
PLOT DATE:	5/5/2014
DRAWN BY:	D. DRAPER
CHECKED BY:	J. LITTLE
SHEET	41 OF 250