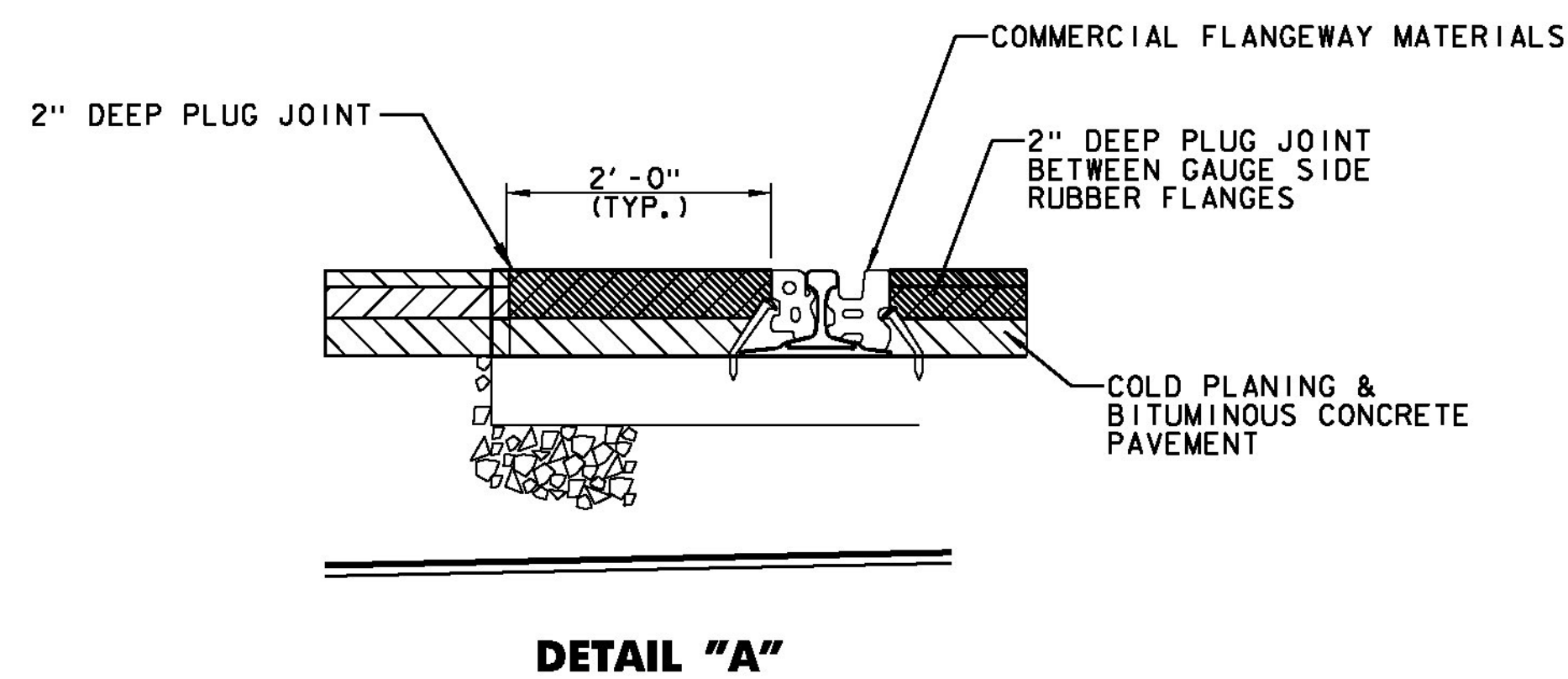
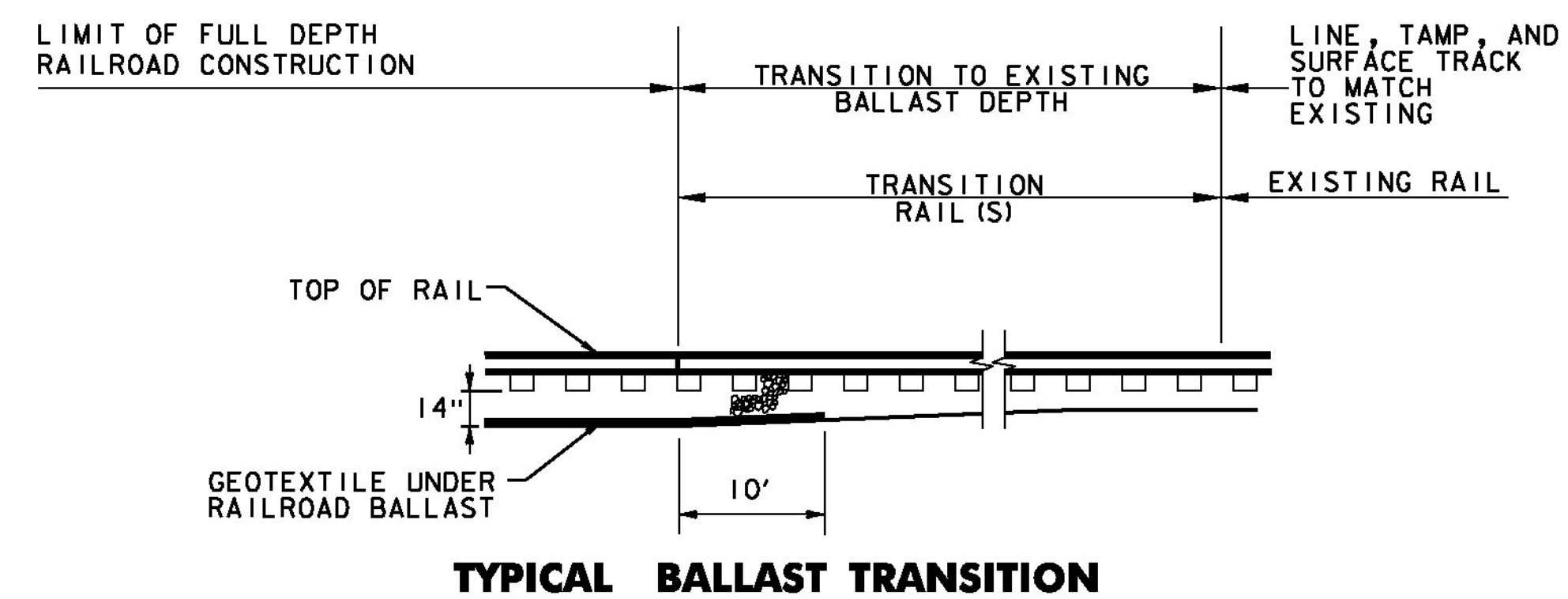


TYPICAL TRANSVERSE SECTION PAVED CROSSING



DETAIL "A"



TYPICAL BALLAST TRANSITION

NOT TO SCALE

AARDOT #850-939P

**RAILROAD
CROSSING
DETAIL
SHEET #3**

PROJECT NAME: ST JOHNSBURY - LYNDON
PROJECT NUMBER: STP 2936(I)

FILE NAME: pllc308.dgn
PROJECT LEADER: G. EDWARDS
DESIGNED BY: D. DRAPER

PLOT DATE: 7/25/2014
DRAWN BY: D. DRAPER
CHECKED BY: J. LITTLE
SHEET 34 OF 250

