

ADJUST ELEVATION OF VALVE BOX
(ITEM 629.20)

STATION	POSITION	DESCRIPTION
LYNDON U. S. ROUTE 5		
143+02	RT	WSO
148+23	LT	WSO
148+28	LT	WSO
148+28	LT	WSO
148+80	LT	WSO
148+80	LT	WSO
151+82	RT	WSO
152+14	RT	WSO
152+24	RT	WSO
152+55	RT	WSO
154+22	RT	WSO
154+25	RT	WSO
154+28	RT	WSO
154+32	RT	WSO
155+05	RT	WSO
155+96	LT	WSO
156+42	RT	WSO
157+17	RT	WSO
171+18	RT	WSO
171+21	RT	WSO
171+23	RT	WSO
171+93	RT	WSO
171+96	RT	WSO
172+00	RT	WSO
LYNDON ALT. VT ROUTE 122		
5+08	RT	WSO
7+72	C/L	WSO
7+81	LT	WSO
27+74	LT	WSO
28+60	LT	WSO
28+62	LT	WSO
28+64	LT	WSO
29+63	LT	WSO
29+67	LT	WSO
31+91	LT	WSO
33+23	RT	WSO
33+26	RT	WSO
33+28	RT	WSO
33+34	RT	WSO
35+01	RT	WSO
35+65	RT	WSO
37+29	RT	WSO
38+80	RT	WSO
39+01	RT	WSO
41+01	RT	WSO

ITEM 900.620 SPECIAL PROVISION
(ADJUST SIDE INLET CATCH BASIN)

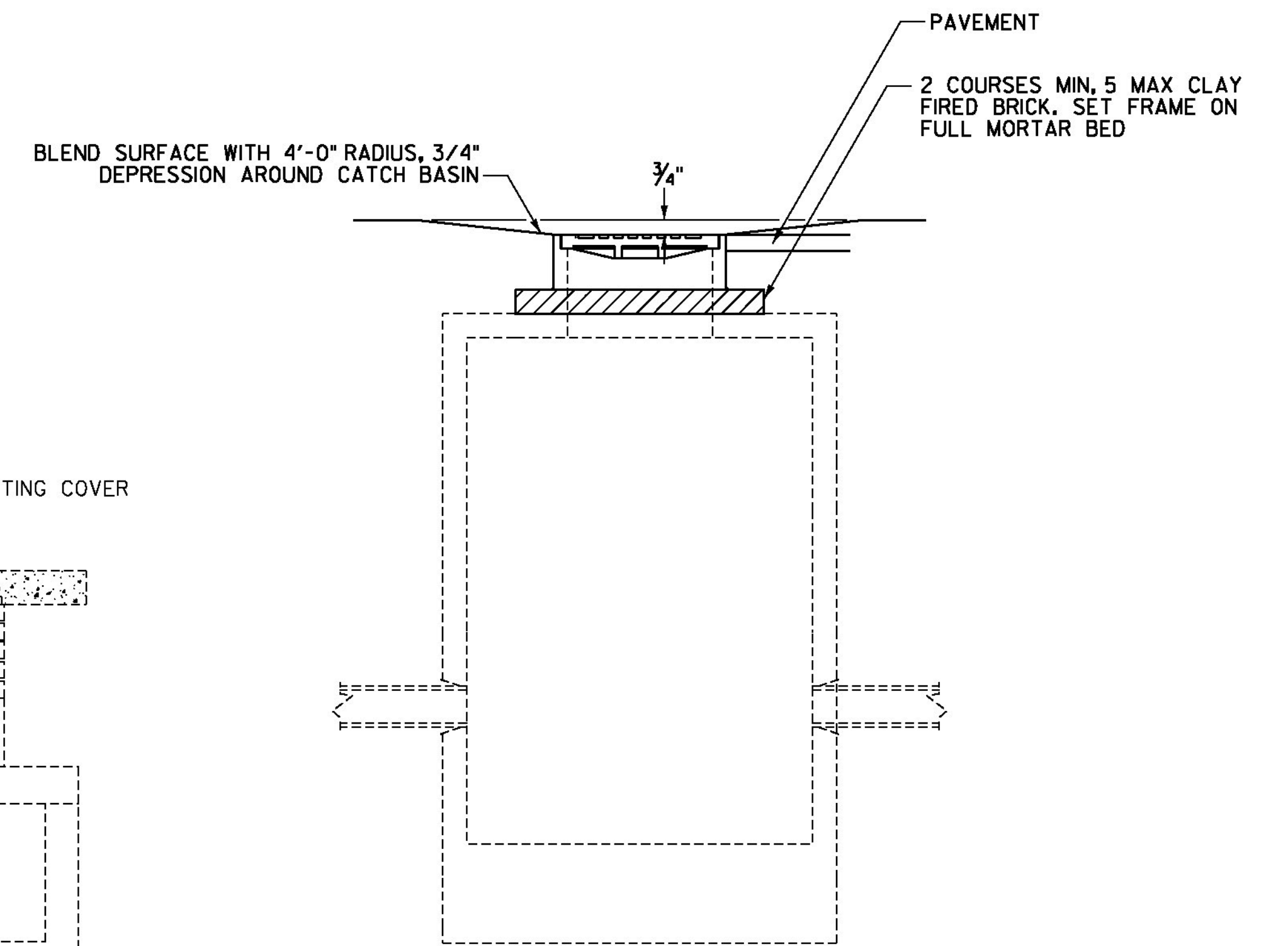
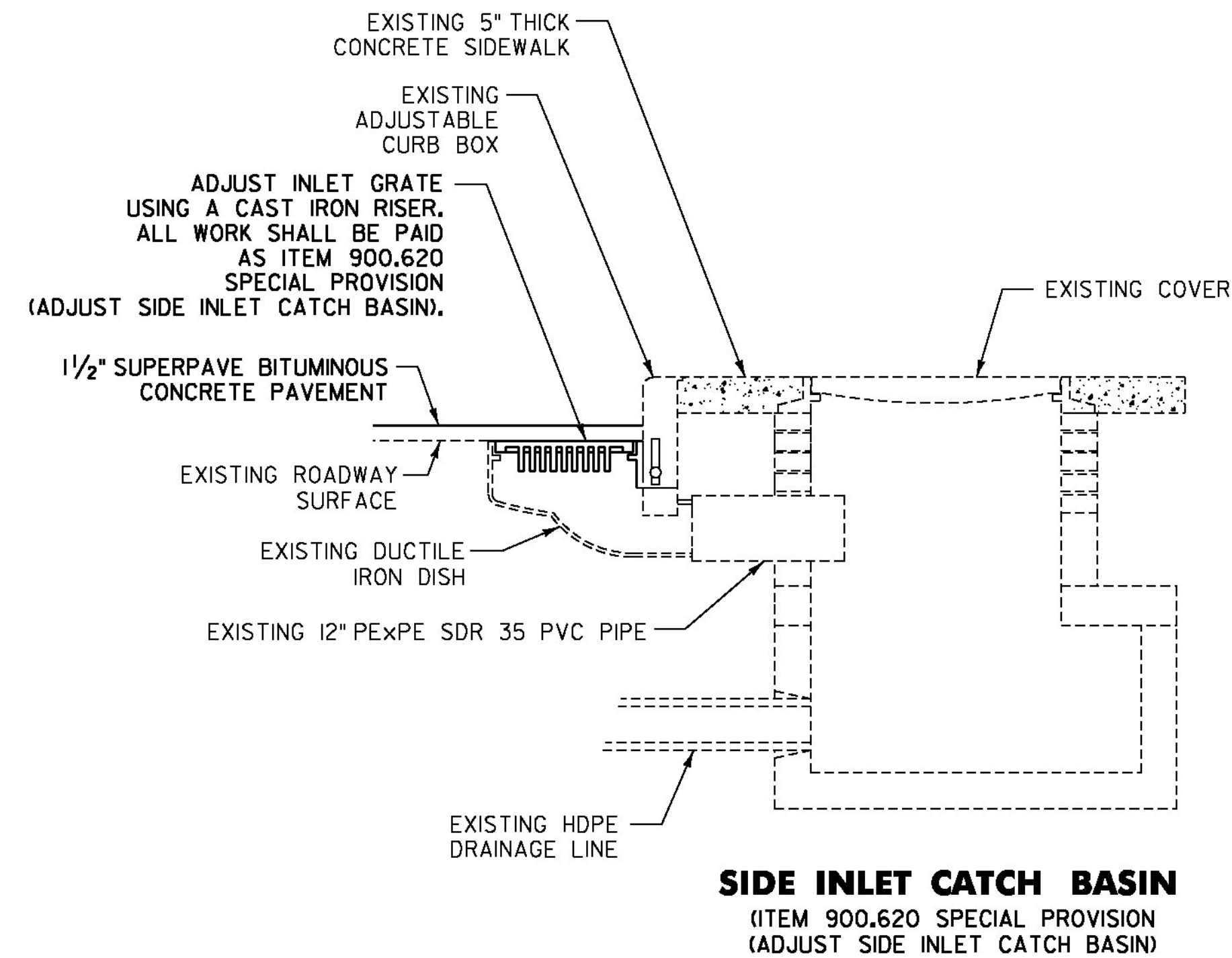
STATION	POSITION	DESCRIPTION
ST. JOHNSBURY U. S. ROUTE 2		
179+40	LT	CB
185+17	LT	CB
186+76	LT	CB

PRIVATE UTILITY STRUCTURES
(TO BE ADJUSTED BY OTHERS)

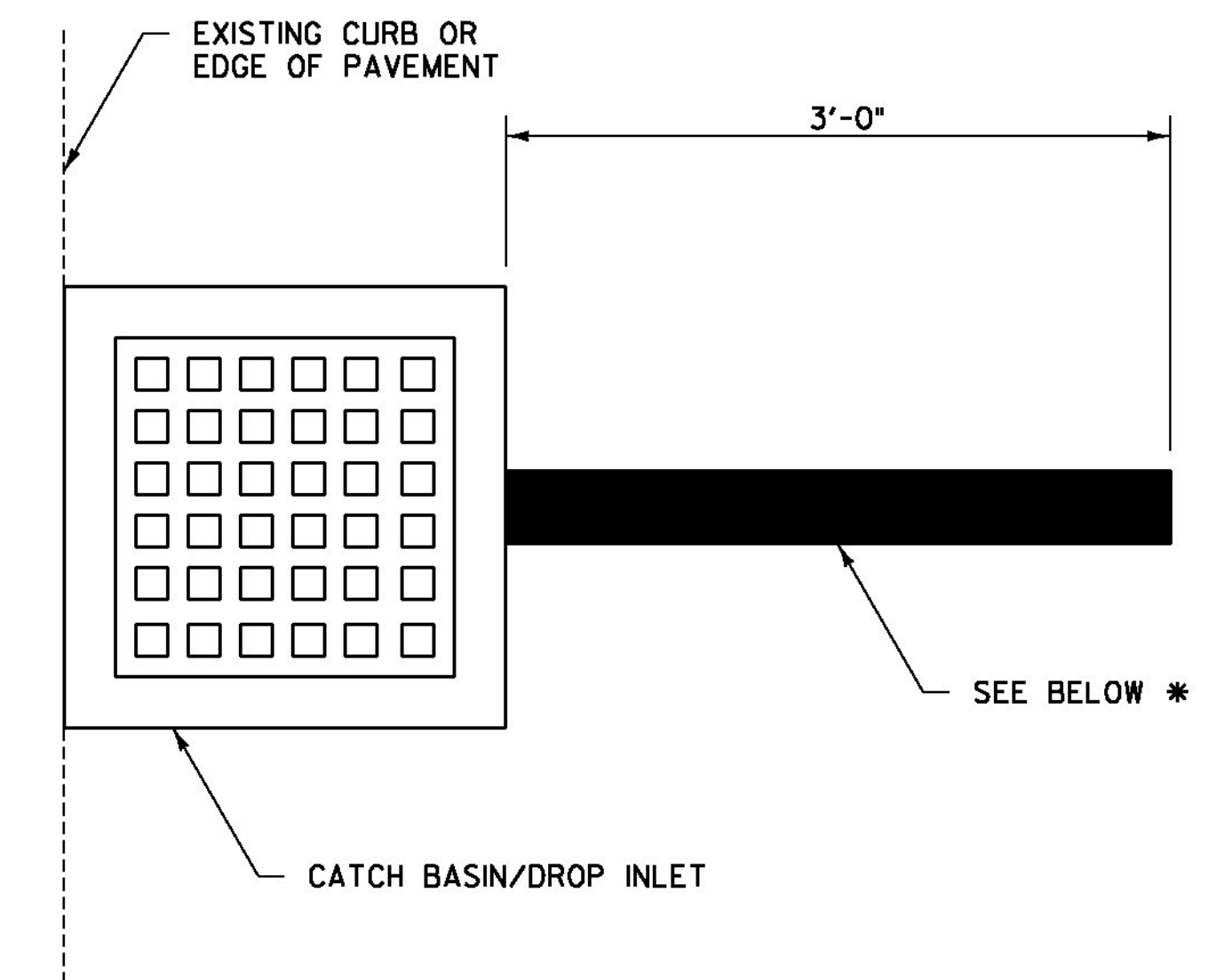
STATION	POSITION	DESCRIPTION
ST. JOHNSBURY U. S. ROUTE 2		
172+69	RT	TMH
173+79	RT	TMH
177+03	LT	TMH
178+11	LT	TMH
179+82	LT	TMH
181+21	LT	TMH
183+07	LT	TMH
185+53	LT	TMH
187+83	LT	TMH
192+81	RT	TMH
204+40	RT	TMH
208+23	RT	TMH
211+13	RT	TMH
216+75	RT	TMH
221+82	RT	TMH
ST. JOHNSBURY U. S. ROUTE 5		
87+63	RT	TMH
91+20	RT	TMH
96+92	RT	TMH
99+47	RT	TMH
104+92	RT	TMH
ST. JOHNSBURY ALT. U. S. ROUTE 5		
27+83	RT	TMH
29+06	RT	TMH
31+22	RT	TMH
33+29	RT	TMH
36+69	RT	TMH
38+54	RT	TMH
41+72	RT	TMH
45+26	RT	TMH
48+28	RT	TMH
50+57	RT	TMH
LYNDON U. S. ROUTE 5		
148+42	LT	TMH
150+31	LT	TMH
154+27	LT	TMH
156+07	LT	TMH
158+05	LT	TMH
158+13	LT	TMH

MONITORING WELLS
(TO BE ADJUSTED BY OTHERS)

STATION	POSITION	DESCRIPTION
LYNDON U. S. ROUTE 5		
176+12	LT	MW
184+41	RT	MW



REHAB. DI'S, CB'S, & MH'S DETAIL
(ITEMS 604.412, 604.415 AND 604.418 IN PAVEMENT AREAS)



PAVEMENT MARKING DETAIL FOR DRAINAGE STRUCTURE LOCATION

* ST. JOHNSBURY - DURABLE 4 INCH YELLOW LINE, TYPE A TAPE
* LYNDON - DURABLE 4 INCH WHITE LINE, TYPE A TAPE

NOT TO SCALE



STRUCTURE INVENTORY SHEET #3

PROJECT NAME: ST JOHNSBURY - LYNDON	PLOT DATE: 5/5/2014
PROJECT NUMBER: STP 2936(I)	DRAWN BY: D. DRAPER
FILE NAME: pllc308.dgn	CHECKED BY: J. LITTLE
PROJECT LEADER: G. EDWARDS	SHEET 29 OF 250
DESIGNED BY: D. DRAPER	