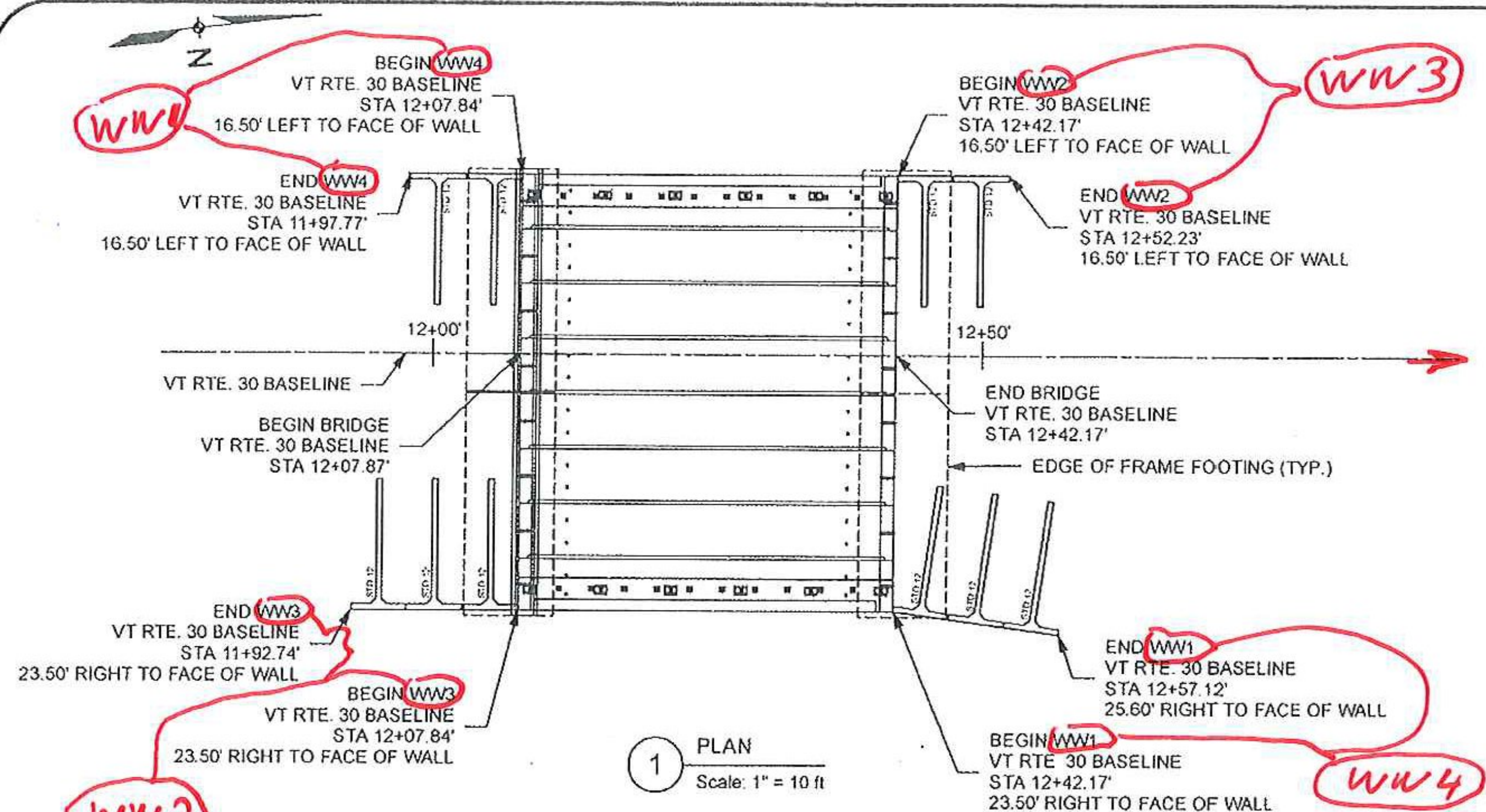
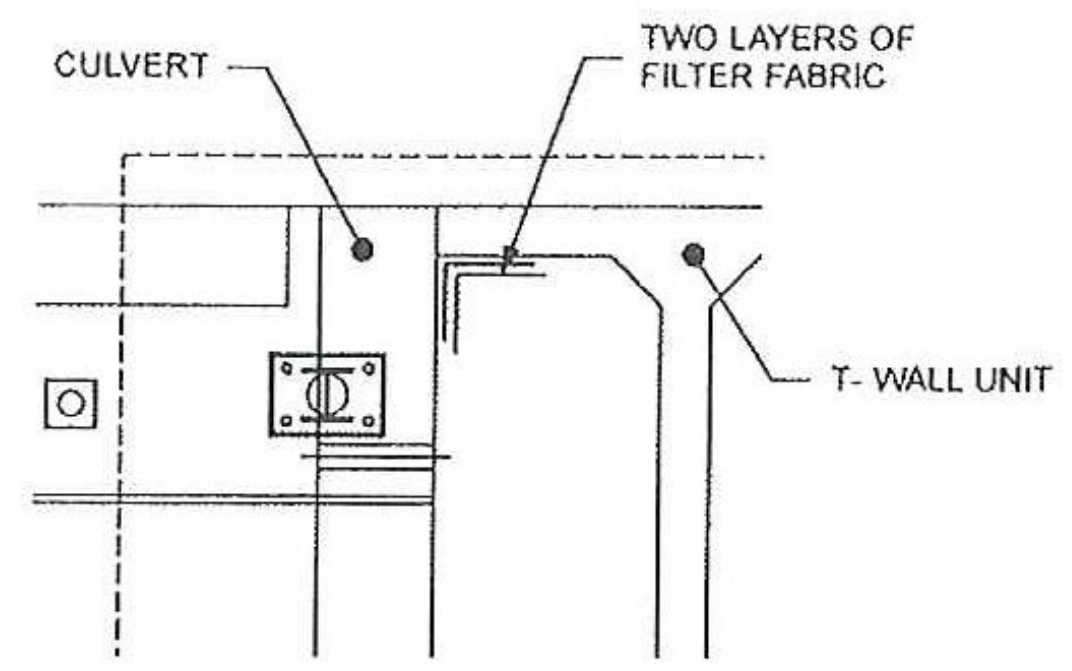


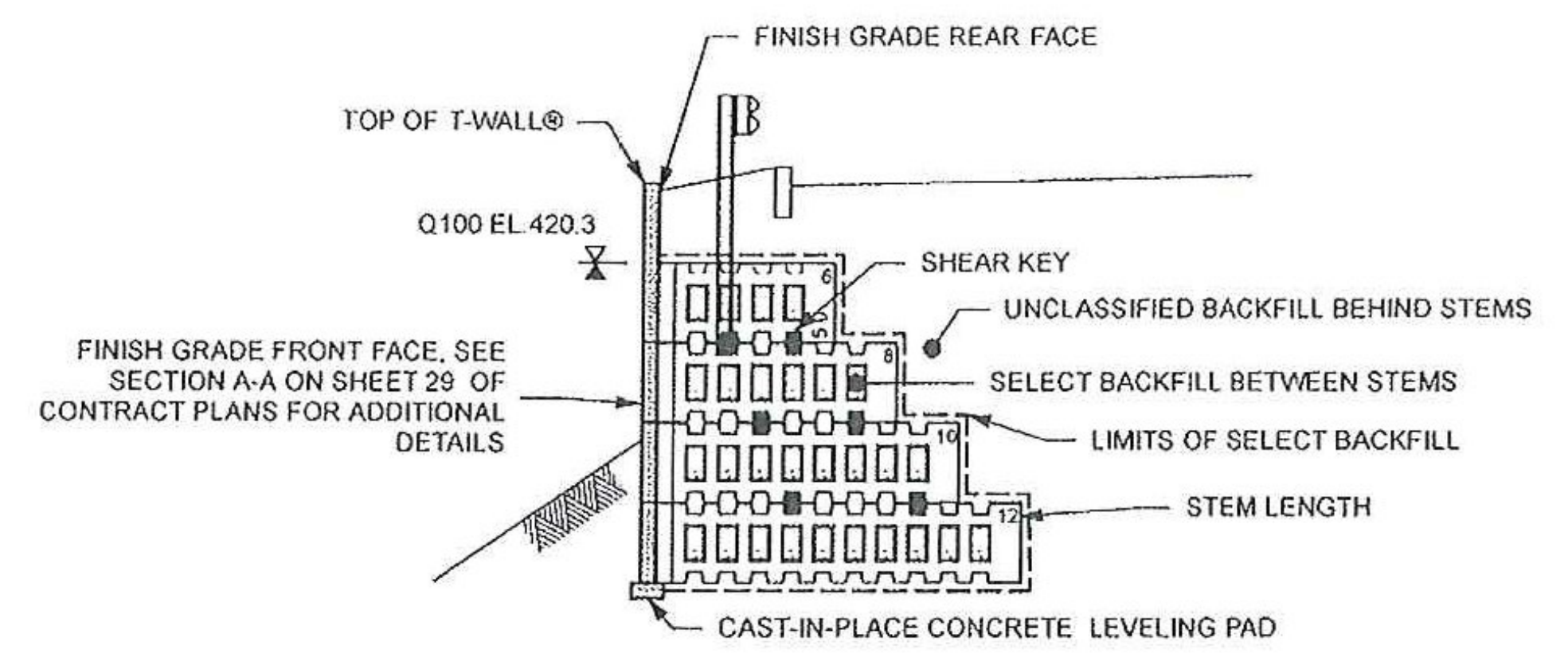
BORDER-TNC T-WALL HWY 14-1



1 PLAN
Scale: 1" = 10 ft



7 INTERFACE DETAIL (TYP. ALL WALLS)
Scale: 1/2" = 1'-0"



6 TYPICAL SECTION @ MAXIMUM HEIGHT
Scale: 1" = 5 ft.

SHOP DRAWING REVIEW

REVIEWED AS REQUIRED BY THE CONSTRUCTION CONTRACT DOCUMENTS AS APPROVED, BUT ONLY FOR CONFORMANCE TO THE DESIGN CONCEPT OF THE WORK, AND SUBJECT TO FURTHER LIMITATIONS AND REQUIREMENTS CONTAINED IN THE CONSTRUCTION CONTRACT DOCUMENTS.

REJECTED REVISE AND RESUBMIT FINISH AS CORRECTED

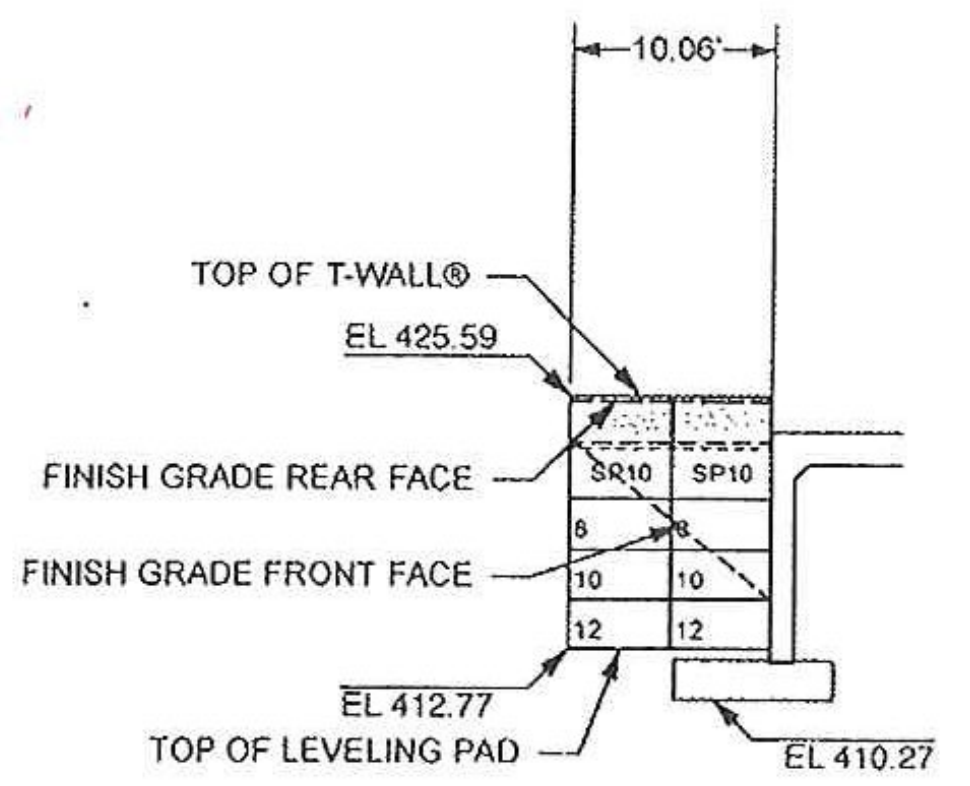
CORRECTIONS OR COMMENTS MADE ON THE SHOP DRAWINGS DURING THIS REVIEW DO NOT RELIEVE CONTRACTOR FROM COMPLIANCE WITH REQUIREMENTS OF THE DRAWINGS AND SPECIFICATIONS. THIS CHECK IS ONLY FOR REVIEW OF GENERAL CONFORMANCE WITH THE DESIGN CONCEPT OF THE PROJECT AND GENERAL COMPLIANCE WITH THE REQUIREMENTS AND DESIGN CONCEPT OF THE PROJECT. THE CONTRACTOR IS RESPONSIBLE FOR VERIFYING AND CORRELATING ALL DIMENSIONS AND DIMENSIONS, SELECTING FABRICATION PROCESSES AND TECHNIQUES OF CONSTRUCTION, CONTROLLING HIS WORK WITH THAT OF ALL OTHER TRADES AND PERFORMING HIS WORK IN A SAFE AND SATISFACTORY MANNER.

Hubbardton
 Job Number: ER STP 0161 (26)
 Reviewed By: S. FARNSWORTHY
 Date: 10-7-2012

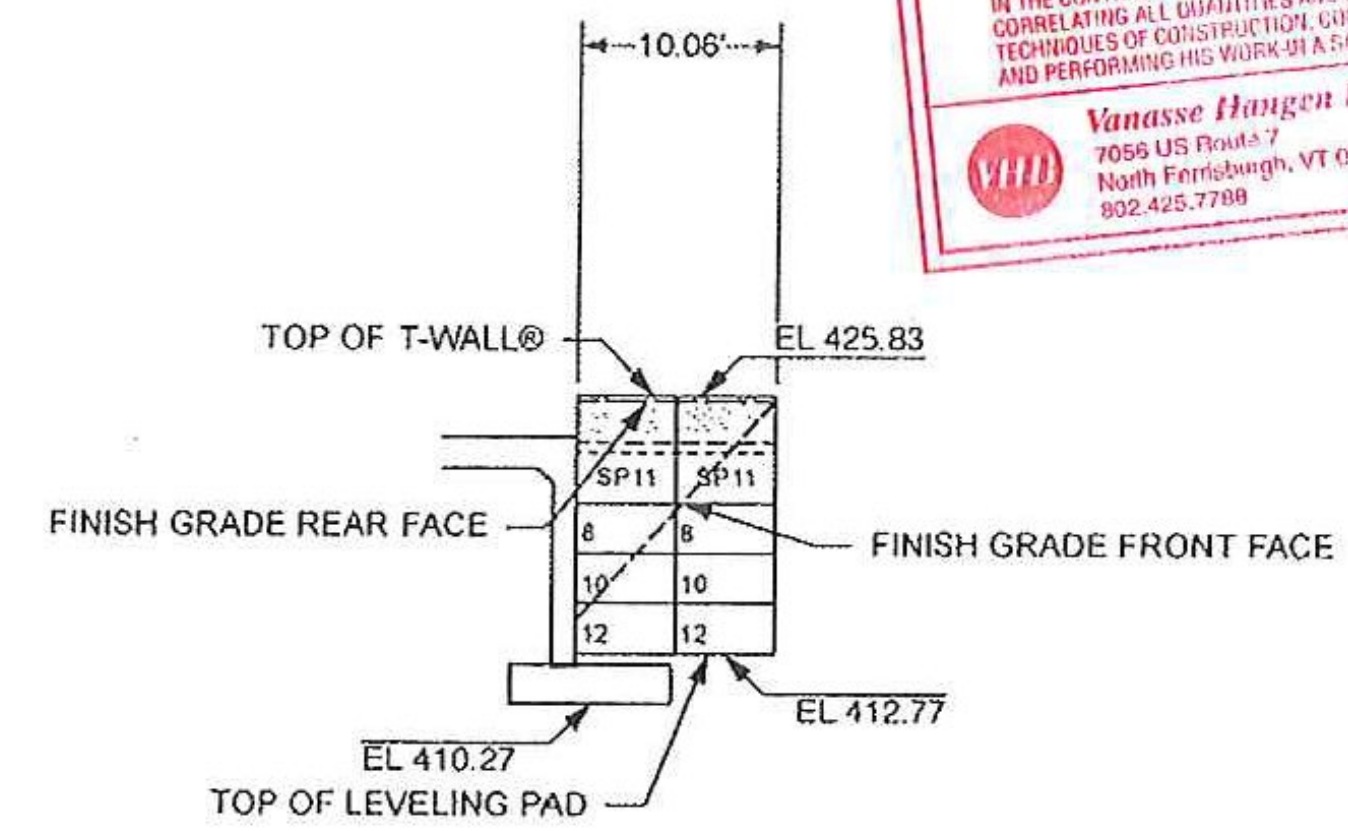
Vannasse Hangen Brustlin, Inc.
 7056 US Route 7
 North Ferrisburgh, VT 05474
 802.425.7789

SHIP LOOSE LIST FOR RETAINING WALL:

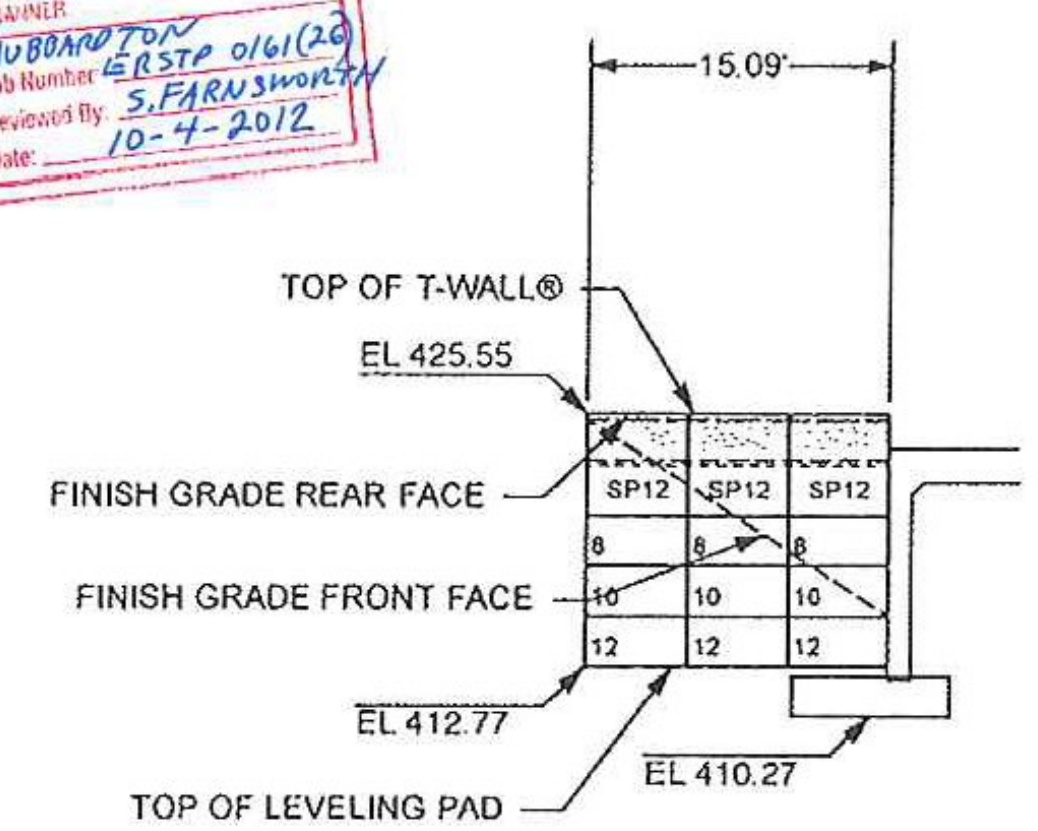
ITEM	QNTY
Shear Keys	56 ea.
AF250 Polyethylene Foam*	1.00 Rolls
1/2" x 4" x 5.00' Horizontal Joint Material**	140.00 LF
Filter Cloth (12" wide)***	73.00 LF



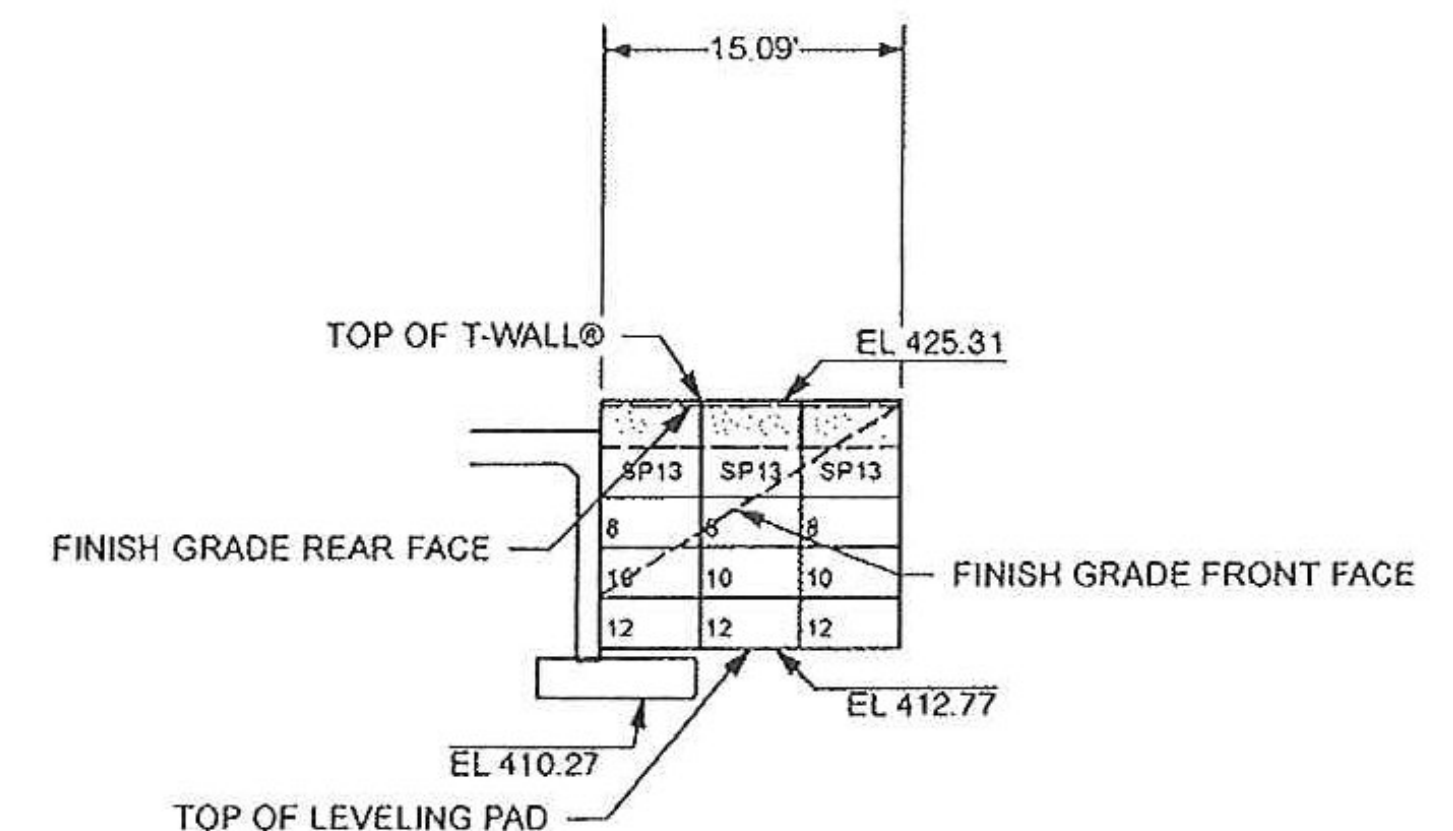
2 WW3 - ELEVATION (FRONT FACE)
Scale: 1" = 10 ft



3 WW1 - ELEVATION (FRONT FACE)
Scale: 1" = 10 ft



4 WW2 - ELEVATION (FRONT FACE)
Scale: 1" = 10 ft



5 WW4 - ELEVATION (FRONT FACE)
Scale: 1" = 10 ft

T-WALL Unit Count for 96-WW3 9/28/12 9:50:49 AM

PANEL TYPE	QNTY (ea)	AREA (sf)	SELECT FILL (cy)
2.5 x 5.0 x 08 Std	2	25.00	6
2.5 x 5.0 x 10 Std	2	25.00	8
2.5 x 5.0 x 12 Std	2	25.00	10
Special Units	2	51.94	5
TOTALS:	8 ea	126.94 sf	29 cy

NOTE: Select backfill quantities are between stems only.

T-WALL Unit Count for 96-WW1 9/28/12 9:52:58 AM

PANEL TYPE	QNTY (ea)	AREA (sf)	SELECT FILL (cy)
2.5 x 5.0 x 08 Std	2	25.00	6
2.5 x 5.0 x 10 Std	2	25.00	8
2.5 x 5.0 x 12 Std	2	25.00	10
Special Units	2	54.30	5
TOTALS:	8 ea	129.30 sf	29 cy

NOTE: Select backfill quantities are between stems only.

T-WALL Unit Count for 96-WW2 9/28/12 9:53:48 AM

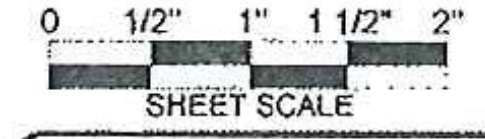
PANEL TYPE	QNTY (ea)	AREA (sf)	SELECT FILL (cy)
2.5 x 5.0 x 08 Std	3	37.50	10
2.5 x 5.0 x 10 Std	3	37.50	12
2.5 x 5.0 x 12 Std	3	37.50	15
Special Units	3	77.25	7
TOTALS:	12 ea	189.75 sf	43 cy

NOTE: Select backfill quantities are between stems only.

T-WALL Unit Count for 96-WW4 9/28/12 9:57:03 AM

PANEL TYPE	QNTY (ea)	AREA (sf)	SELECT FILL (cy)
2.5 x 5.0 x 08 Std	3	37.50	10
2.5 x 5.0 x 10 Std	3	37.50	12
2.5 x 5.0 x 12 Std	3	37.50	15
Special Units	3	73.65	7
TOTALS:	12 ea	186.15 sf	43 cy

NOTE: Select backfill quantities are between stems only.



The design contained on these drawings is based upon information provided by the owner. On the basis of this information, The Neel Company has designed, and is responsible for, the internal stability of the structure only. External stability, including foundation and slope stability, is the responsibility of the owner.

This drawing contains information proprietary to The Neel Company. T-WALL® is a registered trademark owned by The Neel Company. ©2012 The Neel Company

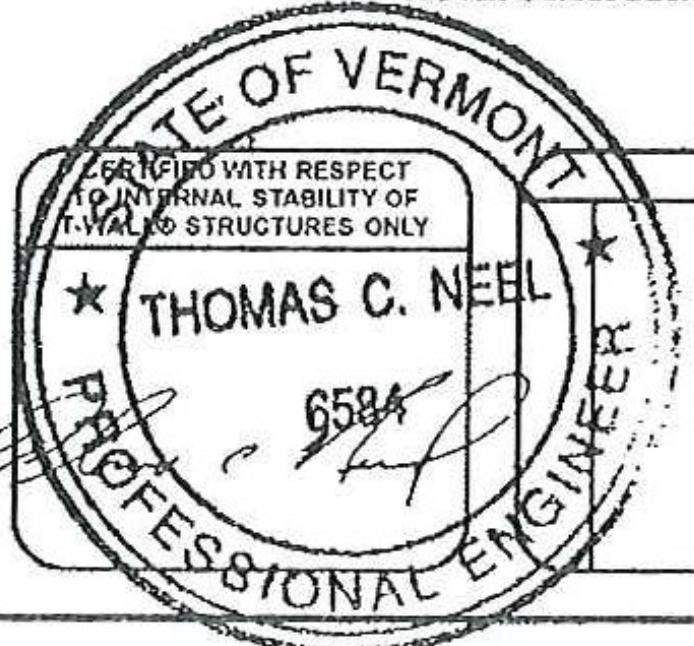
PRECASTER: CONCRETE SYSTEMS INC.
HUDSON, NH
PROJECT #: T21377

CONTRACTOR: J. A. MCDONALD INC.
LYNDON CENTER, VERMONT
PROJECT #:

DESIGNER

THE NEEL COMPANY
8328-D TRAFORD LANE
SPRINGFIELD, VIRGINIA 22152
PH: (703) 913-7858
FX: (703) 913-7859
WEB: WWW.NEELCO.COM

PROJECT #: TW4083



NO.	DATE	DESCRIPTION

RTE. 30 BRIDGE IMPROVEMENTS
BRIDGE NO. 96
TOWN OF HUBBARDTON, VT
ER STP 0161 (26)
SHOP DRAWINGS
PLAN, ELEVATIONS, SECTION & QUANTITIES
T-WALL® RETAINING WALL SYSTEM

SCALE:	AS NOTED
DATE:	9-27-2012
DESIGNED BY:	NN
DRAWN BY:	HS
CHECKED BY:	NN
SHEET:	4

USER NAME: N/A
 VECTORWORKS 2011
 PLOT DATE & TIME: Friday, September 28, 2012 1:22:20 PM
 CAD FILE NAME: C:\WALLS 96.WX
 VV SHEET NAME: TW-3