

RTE. 30 BRIDGE IMPROVEMENTS BRIDGE NO. 96 TOWN OF HUBBARDTON, VT ER STP 0161 (26)

T-WALL® RETAINING WALL SYSTEM

SHOP DRAWING REVIEW

REVIEWED AS REQUIRED BY THE CONSTRUCTION CONTRACT DOCUMENTS AND APPROVED, BUT ONLY FOR CONFORMANCE TO THE DESIGN CONCEPT OF THE WORK, AND SUBJECT TO FURTHER LIMITATIONS AND REQUIREMENTS CONTAINED IN THE CONSTRUCTION CONTRACT DOCUMENTS.

REJECTED REVISE AND RESUBMIT FURNISH AS CORRECTED

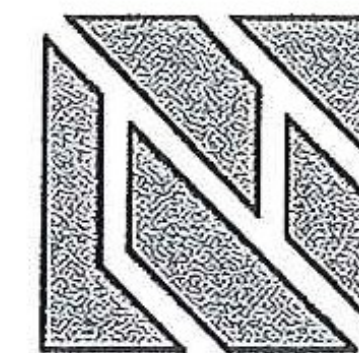
CORRECTIONS OR COMMENTS MADE ON THE SHOP DRAWINGS DURING THIS REVIEW DO NOT RELIEVE CONTRACTOR FROM COMPLIANCE WITH REQUIREMENTS OF THE DRAWINGS AND SPECIFICATIONS. THIS CHECK IS ONLY FOR REVIEW OF GENERAL CONFORMANCE WITH THE DESIGN CONCEPT OF THE PROJECT AND GENERAL COMPLIANCE WITH THE INFORMATION GIVEN IN THE CONTRACT DOCUMENTS. THE CONTRACTOR IS RESPONSIBLE FOR: CONFIRMING AND CORRELATING ALL QUANTITIES AND DIMENSIONS; SELECTING FABRICATION PROCESSES AND TECHNIQUES OF CONSTRUCTION; COORDINATING HIS WORK WITH THAT OF ALL OTHER TRADES; AND PERFORMING HIS WORK IN A SAFE AND SATISFACTORY MANNER.



Vanasse Hangen Brustlin, Inc.
7056 US Route 7
North Ferrisburgh, VT 05473
802.425.7788

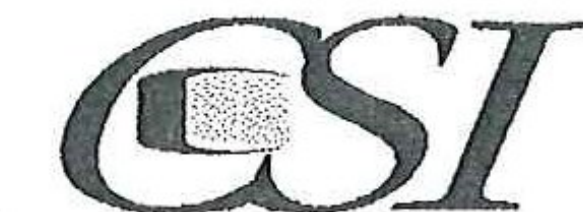
ER STP 0161 (26)
Job Number:
Reviewed By: S. FARNSWORTH
Date: 10-4-2012

DESIGNER



THE NEEL COMPANY
8328-D TRAFORD LANE
SPRINGFIELD, VIRGINIA 22152
PH: (703) 913-7858
FX: (703) 913-7859
WEB: WWW.NEELCO.COM

PRECASTER

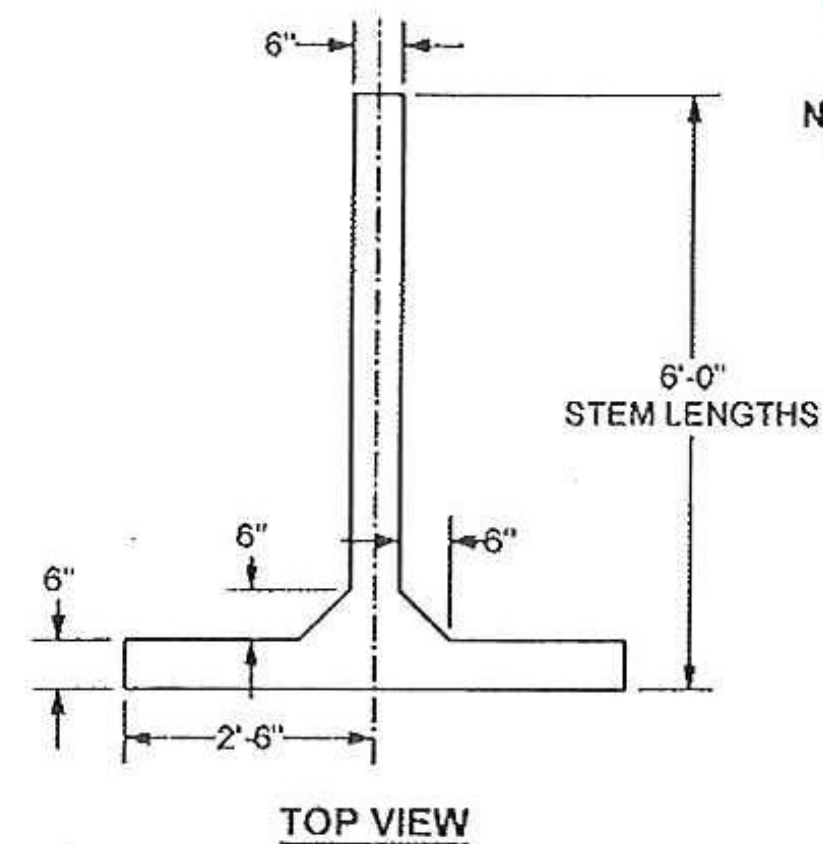
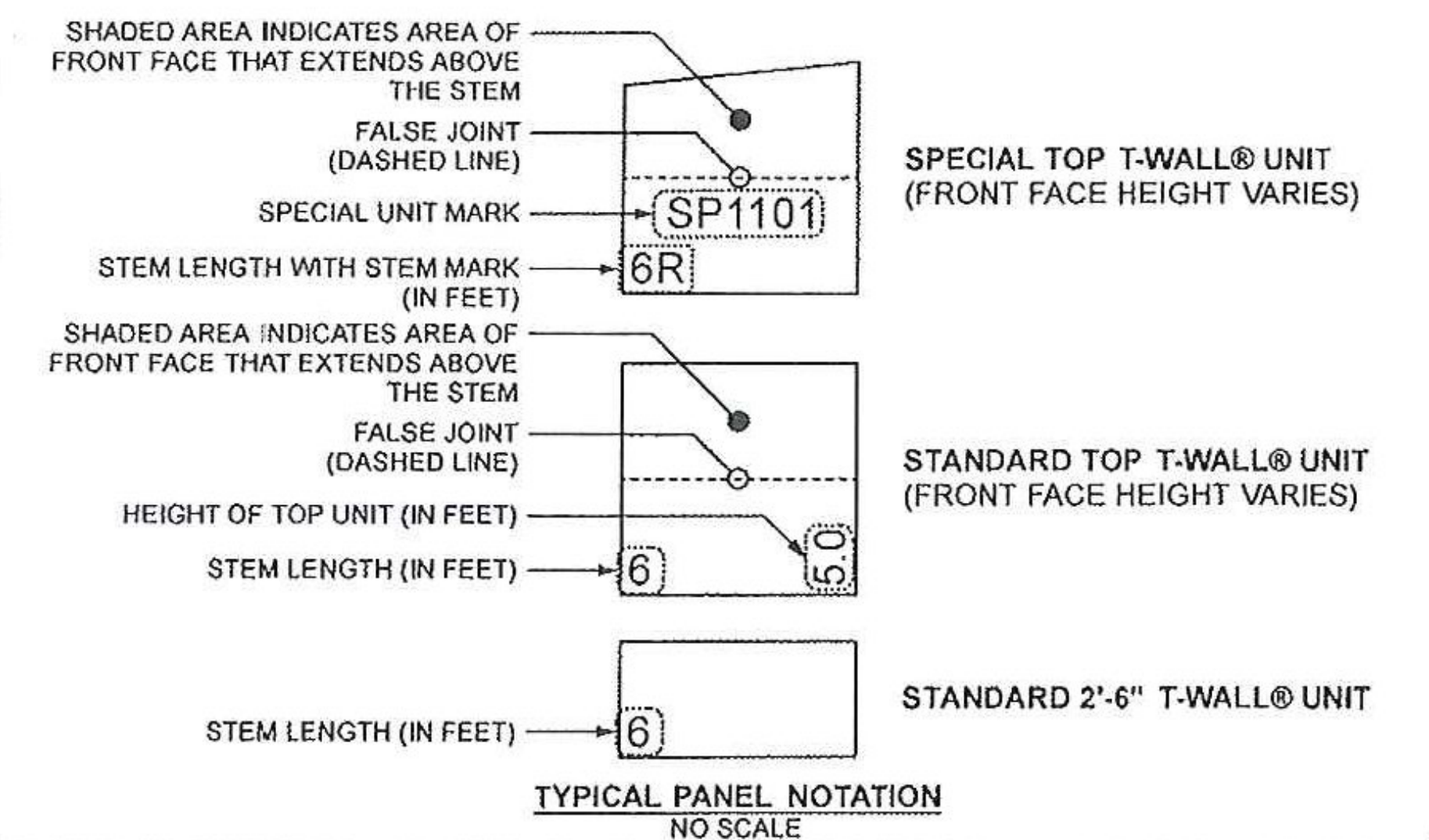


Concrete Systems Inc.
9 Commercial St., Hudson, NH, 03051
Phone 603-889-4163
Fax 603-889-2417
Web www.csigroup.biz

INDEX OF DRAWINGS

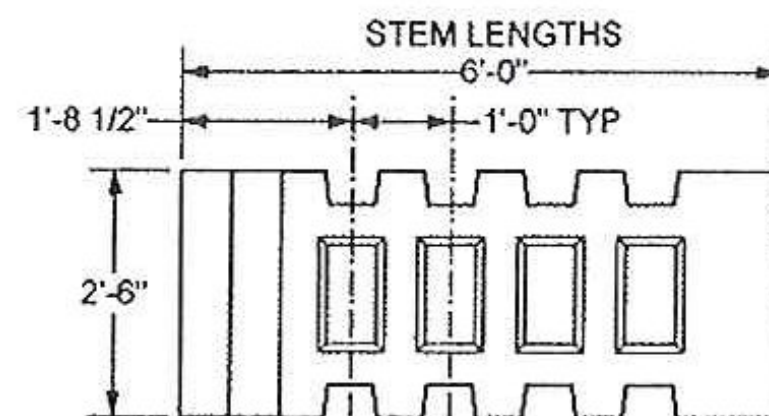
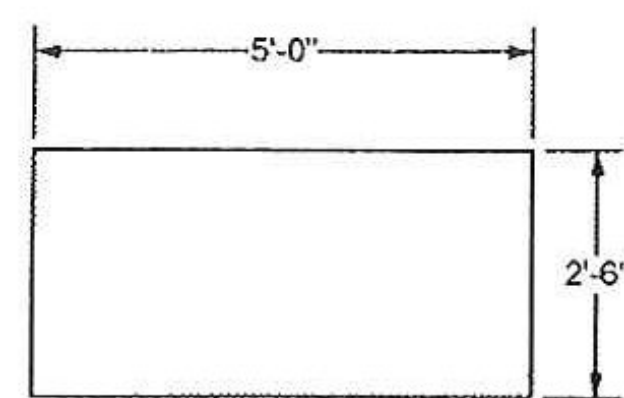
SHEET	TITLE	REV	DATE
1	COVER SHEET		9-27-2012
2	T-WALL® NOMENCLATURE AND TYPICAL SYSTEM DETAILS		9-27-2012
3	GENERAL T-WALL® NOTES		9-27-2012
4	PLAN, ELEVATIONS, SECTION & QUANTITIES		9-27-2012
5	STANDARD UNITS		9-27-2012
6	SLOPED TOP SPECIAL UNITS		9-27-2012

LEGEND

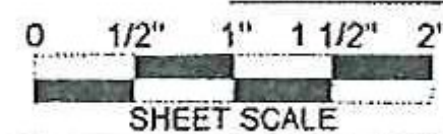


NOTES:
• UNIT STEM LENGTHS RANGE FROM 4'-0" TO 20'-0", IN 2'-0" INCREMENTS

T-WALL® UNIT WEIGHTS	
PANEL TYPES	WEIGHTS
2.5x5.0x04 Std	1574 lbs
2.5x5.0x06 Std	1836 lbs
2.5x5.0x08 Std	2098 lbs
2.5x5.0x10 Std	2360 lbs
2.5x5.0x12 Std	2622 lbs
2.5x5.0x14 Std	2884 lbs
2.5x5.0x16 Std	3145 lbs
2.5x5.0x18 Std	3407 lbs
2.5x5.0x20 Std	3669 lbs



TYPICAL 2'-6" x 5'-0" x 6'-0" STEM T-WALL® UNIT



The design contained on these drawings is based upon information provided by the owner. On the basis of this information, The Neel Company has designed, and is responsible for, the internal stability of the structure only. External stability, including foundation and slope stability, is the responsibility of the owner.

This drawing contains information proprietary to The Neel Company. T-WALL® is a registered trademark owned by The Neel Company. ©2012 The Neel Company

PRECASTER: CONCRETE SYSTEMS INC.
HUDSON, NH
PROJECT #: T21377

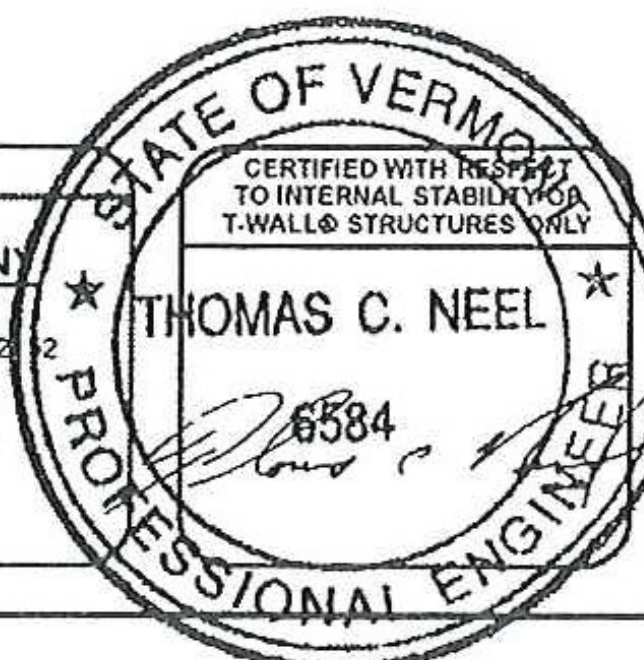
CONTRACTOR: J. A. MCDONALD INC.
LYNDON CENTER, VERMONT
PROJECT #:

DESIGNER



THE NEEL COMPANY
8328-D TRAFORD LANE
SPRINGFIELD, VIRGINIA 22152
PH: (703) 913-7858
FX: (703) 913-7859
WEB: WWW.NEELCO.COM

PROJECT #: TW4083



REVISIONS

NO.	DESCRIPTION	DATE

**RTE. 30 BRIDGE IMPROVEMENTS
BRIDGE NO. 96
TOWN OF HUBBARDTON, VT
ER STP 0161 (26)
SHOP DRAWINGS
COVER SHEET**

T-WALL® RETAINING WALL SYSTEM

SCALE:	NO SCALE
DATE:	9-27-2012
DESIGNED BY:	NN
DRAWN BY:	HS
CHECKED BY:	NN
SHEET:	1