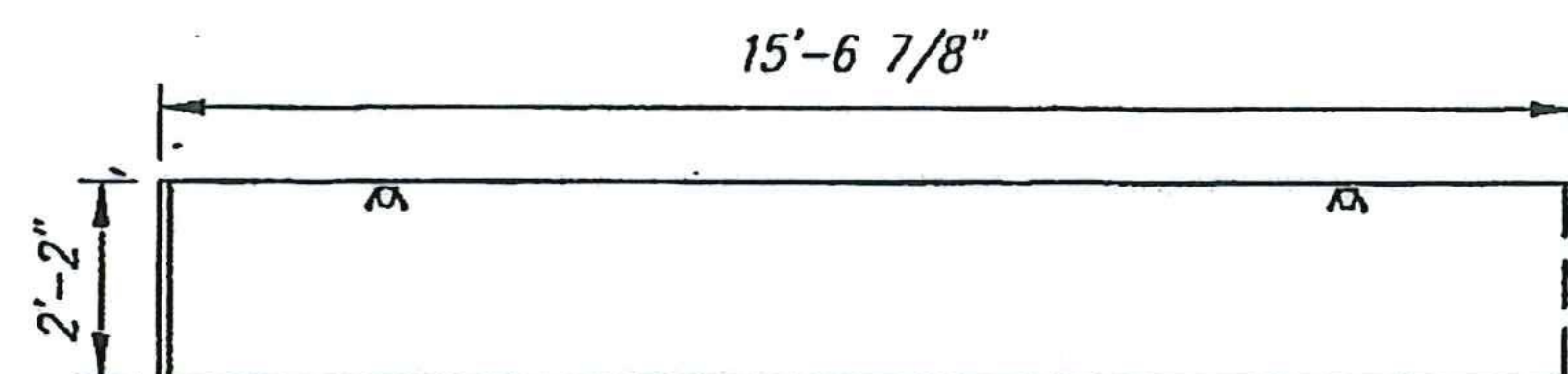
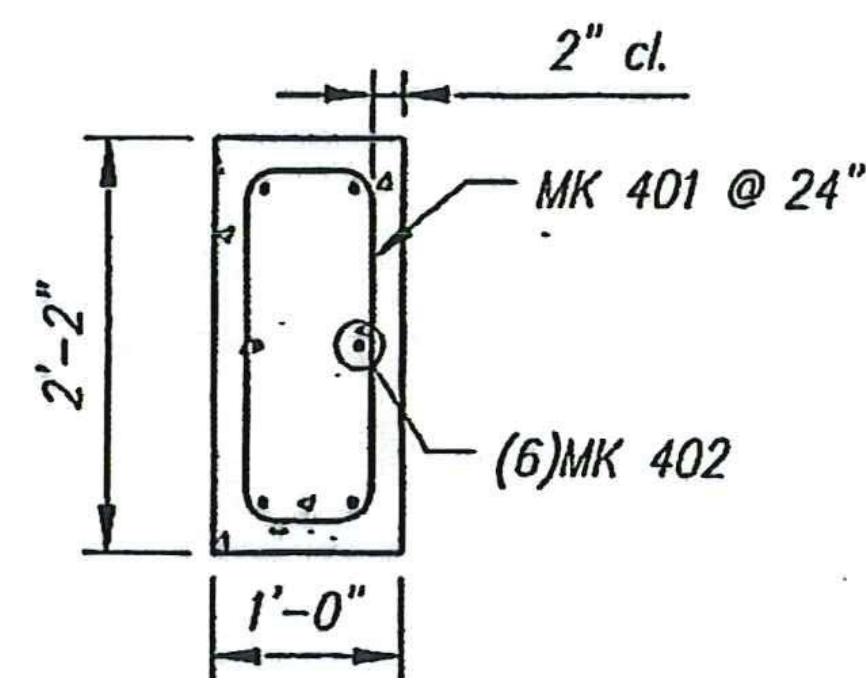


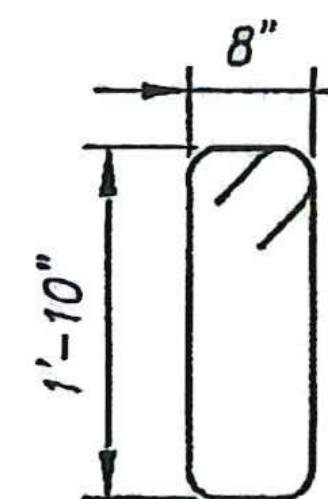
PLAN



ELEVATION



REINFORCING DETAIL



MK 401 #4 bar

BENDING SCHEDULE

CW1 - BILL OF MATERIALS / EMBEDS				
CSI ID#	DESCRIPTION	QTY	UM	COMMENTS
EM-00116	UTILITY ANCHOR 6UA444-GALVANIZED	2	EA	
RM-00014	REBAR #4 EPOXY- GR 60 40'	93	LB	
MX-FA4000SM	MIX DESIGN - FLY ASH 4000 SUMMER MIX	1.24	CY	

All Rebar to be Epoxy Coated

Rebar Schedule		
MK	QTY	LENGTH
401 #4	8	6' - 0"
402 #4	6	15' - 1"

SHOP DRAWING REVIEW

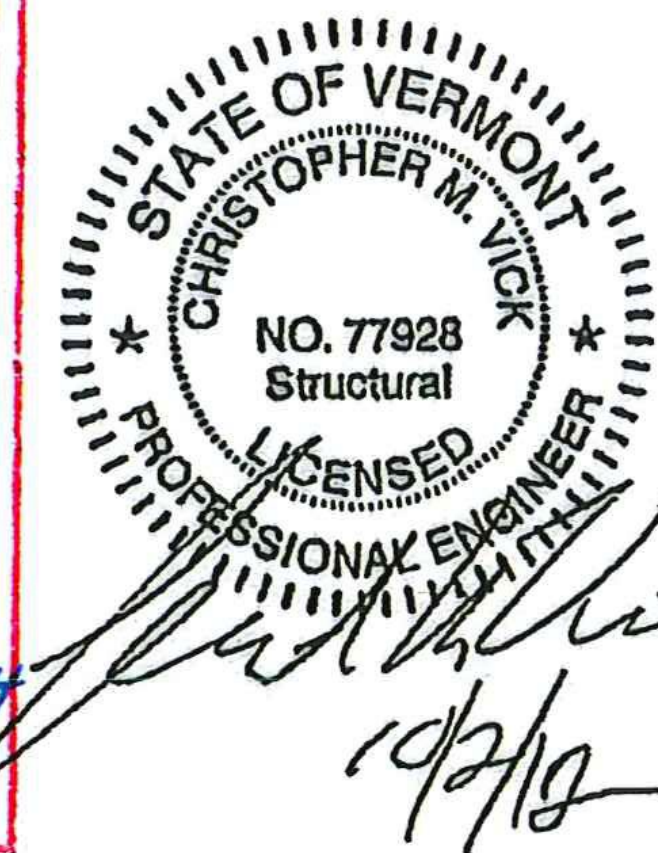
REVIEWED AS REQUIRED BY THE CONSTRUCTION CONTRACT DOCUMENTS AND APPROVED, BUT ONLY FOR CONFORMANCE TO THE DESIGN CONCEPT OF THE WORK, AND SUBJECT TO FURTHER LIMITATIONS AND REQUIREMENTS CONTAINED IN THE CONSTRUCTION CONTRACT DOCUMENTS.

REJECTED REVISE AND RESUBMIT FURNISH AS CORRECTED

CORRECTIONS OR COMMENTS MADE ON THE SHOP DRAWINGS DURING THIS REVIEW DO NOT RELIEVE CONTRACTOR FROM COMPLIANCE WITH REQUIREMENTS OF THE DRAWINGS AND SPECIFICATIONS. THIS CHECK IS ONLY FOR REVIEW OF GENERAL CONFORMANCE WITH THE DESIGN CONCEPT OF THE PROJECT AND GENERAL COMPLIANCE WITH THE INFORMATION GIVEN IN THE CONTRACT DOCUMENTS. THE CONTRACTOR IS RESPONSIBLE FOR: CONFIRMING AND CORRELATING ALL QUANTITIES AND DIMENSIONS; SELECTING FABRICATION PROCESSES AND TECHNIQUES OF CONSTRUCTION; COORDINATING HIS WORK WITH THAT OF ALL OTHER TRADES; AND PERFORMING HIS WORK IN A SAFE AND SATISFACTORY MANNER.

Vanasse Hangen Brustlin, Inc.
7056 US Route 7
North Ferrisburgh, VT 05473
802.425.7788

HUBBARDTON
Job Number: ER STP 0161 (27)
Reviewed By: S. FARNSWORTH
Date: 10-2-2012



Stamp for structural design only

5			
4			
3			
2			
1			
Rev.	Date	DESCRIPTION	By
REVISIONS			

Concrete Systems Inc.
 9 Commercial St., Hudson, NH, 03051
 Phone 603-889-4163
 Fax 603-889-2417

STATE AGENCY	
 Drawn By: M SCOTT Concrete Cu. Yd.: 1.24 Approved By:	Date: 09/21/2012 Weight in Tons: 2.51 Date:

HUBBARDTON ER STP 0161(27) BRIDGE NO. 98	
J.A. McDONALD, INC. PROPOSED IMPROVEMENT BRIDGE PROJECT HUBBARDTON, VT	
B	SHOP DRAWING CW1
Drawing No. C21377-CW1	REV 0
Quantity: 2	Project No: ER STP 0161(27) SHEET 1 OF 1