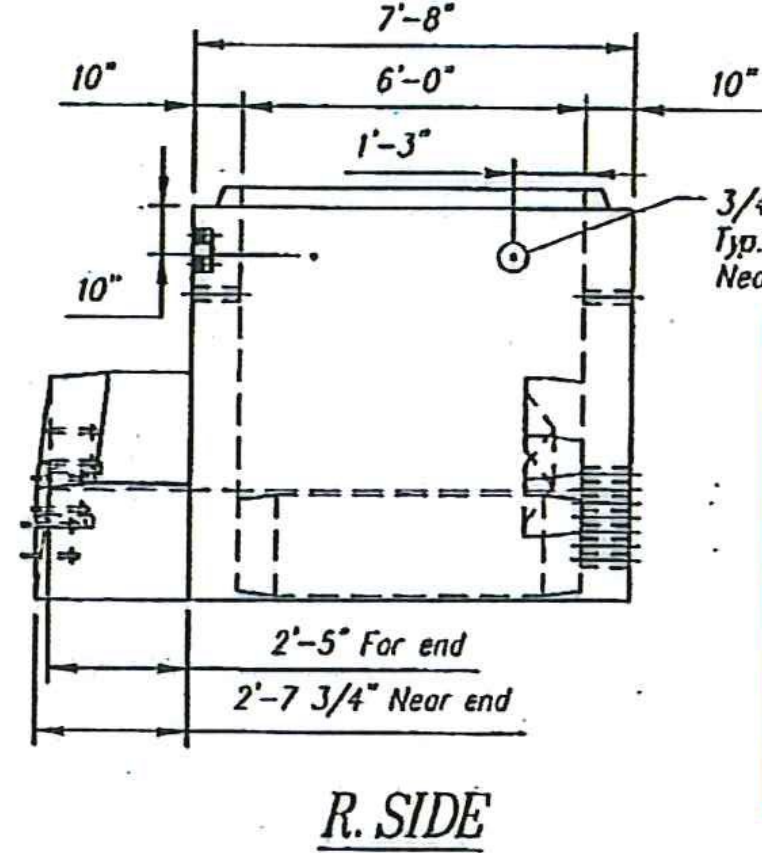


QTY = 1
WEIGHT = 21.93 TONS



SHOP DRAWING REVIEW

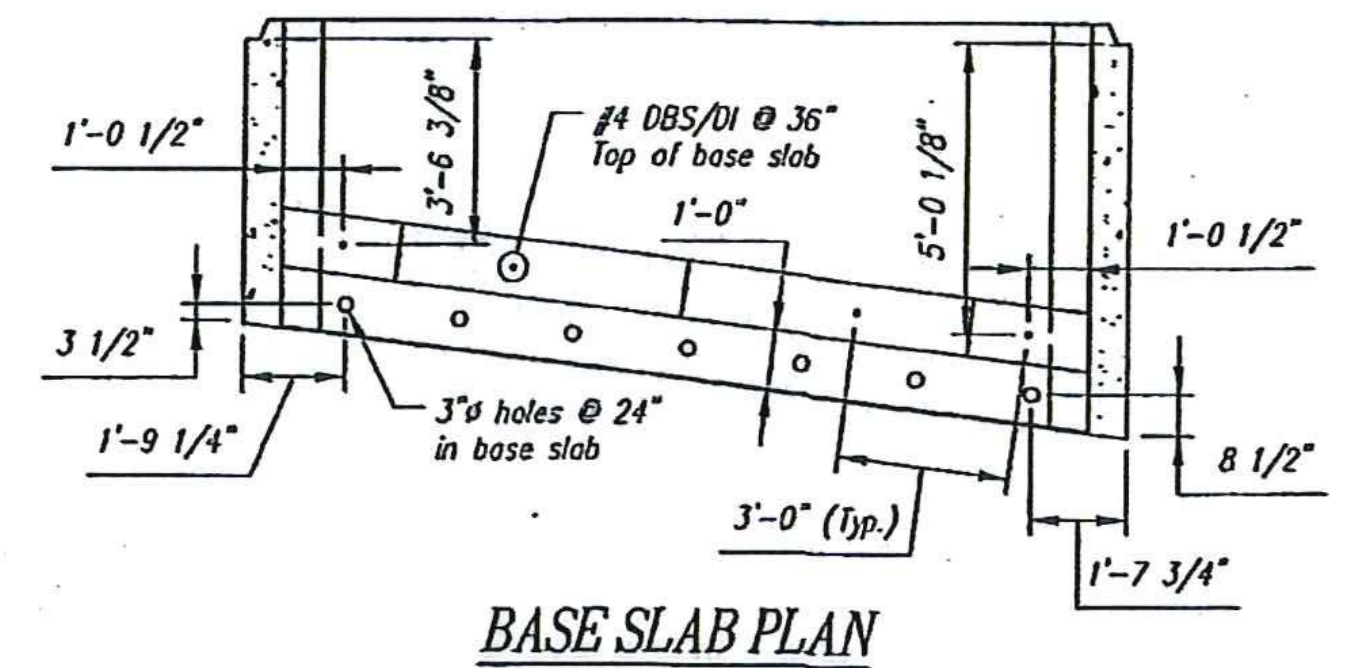
APPROVED AS REQUIRED BY THE CONSTRUCTION CONTRACT DOCUMENTS AND APPROVED, BUT ONLY FOR CONFORMANCE TO THE DESIGN CONCEPT OF THIS WORK AND SUBJECT TO FURTHER LIMITATIONS AND REQUIREMENTS CONTAINED IN THE CONSTRUCTION CONTRACT DOCUMENTS.

REJECTED: REUSE AND RESUBMIT FURNISH AS CORRECTED

EXPLANATIONS OR COMMENTS MADE ON THE SHOP DRAWINGS SHALL BE THE RESPONSIBILITY OF THE SUBMITTER. THE SUBMITTER SHALL BE RESPONSIBLE FOR OBTAINING THE NECESSARY APPROVALS FROM THE DESIGNER AND THE CONTRACTOR. THE CONTRACTOR SHALL BE RESPONSIBLE FOR OBTAINING THE NECESSARY APPROVALS FROM THE DESIGNER AND THE CONTRACTOR. THE CONTRACTOR SHALL BE RESPONSIBLE FOR OBTAINING THE NECESSARY APPROVALS FROM THE DESIGNER AND THE CONTRACTOR.

Vernice Hungen Brustlin, Inc.
708A S. Fitch St.
North Ferrisburgh, VT 05473
802.425.7788

Hubbardton ER STP 0161(27)
Job Number: 10/2/12
Reviewed By: M. Scott
Date: 10/2/12



CSH#	DESCRIPTION	QTY	UM	COMMENTS
DTJ	CONSOLIDECK SALTGUARD (PENSEAL 244)	0.55	GA	
EM-00005	1" X 8" PRESET WING INSERTS	3	EA	
EM-00011	DBSAE #4 X 18" EPOXY	5	EA	DOWEL BAR SPLICER
EM-00013	DBSAE #5 X 18" EPOXY	62	EA	DOWEL BAR SPLICER
EM-00033	3" FOAM CORE PVC	9.17	FT	
EM-00112	3/4" NC GALV. FERRULE INSERT	4	EA	
RM-00014	REBAR #4 EPOXY-GR 60 40'	516	LB	
RM-00016	REBAR #5 EPOXY-GR 60 40'	812	LB	
MX-FA5000SC20	MX DESIGN - FLY ASH 5000 SELF COMPACTIN	7.58	CY	

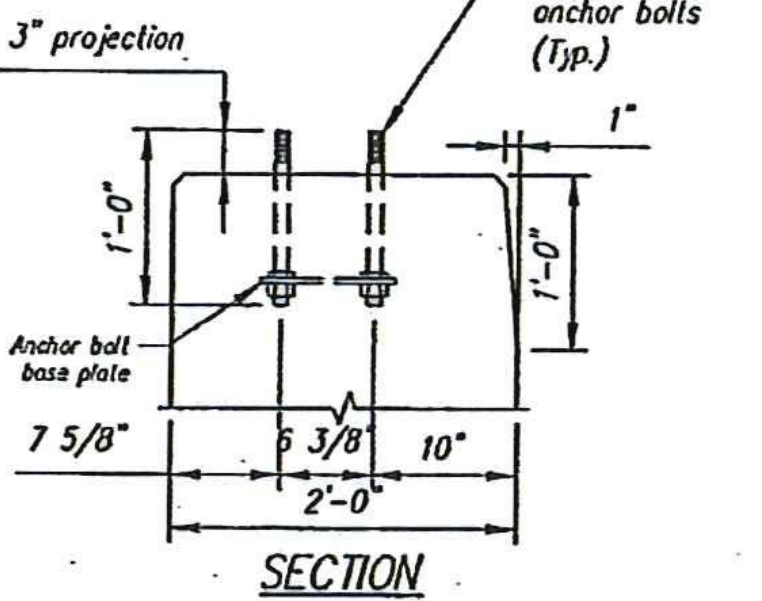
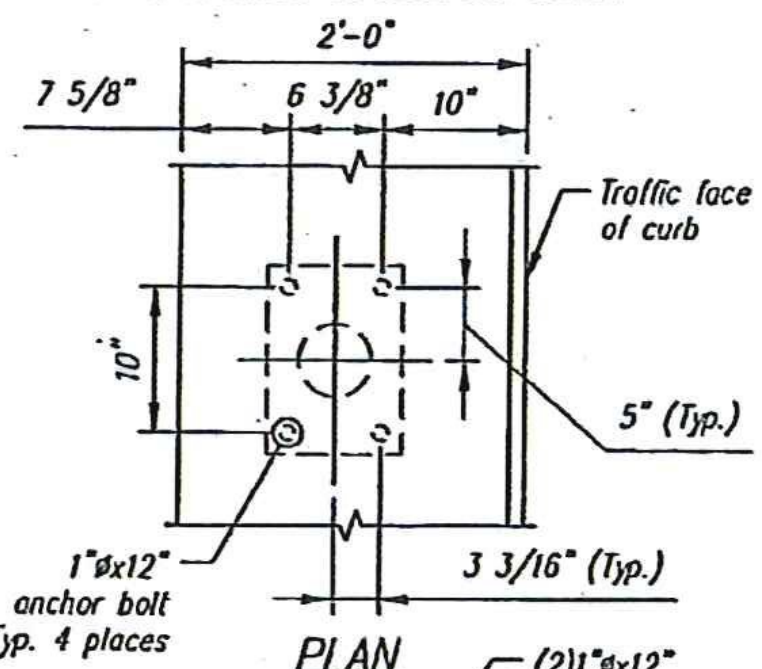
B3 BAFFLE WALL - BILL OF MATERIALS / EMBEDS				
CSH#	DESCRIPTION	QTY	UM	COMMENTS
EM-00019	DI #4 X 18" EPOXY	5	EA	DOWEL IN
RM-00014	REBAR #4 EPOXY-GR 60 40'	18	LB	
MX-FA5000SC20	MX DESIGN - FLY ASH 5000 SELF COMPACTIN	0.42	CY	

B3 HEADWALL - BILL OF MATERIALS / EMBEDS				
CSH#	DESCRIPTION	QTY	UM	COMMENTS
DTJ	CONSOLIDECK SALTGUARD (PENSEAL 244)	0.5	GA	
EM-00021	DI #5 X 18" EPOXY	62	EA	DOWEL IN
EM-00078	BT SPREAD ANCHOR #FL119/P94	2	EA	
RM-00016	REBAR #5 EPOXY-GR 60 40'	307	LB	
SBO	GUARDRAIL ANCHOR ASSY - 4 BOLTS PER	3	EA	
MX-FA5000SC20	MX DESIGN - FLY ASH 5000 SELF COMPACTIN	2.83	CY	

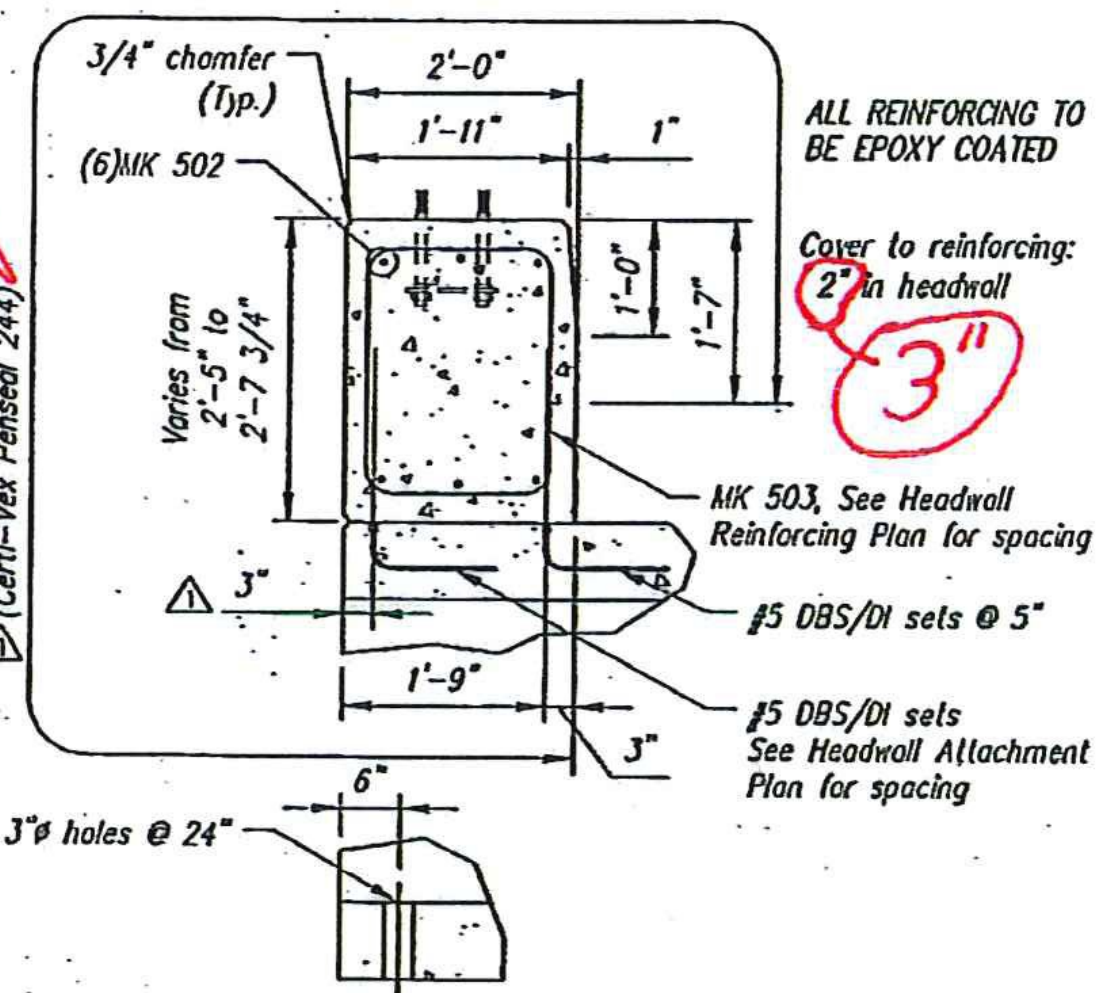
All Rebar to be Epoxy Coated Culvert Rebar Schedule			
MK	QTY	LENGTH	
401 #4	12	7' 4"	
402 #4	14	15' 0"	
403 #4	74	6' 5" max.	
501 #5	28	13' 4"	
502 #5	27	15' 0"	

All Rebar to be Epoxy Coated Headwall Rebar Schedule			
MK	QTY	LENGTH	
502 #5	6	15' 0"	
503 #5	25	8' 2"	

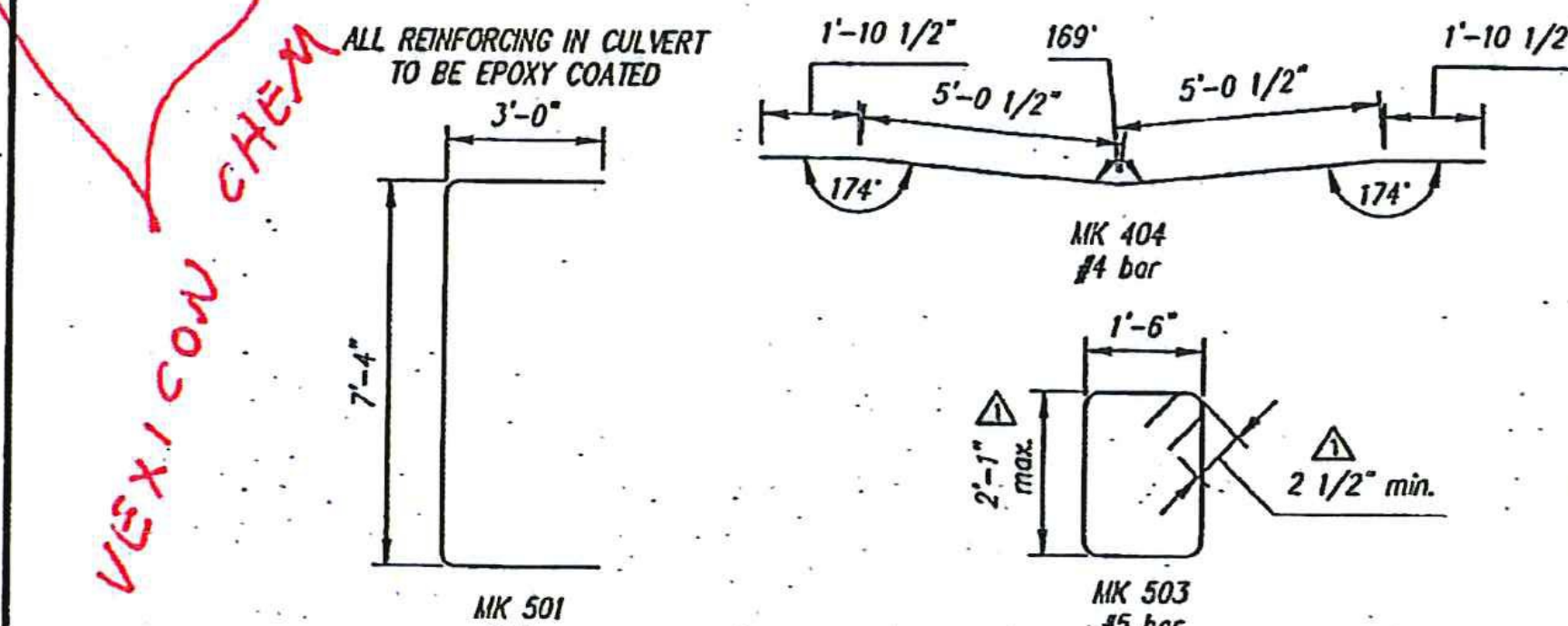
All Rebar to be Epoxy Coated Baffle Wall Rebar Schedule			
MK	QTY	LENGTH	
404 #4	1	13' 10"	
405 #4	1	12' 8"	



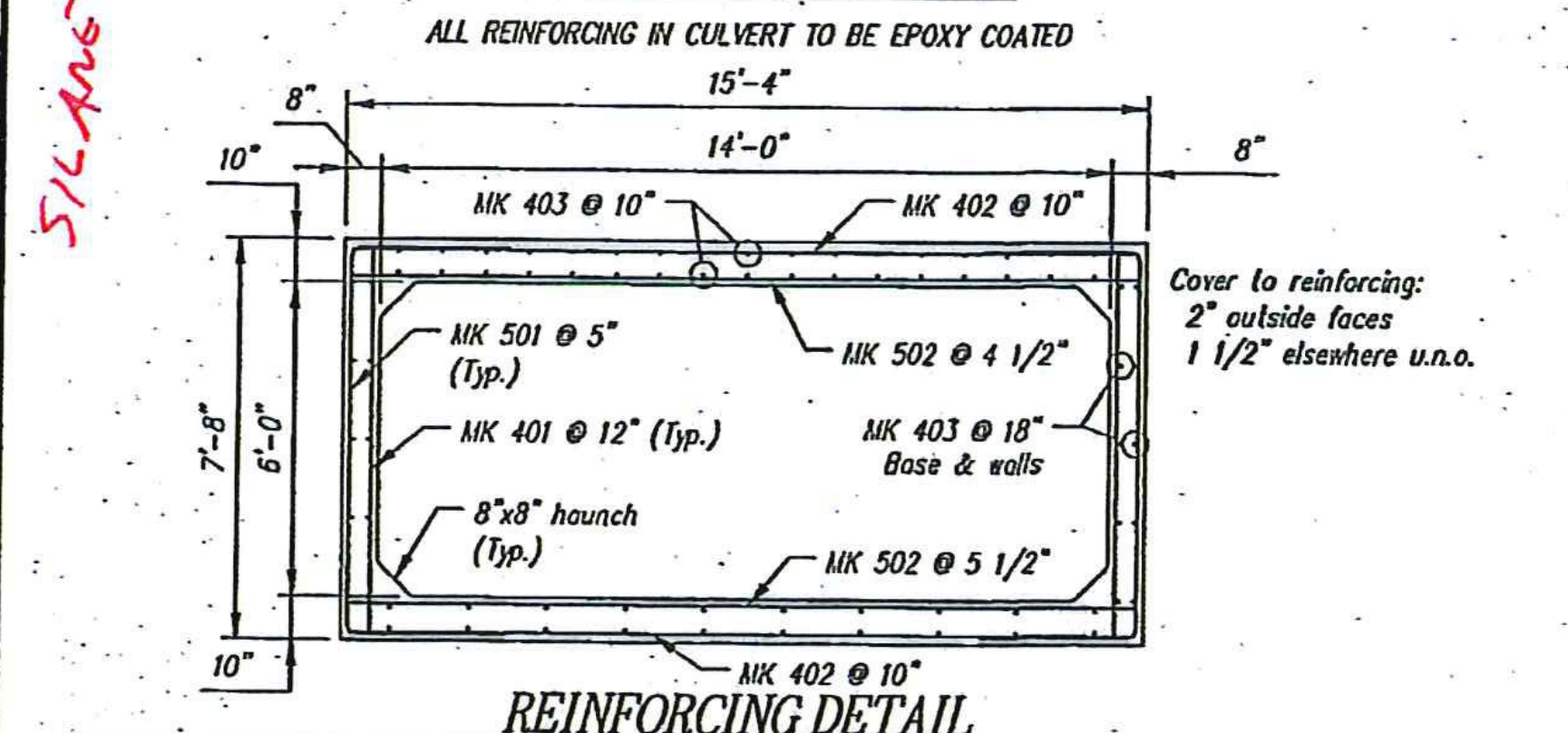
SECTION
GUARDRAIL ANCHOR DETAILS



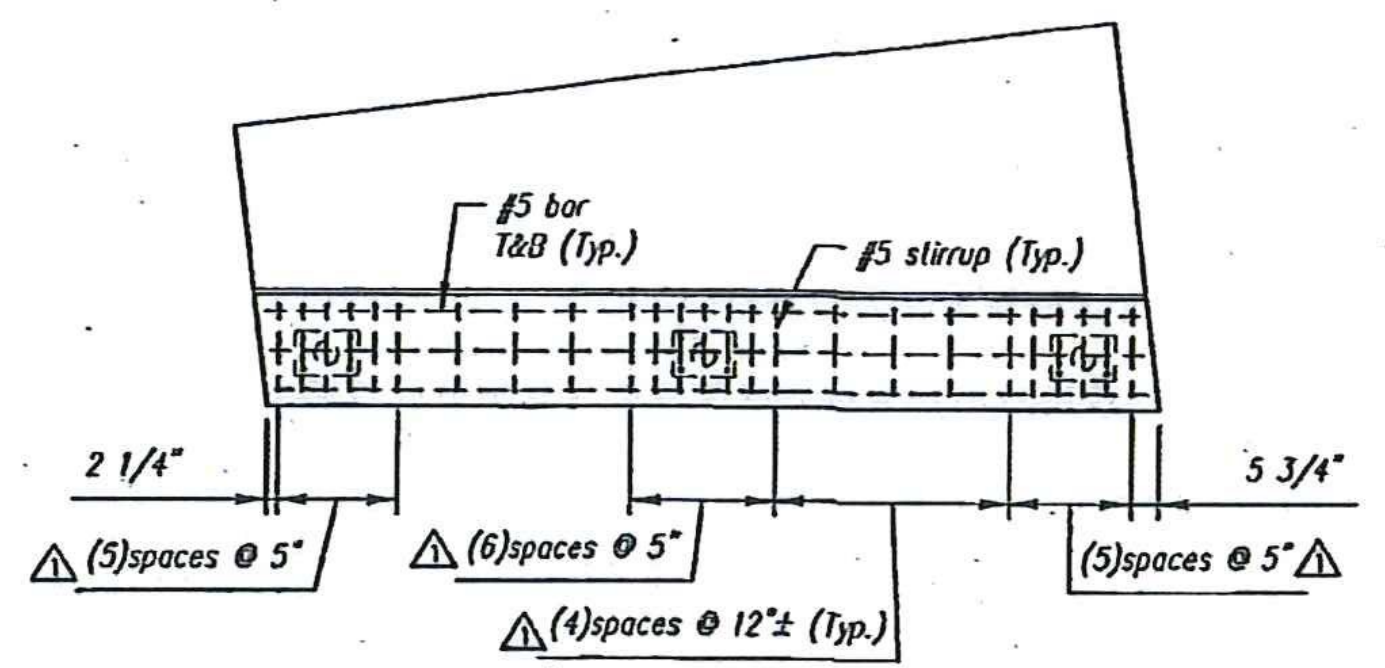
SECTION A



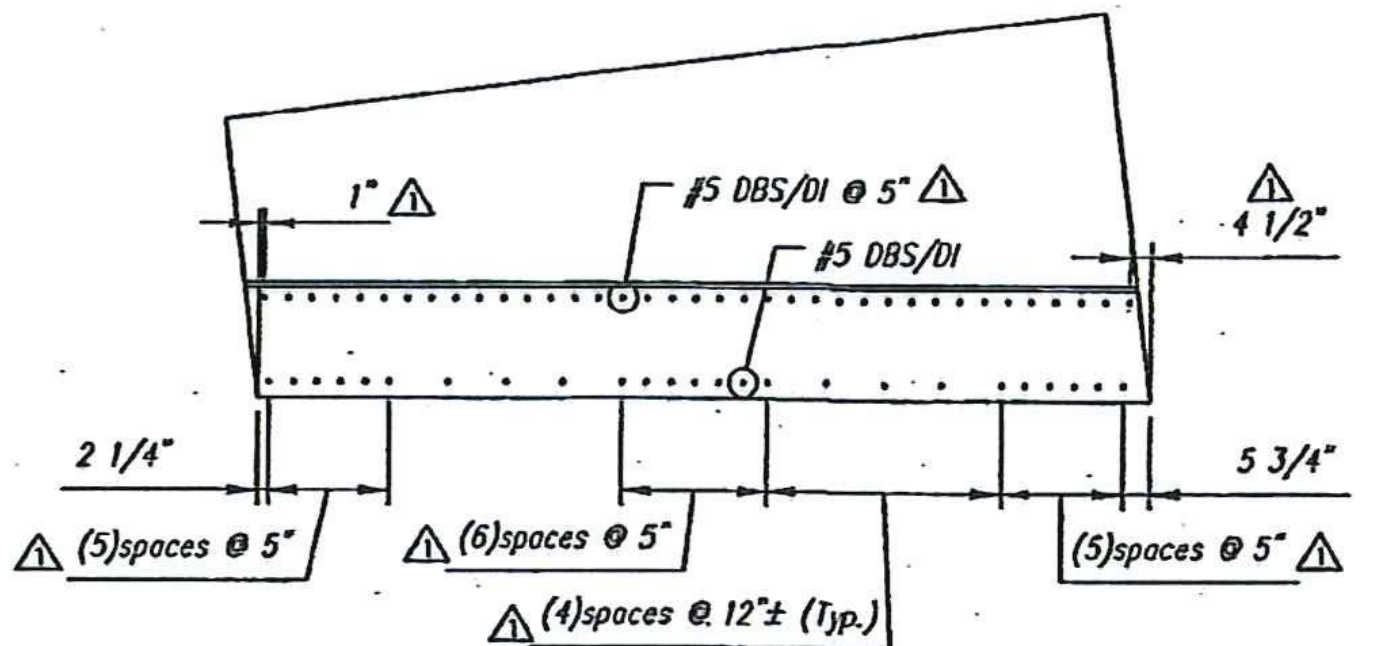
BENDING SCHEDULE



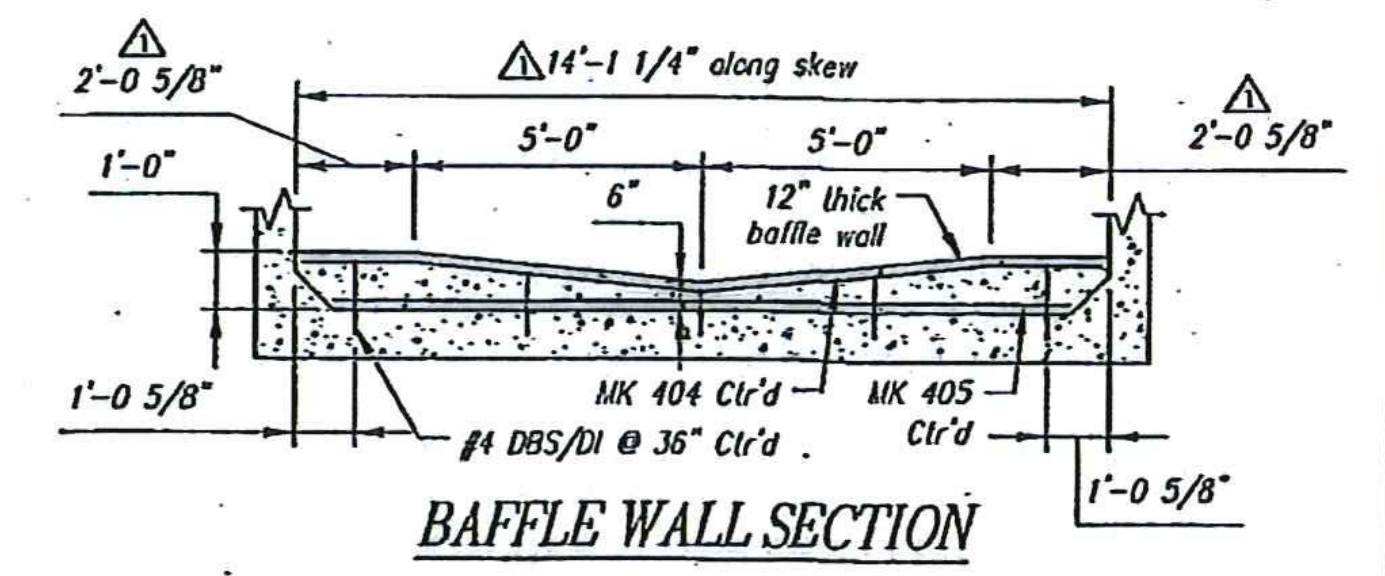
REINFORCING DETAIL



HEADWALL REINFORCING PLAN



DBS LAYOUT DETAIL



BAFFLE WALL SECTION

This drawing is based upon information provided from the following documents and/or sources:

Engineer:
Project No:
Drawings:
Specifications:
Other:

CSI
Concrete Systems Inc.
9 Commercial St., Hudson, NH, 03051
Phone 603-889-4163
Fax 603-889-2417

STATE AGENCY
VTrans
Drawn by: M. SCOTT
Checked by:
Approved by:
Date: 09/21/2012

HUBBARDTON ER STP 0161(27)
BRIDGE NO. 98
J.A. McDONALD, INC.
PROPOSED IMPROVEMENT BRIDGE PROJECT
HUBBARDTON, VT
SHOP DRAWING B3
C21377-B3
REV 1
Quantity: 1 Project No: ER STP 0161(27) SHEET 3B OF 3B

NO.	DATE	DESCRIPTION	BY
10			
9			
8			
7			
6			
5			
4			
3			
2			
1	10/02/12	Date	

Miscellaneous revisions: See revision triangles

Contractor is to verify that all information shown on drawings has been thoroughly checked, complies with the contract documents and is adequate to meet the field conditions. Some dimensions and details may differ slightly from contract drawings to accommodate the manufacturing or construction process. It is understood that no reproduction of this drawing is authorized without the written consent of the designer. Production will not commence until receipt of signed, approved shop drawings.

This drawing contains information proprietary to CONCRETE SYSTEMS, INC. and is based upon the understanding that it will be retained in confidence. It is understood that no reproduction of this drawing is authorized without the written consent of CONCRETE SYSTEMS, INC. and that it will be returned to CONCRETE SYSTEMS, INC. upon request.

STATE OF VERMONT
CHRISTOPHER M. VICK
NO. 77928
Structural
LICENSED
PROFESSIONAL ENGINEER
Stamp for structural design only