

SHOP DRAWING REVIEW

REVIEWED AS REQUIRED BY THE CONSTRUCTION CONTRACT DOCUMENTS AND APPROVED, BUT ONLY FOR CONFORMANCE TO THE DESIGN CONCEPT OF THE WORK, AND SUBJECT TO FURTHER LIMITATIONS AND REQUIREMENTS CONTAINED IN THE CONSTRUCTION CONTRACT DOCUMENTS.

REJECTED REVISE AND RESUBMIT FURNISH AS CORRECTED

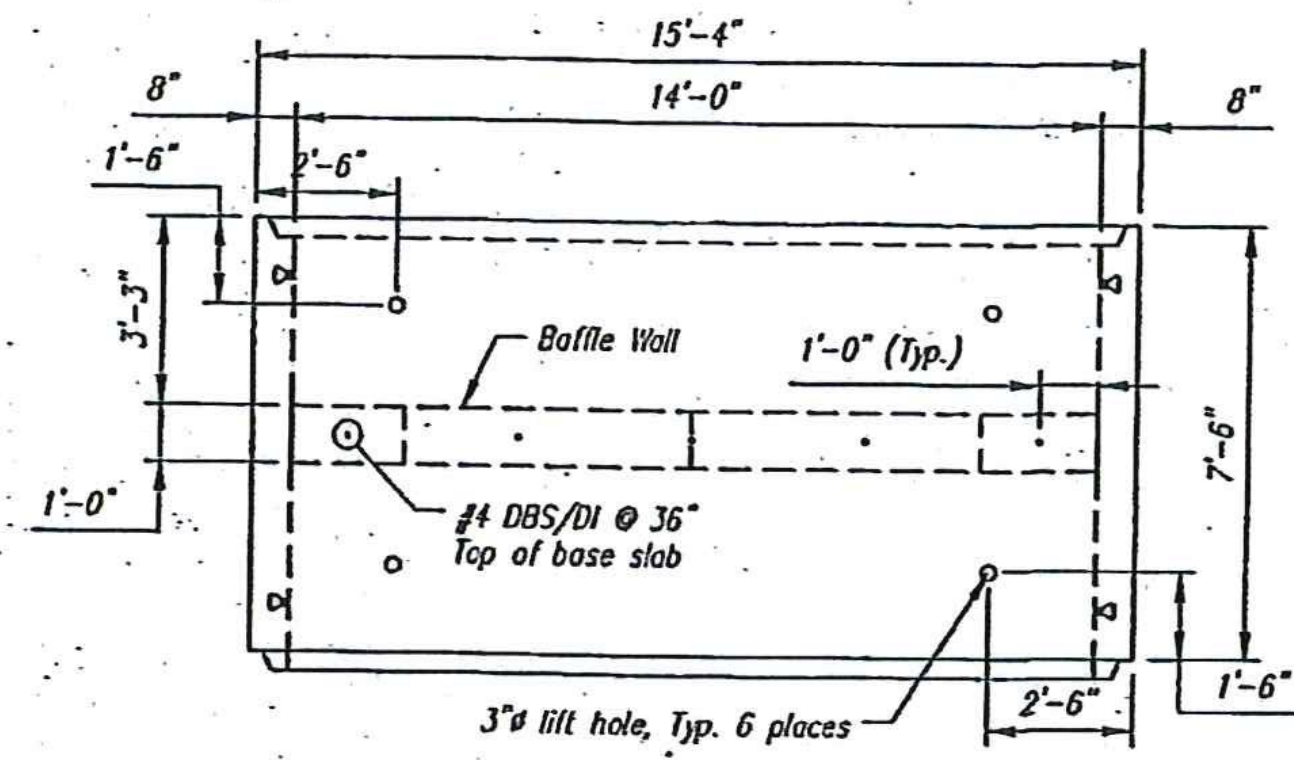
CORRECTIONS OR COMMENTS MADE ON THE SHOP DRAWINGS DURING THIS REVIEW DO NOT RELIEVE CONTRACTOR FROM COMPLIANCE WITH REQUIREMENTS OF THE DRAWINGS AND SPECIFICATIONS. THIS CHECK IS ONLY FOR REVIEW OF GENERAL CONFORMANCE WITH THE DESIGN CONCEPT OF THE PROJECT AND GENERAL COMPLIANCE WITH THE INFORMATION GIVEN IN THE CONTRACT DOCUMENTS. THE CONTRACTOR IS RESPONSIBLE FOR CONFIRMING AND CORRELATING ALL QUANTITIES AND DIMENSIONS, SELECTING FABRICATION PROCESSES AND TECHNIQUES OF CONSTRUCTION, COORDINATING HIS WORK WITH THAT OF ALL OTHER TRADES, AND PERFORMING HIS WORK IN A SAFE AND SATISFACTORY MANNER.



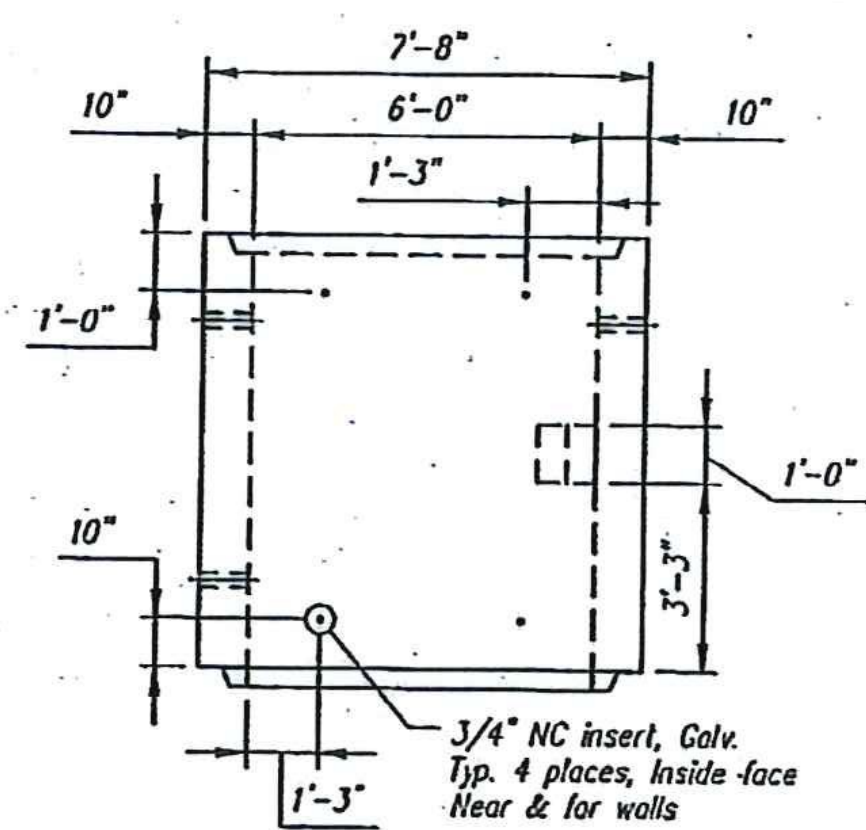
Vanasse Hangen Brustlin, Inc.
7055 US Route 7
North Ferrisburgh, VT 05473
802.425.7788

HUBBARDTON ER STP 0161(27)
Job Number: ER STP 0161(27)
Reviewed By: S. G. FARNSWORTH
Date: 10-2-2012

| B2 CULVERT PIECE - BILL OF MATERIALS / EMBEDS | | | | |
|---|--|------|----|-------------------|
| CSI ID# | DESCRIPTION | QTY | UM | COMMENTS |
| EM-00011 | DBSAE #4 X 18" EPOXY | 5 | EA | DOWEL BAR SPLICER |
| EM-00033 | 3" FOAM CORE PVC | 5 | FT | |
| EM-00112 | 3/4" NC. GALV. FERRULE INSERT | 8 | EA | |
| JS-00002 | 1"X1" CLOSED NEOP GASKET | 46 | FT | AROUND BELL |
| RM-00014 | REBAR #4 EPOXY - GR 60 40' | 617 | LB | |
| RM-00016 | REBAR #5 EPOXY - GR 60 40' | 1064 | LB | |
| MX-FA5000SC20 | MIX DESIGN - FLY ASH 5000 SELF COMPACTIN | 9.57 | CY | |
| B2 BAFFLE WALL - BILL OF MATERIALS / EMBEDS | | | | |
| EM-00019 | DI #4 X 18" EPOXY | 5 | EA | DOWEL IN |
| RM-00014 | REBAR #4 EPOXY - GR 60 40' | 18 | LB | |
| MX-FA5000SC20 | MIX DESIGN - FLY ASH 5000 SELF COMPACTIN | 0.41 | CY | |



PLAN



R. SIDE

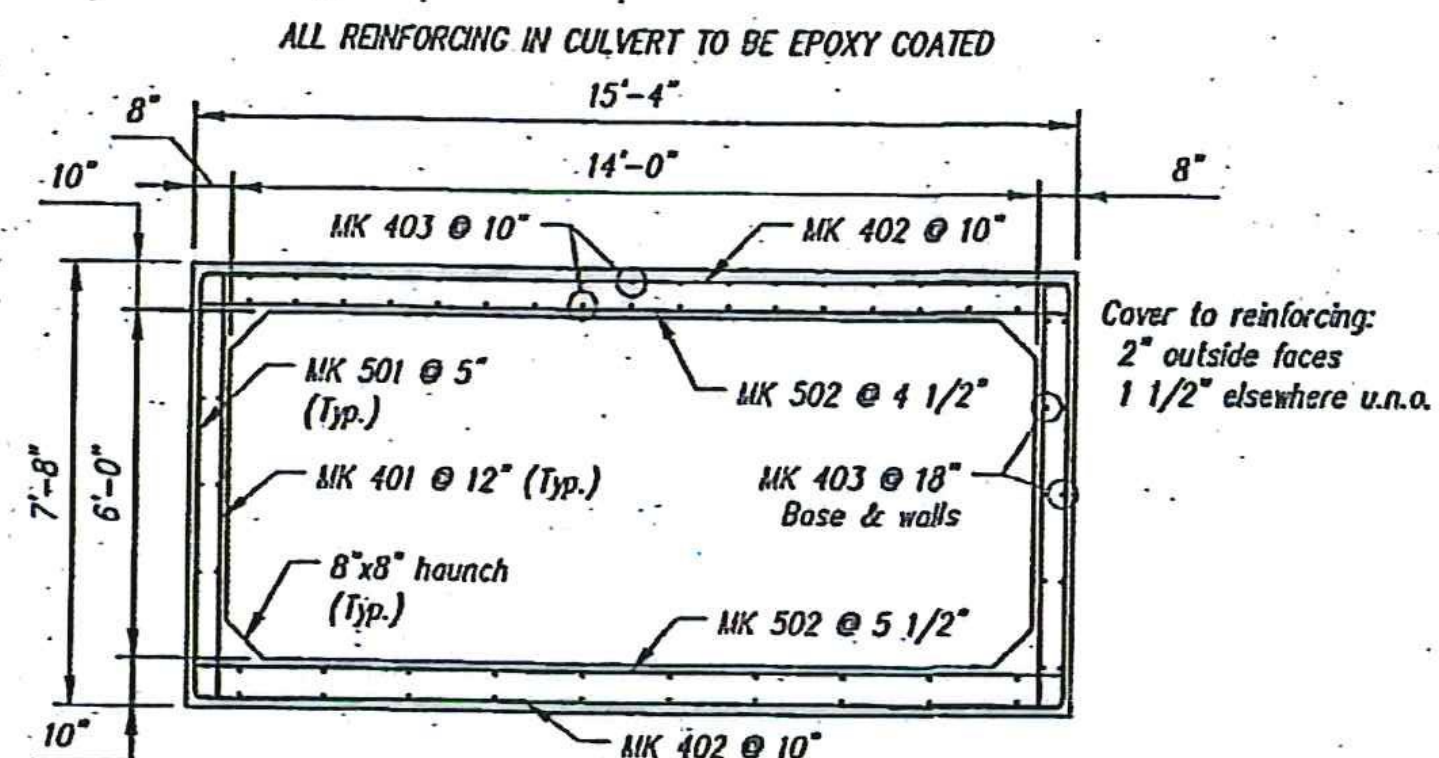
All Rebar to be Epoxy Coated
Culvert Rebar Schedule

| MK | QTY | LENGTH |
|--------|-----|----------|
| 401 #4 | 16 | 7' L 4" |
| 402 #4 | 18 | 15' L 0" |
| 403 #4 | 74 | 7' L 3" |
| 501 #5 | 36 | 13' L 4" |
| 502 #5 | 36 | 15' L 0" |

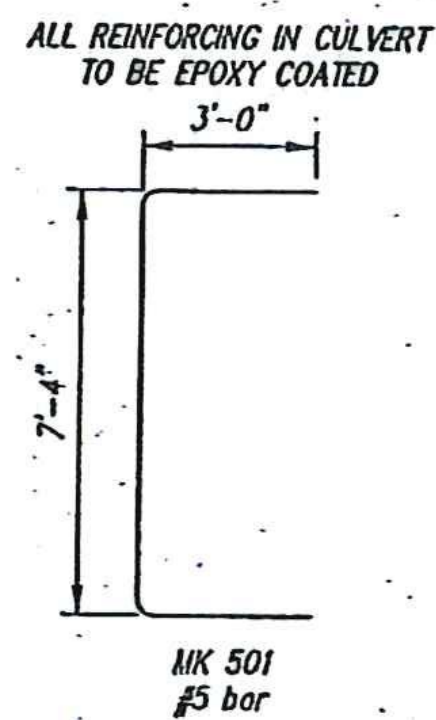
All Rebar to be Epoxy Coated
Baffle Wall Rebar Schedule

| MK | QTY | LENGTH |
|--------|-----|-----------|
| 404 #4 | 1 | 13' L 10" |
| 405 #4 | 1 | 12' L 8" |

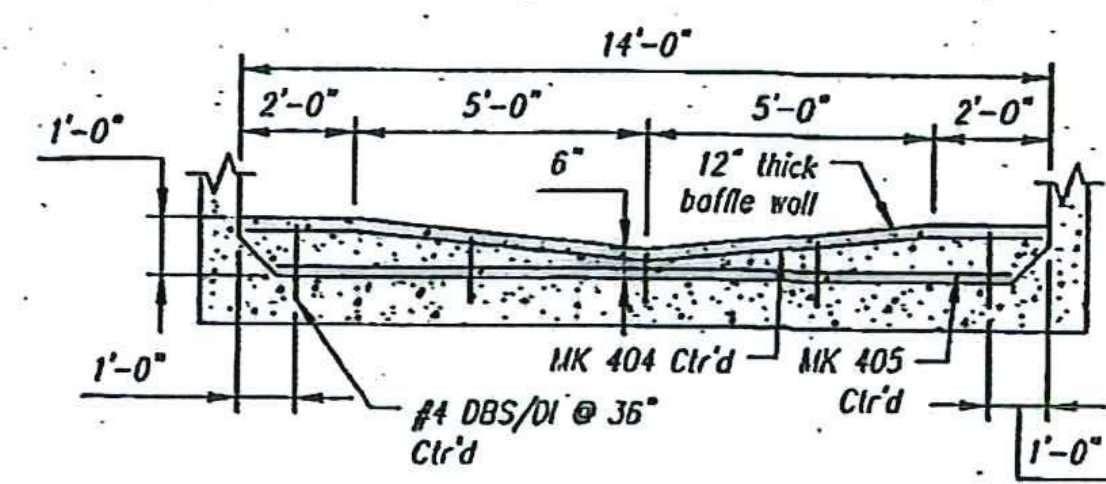
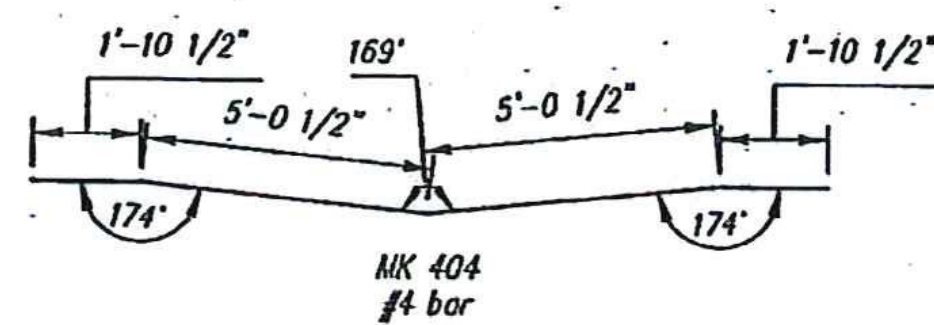
QTY = 3
WEIGHT = 20.21 TONS



REINFORCING DETAIL



BENDING SCHEDULE



BAFFLE WALL SECTION

Contractor is to verify that all information shown on drawings has been thoroughly checked, complies with the contract documents and is adequate to meet the field conditions. Some dimensions and details may differ slightly from contract drawings to accommodate the manufacturing or construction process. It is understood that no reproduction of this drawing or any part thereof shall be made without the written consent of the engineer. Production will not commence until receipt of signed, approved shop drawings.

This drawing contains information proprietary to CONCRETE SYSTEMS, INC. It is to be used only for the project for which it was prepared. It is understood that no reproduction of this drawing or any part thereof shall be made without the written consent of CONCRETE SYSTEMS, INC. and that it will be returned to CONCRETE SYSTEMS, INC. upon request.

This drawing is based upon information provided from the following documents and/or sources:

Engineer:
Project No:
Drawings:
Specifications:
Other:

CSI
Concrete Systems Inc.
9 Commercial St., Hudson, NH, 03051
Phone 603-889-4163
Fax 603-889-2417

STATE AGENCY
VTTrans
Drawn by: M. SCOTT
Checked by:
Approved by:
Date: 09/21/2012

HUBBARDTON ER STP 0161(27)
BRIDGE NO. 98
J.A. McDONALD, INC.
PROPOSED IMPROVEMENT BRIDGE PROJECT
HUBBARDTON, VT
SHOP DRAWING B2
C21377-B2
REV 1



Stamp for structural design only

| Rev. | Date | Description |
|------|----------|---|
| 10 | | |
| 9 | | |
| 8 | | |
| 7 | | |
| 6 | | |
| 5 | | |
| 4 | | |
| 3 | | |
| 2 | | |
| 1 | 10/02/12 | Miscellaneous revisions: See revision triangles |