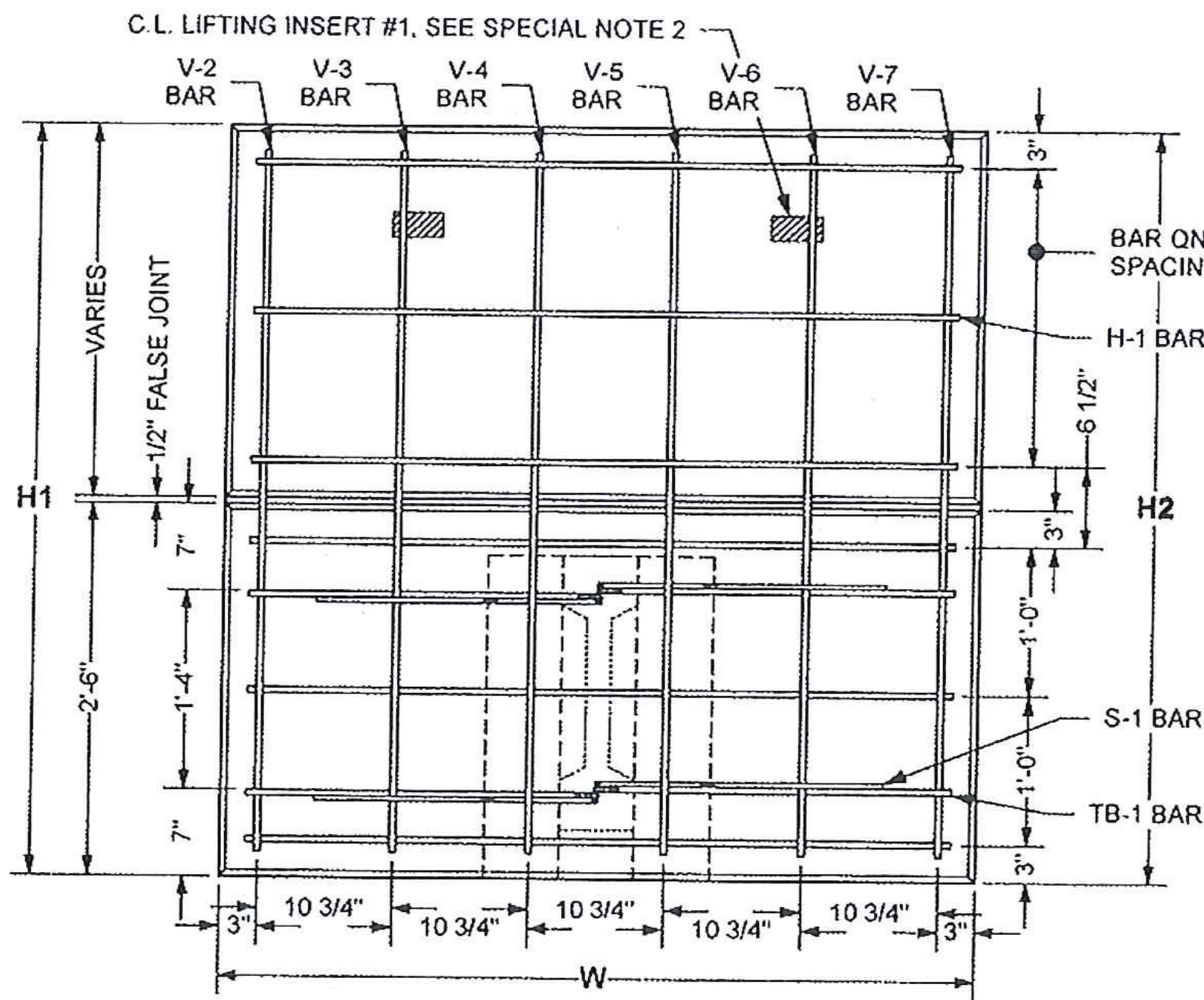


SPECIAL NOTES:

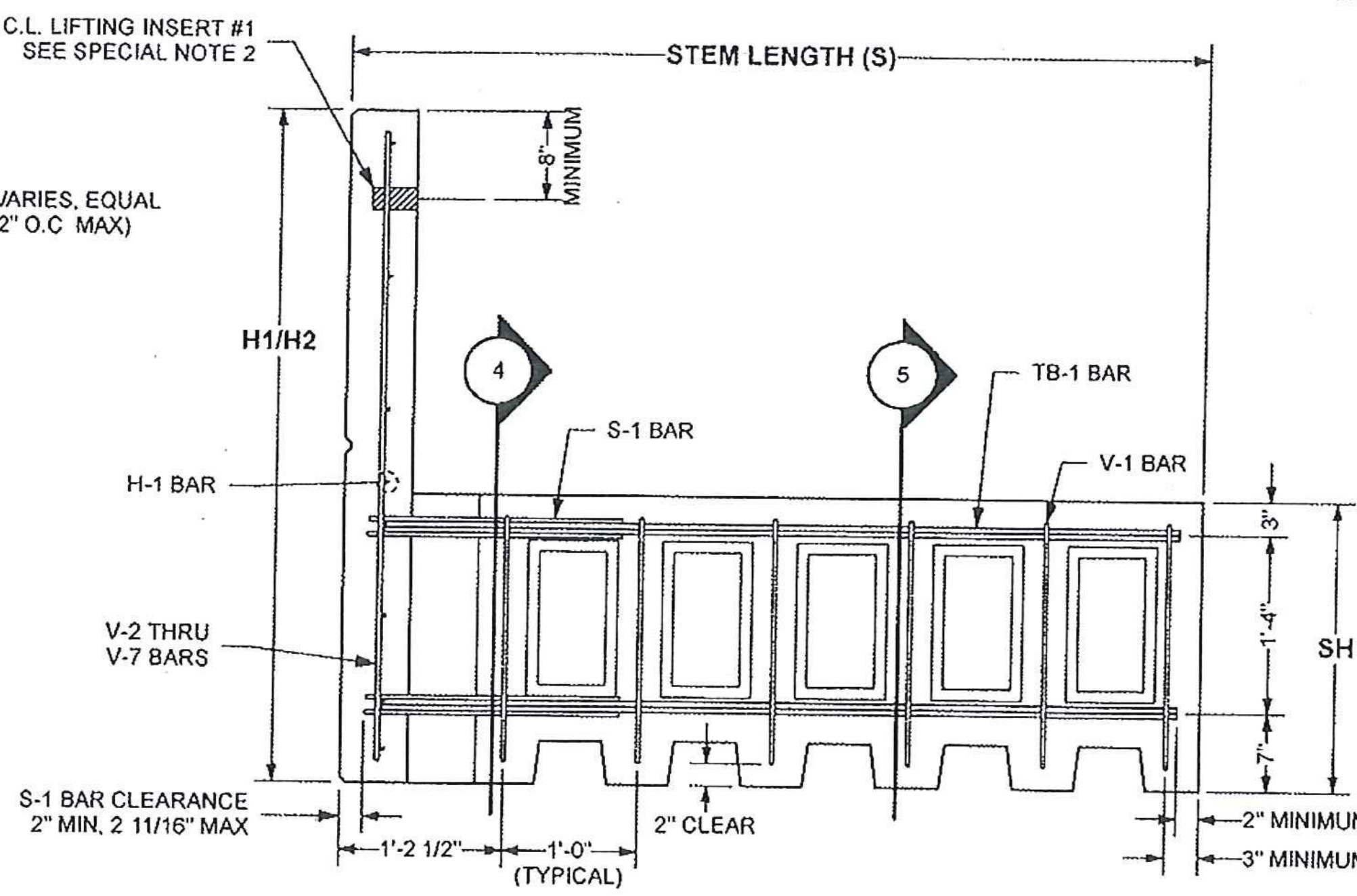
- FRONT FACE OF T-WALL® UNITS FINISH TREATMENT:
 - PLAIN STEEL FORM FINISH
 - 1/2" CHAMFER AROUND FRONT FACE
- LIFTING INSERTS CAPACITY:
 - TWO QUICKLIFT® QL050G LIFTING INSERTS OR EQUAL, SPACED AT LEAST 30" APART.
 - 2000 LBS (1 TON) MINIMUM RATED WORKING LOAD CAPACITY.
 - MINIMUM CONCRETE STRENGTH SHALL BE 3,500 psi PRIOR TO STRIPPING AND LIFTING OPERATIONS.
- 1/2" FALSE JOINT LOCATION:
 - IF H-1 IS GREATER THEN 2'-6", THEN FIRST FALSE JOINT WILL BE 2'-6" FROM THE BOTTOM OF THE UNIT.
 - IF H-1 IS GREATER THEN 5'-0", THEN SECOND FALSE JOINT WILL BE 2'-6" ABOVE THE FIRST FALSE JOINT.
 - THE FALSE JOINT WILL 1/2" HIGH AND 1/2" DEEP.

GENERAL NOTES:

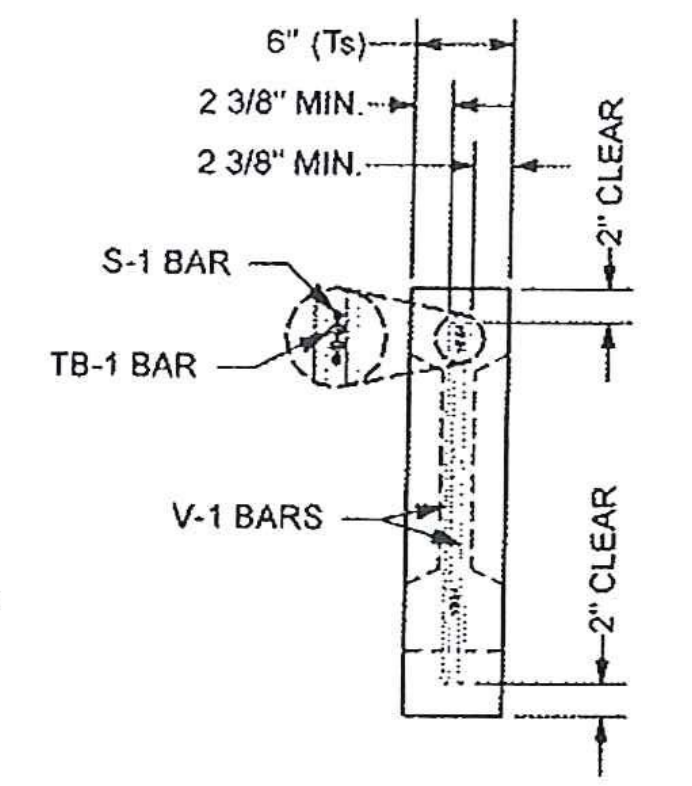
- PRIMARY REFERENCE:
 - 2010 AASHTO LRFD BRIDGE SPECIFICATIONS WITH INTERIM SPECIFICATIONS THROUGH 2010.
- T-WALL® CONCRETE:
 - F_c = 5000 psi (MINIMUM) @ 28 DAYS
 - MINIMUM STRIPPING STRENGTH: 2500 psi
- T-WALL® REINFORCING STEEL:
 - ASTM A615 GRADE 60 EPOXY COATED
 - F_y = 60 ksi (GRADE 60)
 - WELDING IS NOT PERMITTED
- MARKING OF PRECAST UNITS:
 - CLEARLY MARK EACH PRECAST UNIT ON THE BUTT END OF THE STEM WITH THE UNIT TYPE (i.e. 2.5x5.0x6 STD), THE DATE OF MANUFACTURE, THE LOT NUMBER (IF APPLICABLE), AND THE TRADEMARK "T-WALL®".
- REINFORCING FABRICATION AND PLACEMENT TOLERANCES:
 - THE STRUCTURAL DESIGN OF PRECAST UNITS ASSUMES 2 INCHES OF CONCRETE COVER OVER ALL REINFORCING BARS.
 - UNLESS OTHERWISE NOTED IN CONTRACT DOCUMENTS OR REFERENCED SPECIFICATIONS, TOLERANCES ON CONCRETE COVER SHALL BE ± 3/8 INCHES.
 - UNLESS OTHERWISE NOTED IN CONTRACT DOCUMENTS OR REFERENCED SPECIFICATIONS, TOLERANCES ON BAR PLACEMENT SHALL BE:
 - VERTICAL LOCATION OF TB-1 BARS: ± 3/8 INCHES
 - LOCATION / SPACING OF H-1, V-1 & V-2 BARS: ± 1 INCH
 - REGARDLESS OF THE SPECIFIED PLACEMENT TOLERANCES, CONCRETE COVER SHALL BE MAINTAINED WITHIN ± 3/8 INCHES AS PREVIOUSLY NOTED.
 - ALL REINFORCING BARS SHALL BE CUT AND BEND FOLLOWING REQUIREMENTS OF THE CRSI MANUAL OF STANDARD PRACTICE.
 - UNLESS NOTED OTHERWISE, TOLERANCES FOR BAR FABRICATION SHALL MEET REQUIREMENTS OF STANDARD ACI 318 AND THE CRSI MANUAL OF STANDARD PRACTICE.



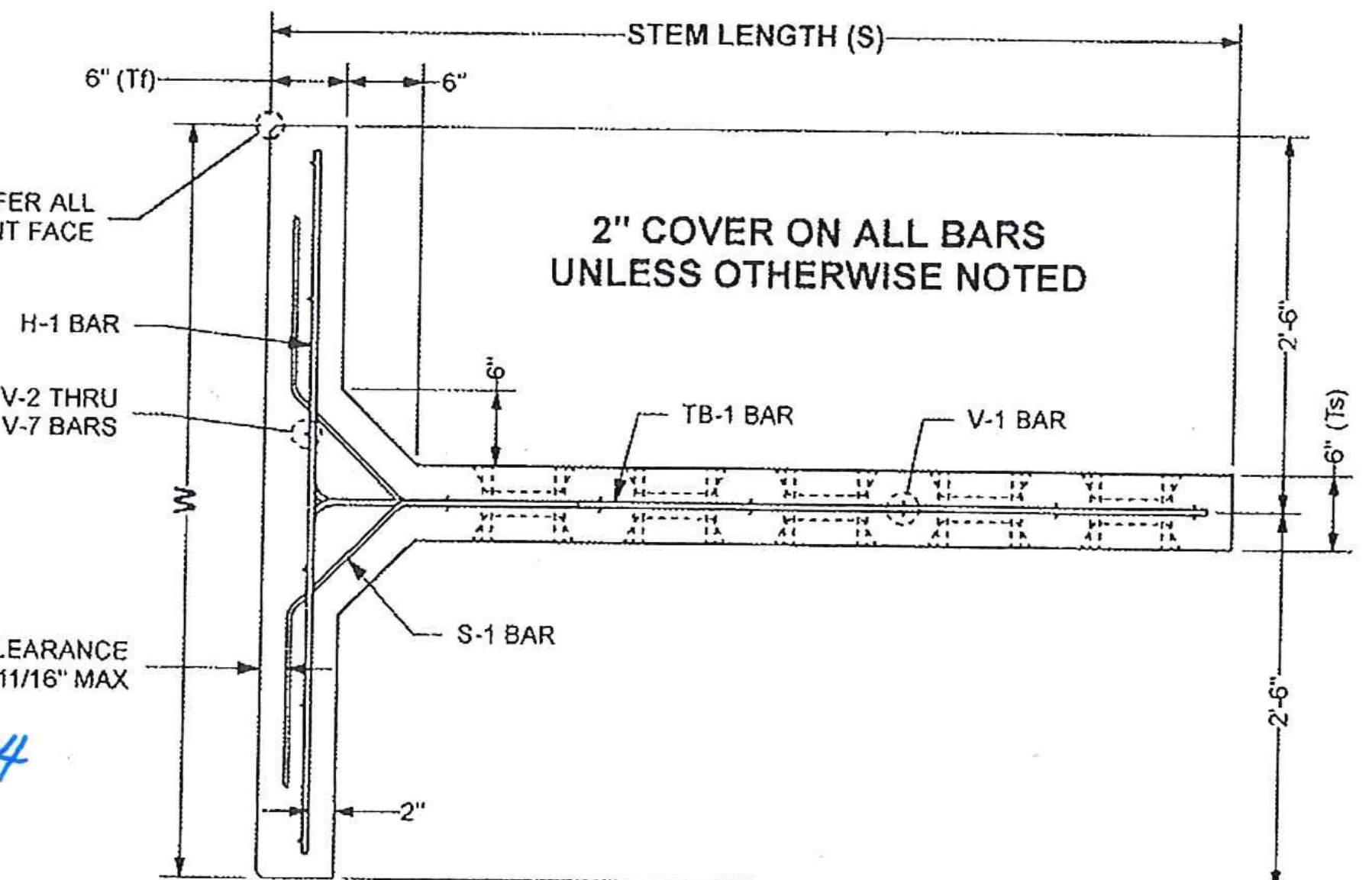
3 FRONT VIEW - 6' STEM UNIT SHOWN
Scale: 1" = 1'-0" (V-1 BARS IN STEM OMITTED FOR CLARITY)



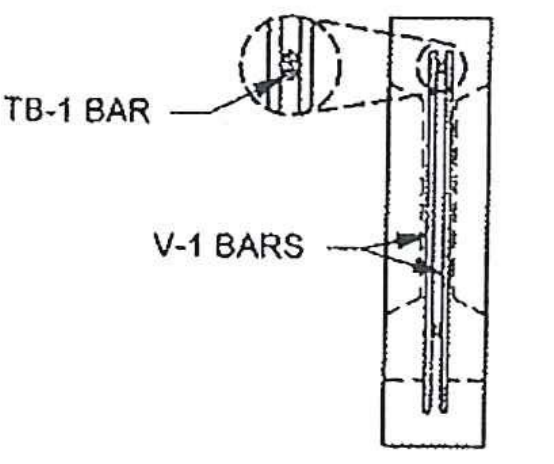
2 SIDE VIEW - 6' STEM UNIT SHOWN
Scale: 1" = 1'-0"



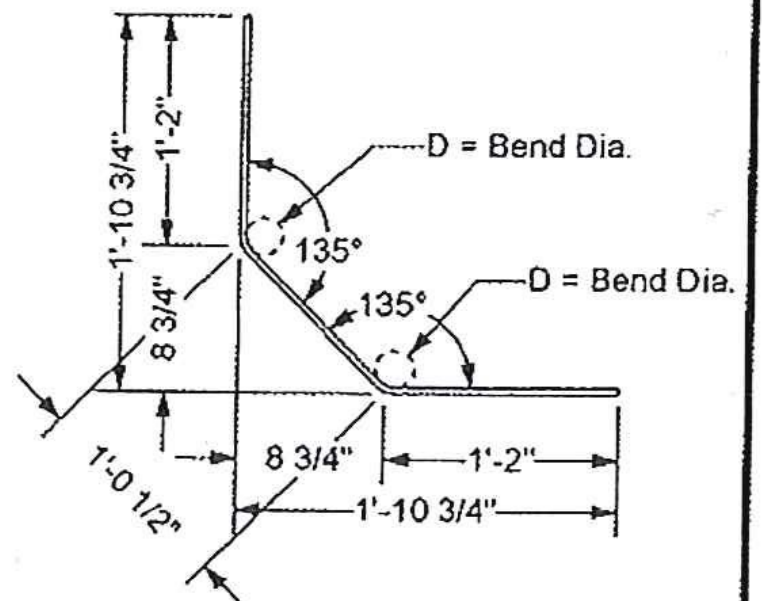
4 SECTION AT STEM
Scale: 1" = 1'-0"



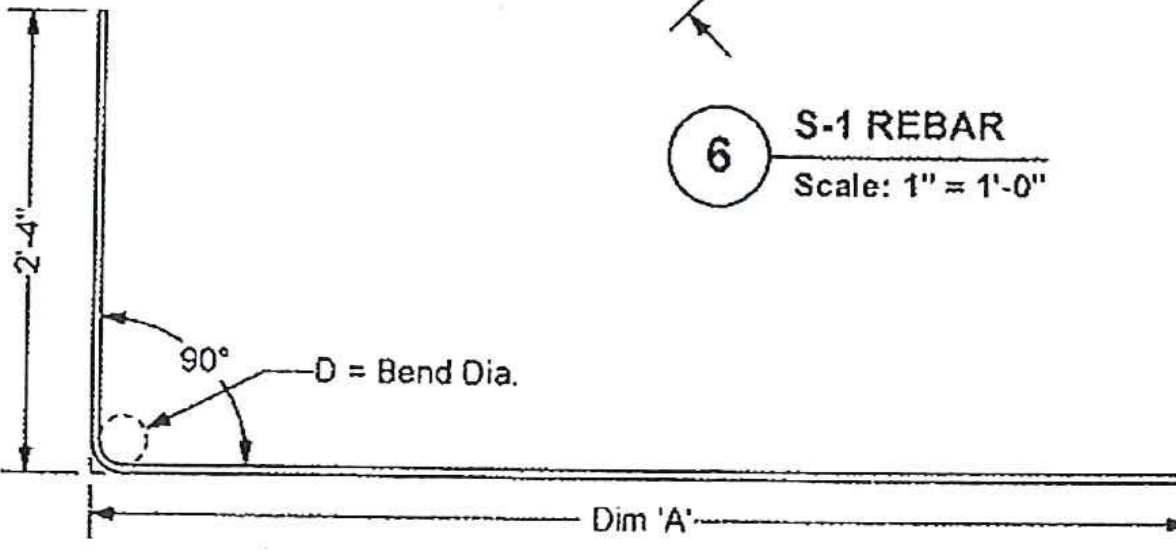
1 PLAN VIEW - 6' STEM UNIT SHOWN
Scale: 1" = 1'-0"



5 SECTION AT STEM
Scale: 1" = 1'-0"



6 S-1 REBAR
Scale: 1" = 1'-0"



7 TB-1 REBAR
Scale: 1" = 1'-0"

SHOP DRAWING REVIEW

REVIEWED AS REQUIRED BY THE CONSTRUCTION CONTRACT DOCUMENTS AND APPROVED, BUT ONLY FOR CONFORMANCE TO THE DESIGN CONCEPT OF THE WORK, AND SUBJECT TO FURTHER LIMITATIONS AND REQUIREMENTS CONTAINED IN THE CONSTRUCTION CONTRACT DOCUMENTS.

REJECTED REVISE AND RESUBMIT FURNISH AS CORRECTED

CORRECTIONS OR COMMENTS MADE ON THE SHOP DRAWINGS DURING THIS REVIEW DO NOT RELIEVE CONTRACTOR FROM COMPLIANCE WITH REQUIREMENTS OF THE DRAWINGS AND SPECIFICATIONS. THIS CHECK IS ONLY FOR REVIEW OF GENERAL CONFORMANCE WITH THE DESIGN CONCEPT OF THE PROJECT AND GENERAL COMPLIANCE WITH THE INFORMATION GIVEN IN THE CONTRACT DOCUMENTS. THE CONTRACTOR IS RESPONSIBLE FOR: CONFIRMING AND CORRELATING ALL QUANTITIES AND DIMENSIONS; SELECTING FABRICATION PROCESSES AND TECHNIQUES OF CONSTRUCTION; COORDINATING HIS WORK WITH THAT OF ALL OTHER TRADES; AND PERFORMING HIS WORK IN A SAFE AND SATISFACTORY MANNER.

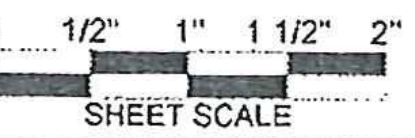
Vanasse Hangen Brustlin, Inc.
7056 US Route 7
North Ferrisburgh, VT 05473
802.425.7788

Job Number: **ER STP 0161 (2)**
Reviewed By: **S. FARNSWORTH**
Date: **9-28-2012**

REBAR SCHEDULES

Unit Dims	Bar Mark	Qty	Size	Length	Dim "A"	Bar Weight	Bend Dia
H=4'8" MAX	H-1	VARIES	#4	4'8"			
W=5'0"	V-1	12 ea	#3	1'10"		8.27 lbs	
S=6'4 1/2"	V-2 THRU V-7	1 ea	#5	VARIES			
SH=2'2"	S-1	4 ea	#3	3'4 1/2"		5.08 lbs	D= 2 1/4"
	TB-1	4 ea	#4	8'3"	5'11"	22.04 lbs	D= 3"

MARK No.	QNTY	STEM	WIDTH	H1	H2	H-1 BAR	V-2 BAR	V-3 BAR	V-4 BAR	V-5 BAR	V-6 BAR	V-7 BAR	VOL	WEIGHT	AREA
SP4R	1 ea	6'0"	5'0"	3'5"	2'1 7/8"	4 ea	3'0 1/4"	2'9 1/4"	2'6 1/4"	2'4 3/4"	2'1 3/4"	1'10 3/4"	0.48 cy	1,945 lbs	13.95 sf



The design contained on these drawings is based upon information provided by the owner. On the basis of this information, The Neel Company has designed, and is responsible for, the internal stability of the structure only. External stability, including foundation and slope stability, is the responsibility of the owner.

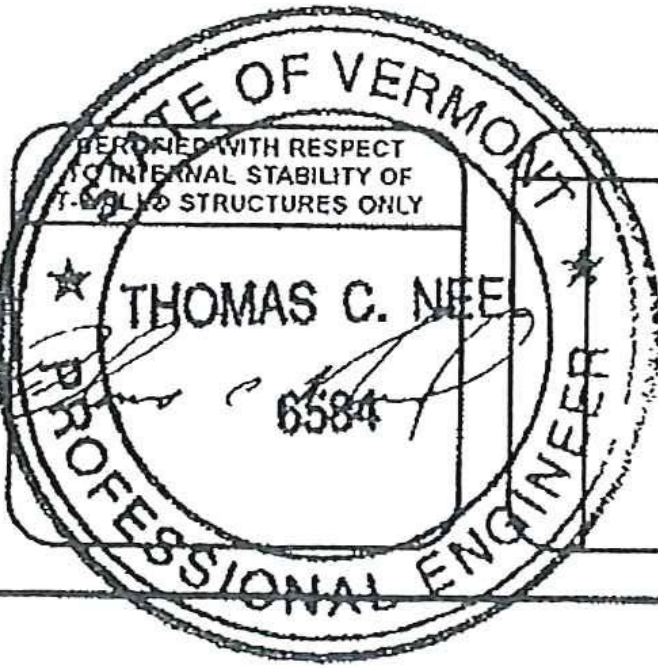
This drawing contains information proprietary to The Neel Company. T-WALL® is a registered trademark owned by The Neel Company. ©2012 The Neel Company

PRECASTER: CONCRETE SYSTEMS INC. HUDSON, NH T21377

CONTRACTOR: J. A. MCDONALD INC. LYNDON CENTER, VERMONT

DESIGNER: THE NEEL COMPANY
8328-D TRAFORD LANE SPRINGFIELD, VIRGINIA 22152
PH: (703) 913-7858
FX: (703) 913-7859
WEB: WWW.NEELCO.COM

PROJECT #: TW4083



NO.	REVISIONS

RTE. 30 BRIDGE IMPROVEMENTS
BRIDGE NO. 98
TOWN OF HUBBARDTON, VT
ER STP 0161 (27)
SHOP DRAWINGS
SLOPED TOP REDUCED HEIGHT STEM SPECIAL UNITS
REBARS & DIMENSIONS
T-WALL® RETAINING WALL SYSTEM

SCALE:	1" = 1'
DATE:	9-25-2012
DESIGNED BY:	NN
DRAWN BY:	HS
CHECKED BY:	NN
SHEET:	7