

SHOP DRAWING REVIEW

- REVIEWED AS REQUIRED BY THE CONSTRUCTION CONTRACT DOCUMENTS AND APPROVED, BUT ONLY FOR CONFORMANCE TO THE DESIGN CONCEPT OF THE WORK, AND SUBJECT TO FURTHER LIMITATIONS AND REQUIREMENTS CONTAINED IN THE CONSTRUCTION CONTRACT DOCUMENTS
- REJECTED
- REVISE AND RESUBMIT
- FURNISH AS CORRECTED

CORRECTIONS OR COMMENTS MADE ON THE SHOP DRAWINGS DURING THIS REVIEW DO NOT RELIEVE CONTRACTOR FROM COMPLIANCE WITH REQUIREMENTS OF THE DRAWINGS AND SPECIFICATIONS. THIS CHECK IS ONLY FOR REVIEW OF GENERAL CONFORMANCE WITH THE DESIGN CONCEPT OF THE PROJECT AND GENERAL COMPLIANCE WITH THE INFORMATION GIVEN IN THE CONTRACT DOCUMENTS. THE CONTRACTOR IS RESPONSIBLE FOR: CONFIRMING AND CORRELATING ALL QUANTITIES AND DIMENSIONS; SELECTING FABRICATION PROCESSES AND TECHNIQUES OF CONSTRUCTION; COORDINATING HIS WORK WITH THAT OF ALL OTHER TRADES; AND PERFORMING HIS WORK IN A SAFE AND SATISFACTORY MANNER.



Vanasse Hangen Brustlin, Inc.
 7056 US Route 7
 North Ferrisburgh, VT 05473
 802.425.7788

HUBBARDTON
 Job Number: **ER STP 0161 (27)**
 Reviewed By: **S. FARNSWORTH**
 Date: **9-29-2012**

T-WALL UNIT PROPERTIES

UNIT TYPE	H	W	S	Tf	Ts	SH	VOLUME*	WEIGHT*
2.5x5.0x05 Std	2'6"	5'0"	6'4 1/2"	6"	6"	2'6"	0.45 cy	1,827 lbs
2.5x5.0x08 Std	2'6"	5'0"	8'4 1/2"	6"	6"	2'6"	0.52 cy	2,088 lbs
2.5x5.0x10 Std	2'6"	5'0"	10'4 1/2"	6"	6"	2'6"	0.58 cy	2,349 lbs
2.5x5.0x12 Std	2'6"	5'0"	12'4 1/2"	6"	6"	2'6"	0.64 cy	2,610 lbs

* VOLUMES AND WEIGHTS ON THIS TABLE ARE BASED ON 6" FACE THICKNESS (Tf)

REBAR SCHEDULES

2.5x5.0x06 Std HIGHWAY REBAR

Unit Dims	Bar Mark	Qty	Size	Length	Dim "A"	Bar Weight	Bend Dia	Remarks	
H=2'6"	H-1	3 ea	#4	4'8"		9.35 lbs			
W=5'0"	V-1	12 ea	#3	2'2"		9.78 lbs			
S=6'4 1/2"	V-2	6 ea	#3	2'2"		4.89 lbs			
SH=2'6"	S-1	4 ea	#3	3'4 1/2"		5.08 lbs	D= 2 1/4"		
	TB-1	4 ea	#4	8'2"	5'11"	21.81 lbs	D= 3"		
						50.90 lbs			

2.5x5.0x08 Std HIGHWAY REBAR

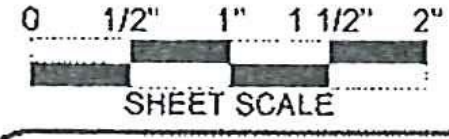
Unit Dims	Bar Mark	Qty	Size	Length	Dim "A"	Bar Weight	Bend Dia	Remarks	
H=2'6"	H-1	3 ea	#4	4'8"		9.35 lbs			
W=5'0"	V-1	16 ea	#3	2'2"		13.03 lbs			
S=8'4 1/2"	V-2	6 ea	#3	2'2"		4.89 lbs			
SH=2'6"	S-1	4 ea	#3	3'4 1/2"		5.08 lbs	D= 2 1/4"		
	TB-1	4 ea	#4	10'2"	7'11"	27.16 lbs	D= 3"		
						59.51 lbs			

2.5x5.0x10 Std HIGHWAY REBAR

Unit Dims	Bar Mark	Qty	Size	Length	Dim "A"	Bar Weight	Bend Dia	Remarks	
H=2'6"	H-1	3 ea	#4	4'8"		9.35 lbs			
W=5'0"	V-1	20 ea	#3	2'2"		16.29 lbs			
S=10'4 1/2"	V-2	6 ea	#3	2'2"		4.89 lbs			
SH=2'6"	S-1	4 ea	#3	3'4 1/2"		5.08 lbs	D= 2 1/4"		
	TB-1	4 ea	#4	12'2"	9'11"	32.50 lbs	D= 3"		
						68.11 lbs			

2.5x5.0x12 Std HIGHWAY REBAR

Unit Dims	Bar Mark	Qty	Size	Length	Dim "A"	Bar Weight	Bend Dia	Remarks	
H=2'6"	H-1	3 ea	#4	4'8"		9.35 lbs			
W=5'0"	V-1	24 ea	#3	2'2"		19.55 lbs			
S=12'4 1/2"	V-2	6 ea	#3	2'2"		4.89 lbs			
SH=2'6"	S-1	4 ea	#3	3'4 1/2"		5.08 lbs	D= 2 1/4"		
	TB-1	4 ea	#4	14'2"	11'11"	37.84 lbs	D= 3"		
						76.71 lbs			



The design contained on these drawings is based upon information provided by the owner. On the basis of this information, The Neel Company has designed, and is responsible for, the internal stability of the structure only. External stability, including foundation and slope stability, is the responsibility of the owner.

This drawing contains information proprietary to The Neel Company. T-WALL® is a registered trademark owned by The Neel Company ©2012 The Neel Company

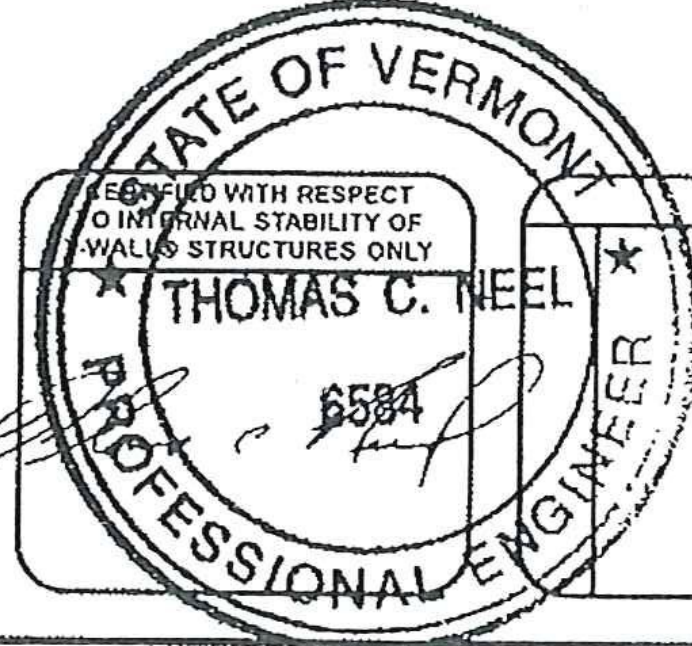
PRECASTER: CONCRETE SYSTEMS INC. HUDSON, NH
 PROJECT #: T21377

CONTRACTOR: J. A. MCDONALD INC. LYNDON CENTER, VERMONT
 PROJECT #:

DESIGNER

THE NEEL COMPANY
 8328-D TRAFORD LANE
 SPRINGFIELD, VIRGINIA 22152
 PH: (703) 913-7858
 FX: (703) 913-7859
 WEB: WWW.NEELCO.COM

PROJECT #: TW4083



REVISIONS

NO.	DESCRIPTION

RTE. 30 BRIDGE IMPROVEMENTS
BRIDGE NO. 98
 TOWN OF HUBBARDTON, VT
 ER STP 0161 (27)
 SHOP DRAWINGS
 STANDARD UNITS
 REBARS & DIMENSIONS
 T-WALL® RETAINING WALL SYSTEM

SCALE: 1" = 1'

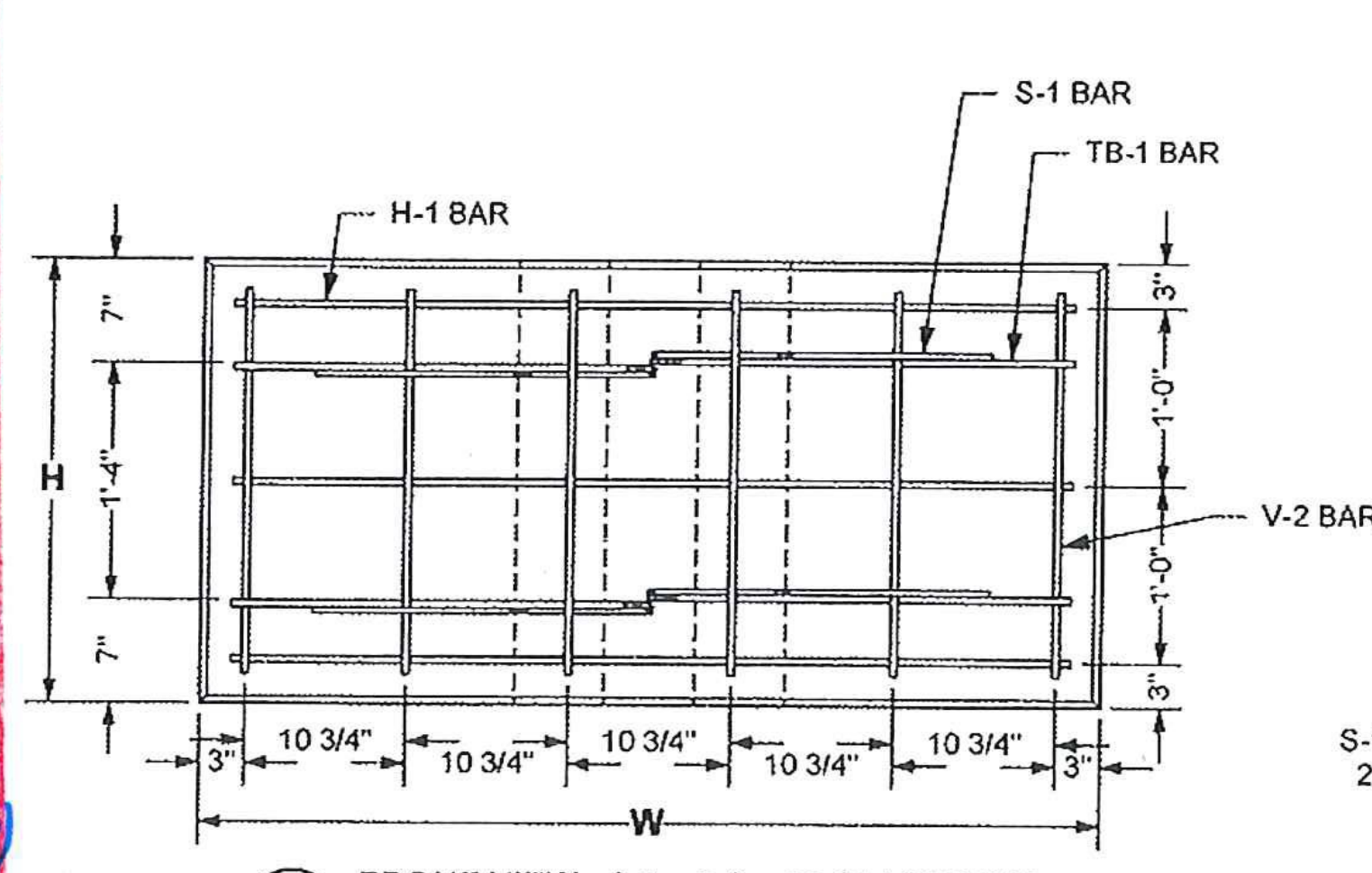
DATE: 9-25-2012

DESIGNED BY: NN

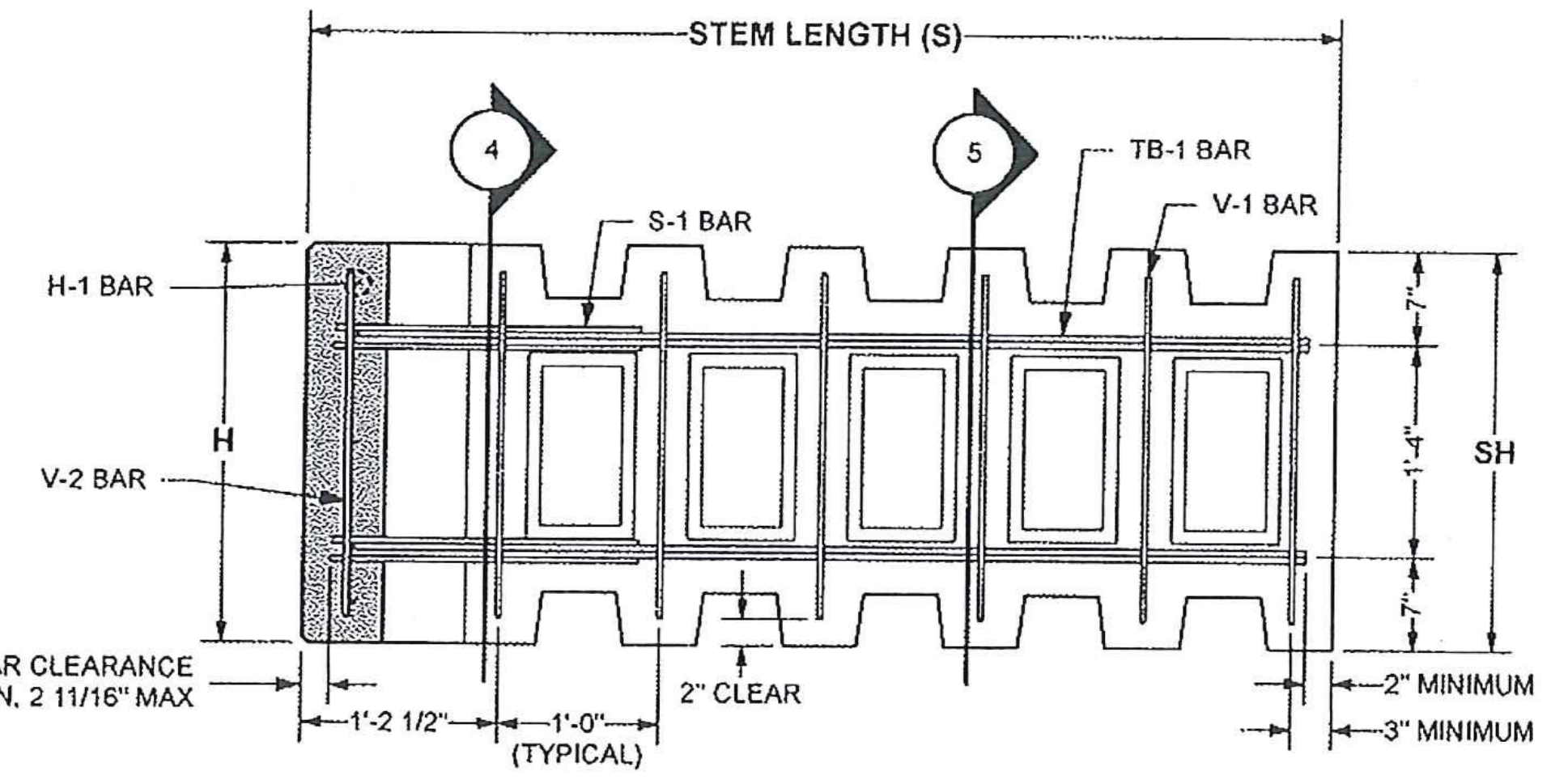
DRAWN BY: HS

CHECKED BY: NN

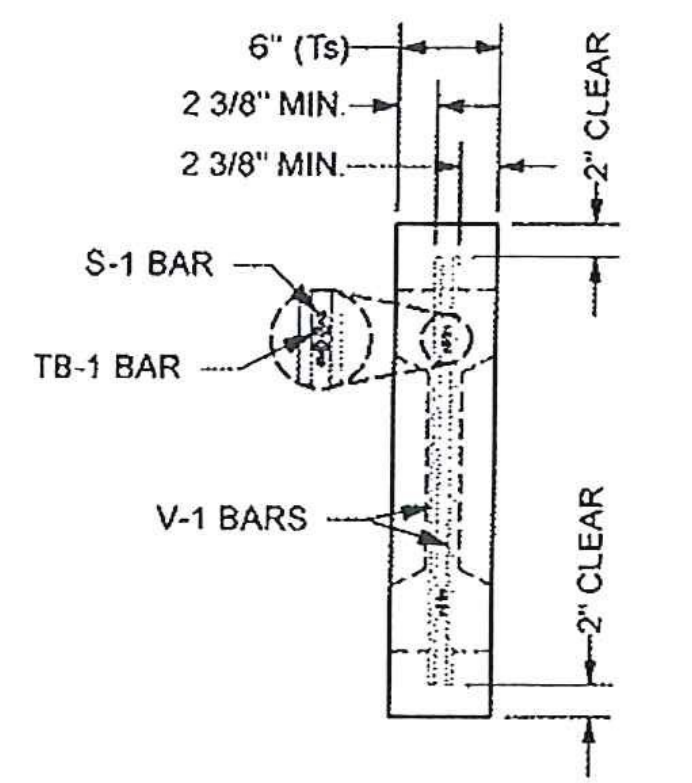
SHEET: 5



3 FRONT VIEW - 2.5 x 5.0 x 06 Std SHOWN
 Scale: 1" = 1'-0" (V-1 BARS IN STEM OMITTED FOR CLARITY)



2 SIDE VIEW - 2.5 x 5.0 x 06 Std SHOWN
 Scale: 1" = 1'-0"



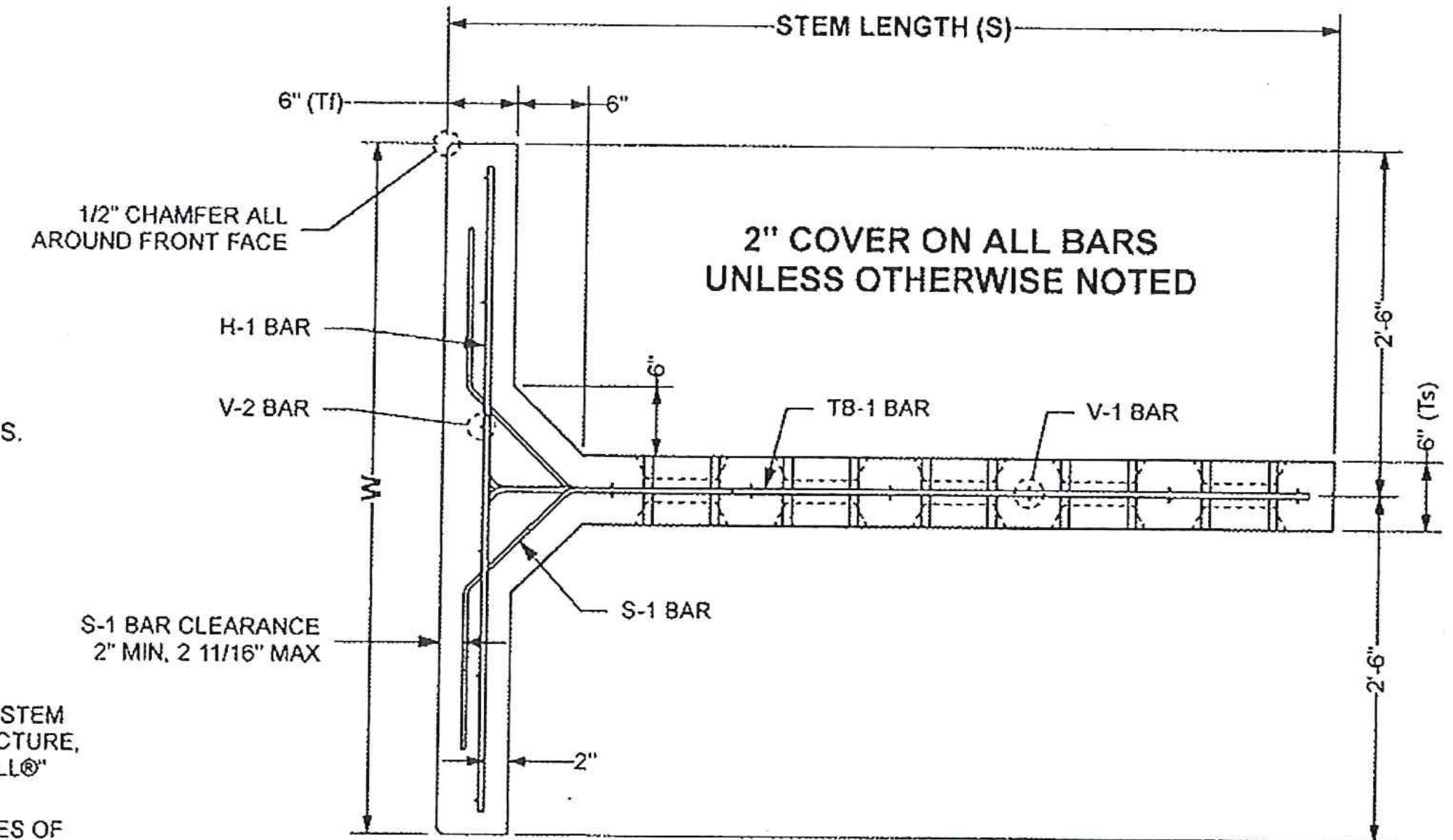
4 SECTION AT STEM
 Scale: 1" = 1'-0"

SPECIAL NOTES:

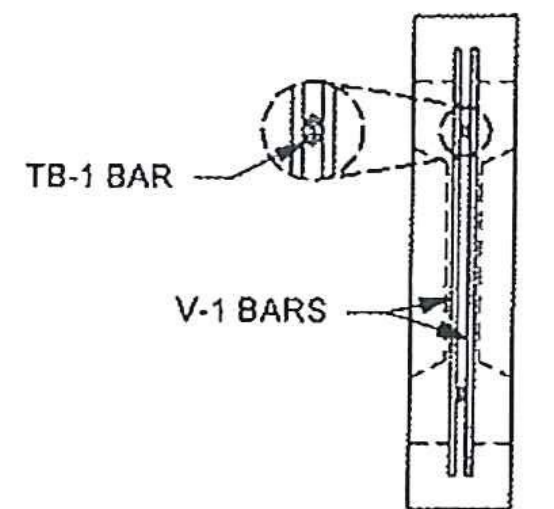
- FRONT FACE OF T-WALL® UNITS FINISH TREATMENT:
 - PLAIN STEEL FORM FINISH
 - 1/2" CHAMFER ALL AROUND FRONT FACE

GENERAL NOTES:

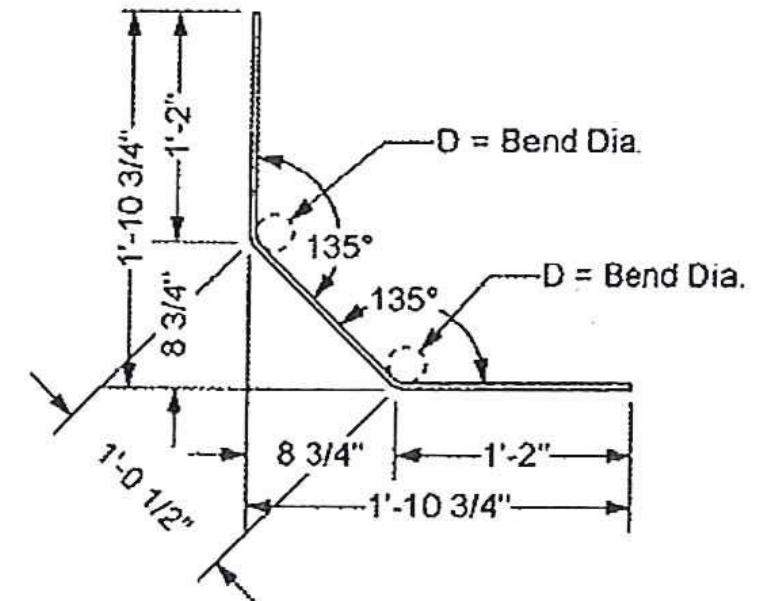
- PRIMARY REFERENCE:
 - 2010 AASHTO LRFD BRIDGE SPECIFICATIONS WITH INTERIMS.
- T-WALL® CONCRETE:
 - Fc = 5000 psi (MINIMUM) @ 28 DAYS
 - MINIMUM STRIPPING STRENGTH: 2500 psi
- T-WALL® REINFORCING STEEL:
 - ASTM A615 GRADE 60 EPOXY COATED
 - Fy = 60 ksi (GRADE 60)
 - WELDING IS NOT PERMITTED
- MARKING OF PRECAST UNITS:
 - CLEARLY MARK EACH PRECAST UNIT ON THE BUTT END OF THE STEM WITH THE UNIT TYPE (i.e. 2.5x5.0x06 STD), THE DATE OF MANUFACTURE, THE LOT NUMBER (IF APPLICABLE), AND THE TRADEMARK "T-WALL®"
- REINFORCING FABRICATION AND PLACEMENT TOLERANCES:
 - THE STRUCTURAL DESIGN OF PRECAST UNITS ASSUMES 2 INCHES OF CONCRETE COVER OVER ALL REINFORCING BARS.
 - UNLESS OTHERWISE NOTED IN CONTRACT DOCUMENTS OR REFERENCED SPECIFICATIONS, TOLERANCES ON CONCRETE COVER SHALL BE ± 3/8 INCHES.
 - UNLESS OTHERWISE NOTED IN CONTRACT DOCUMENTS OR REFERENCED SPECIFICATIONS, TOLERANCES ON BAR PLACEMENT SHALL BE:
 - VERTICAL LOCATION OF TB-1 BARS: ± 3/8 INCHES
 - LOCATION / SPACING OF H-1, V-1 & V-2 BARS: ± 1 INCH
 - REGARDLESS OF THE SPECIFIED PLACEMENT TOLERANCES, CONCRETE COVER SHALL BE MAINTAINED WITHIN ± 3/8 INCHES AS PREVIOUSLY NOTED.
 - ALL REINFORCING BARS SHALL BE CUT AND BENT FOLLOWING REQUIREMENTS OF THE CRSI MANUAL OF STANDARD PRACTICE.
 - UNLESS NOTED OTHERWISE, TOLERANCES FOR BAR FABRICATION SHALL MEET REQUIREMENTS OF STANDARD ACI 318 AND THE CRSI MANUAL OF STANDARD PRACTICE.



1 PLAN VIEW - 2.5 x 5.0 x 06 Std SHOWN
 Scale: 1" = 1'-0"



5 SECTION AT STEM
 Scale: 1" = 1'-0"



6 S-1 REBAR
 Scale: 1" = 1'-0"

7 TB-1 REBAR
 Scale: 1" = 1'-0"