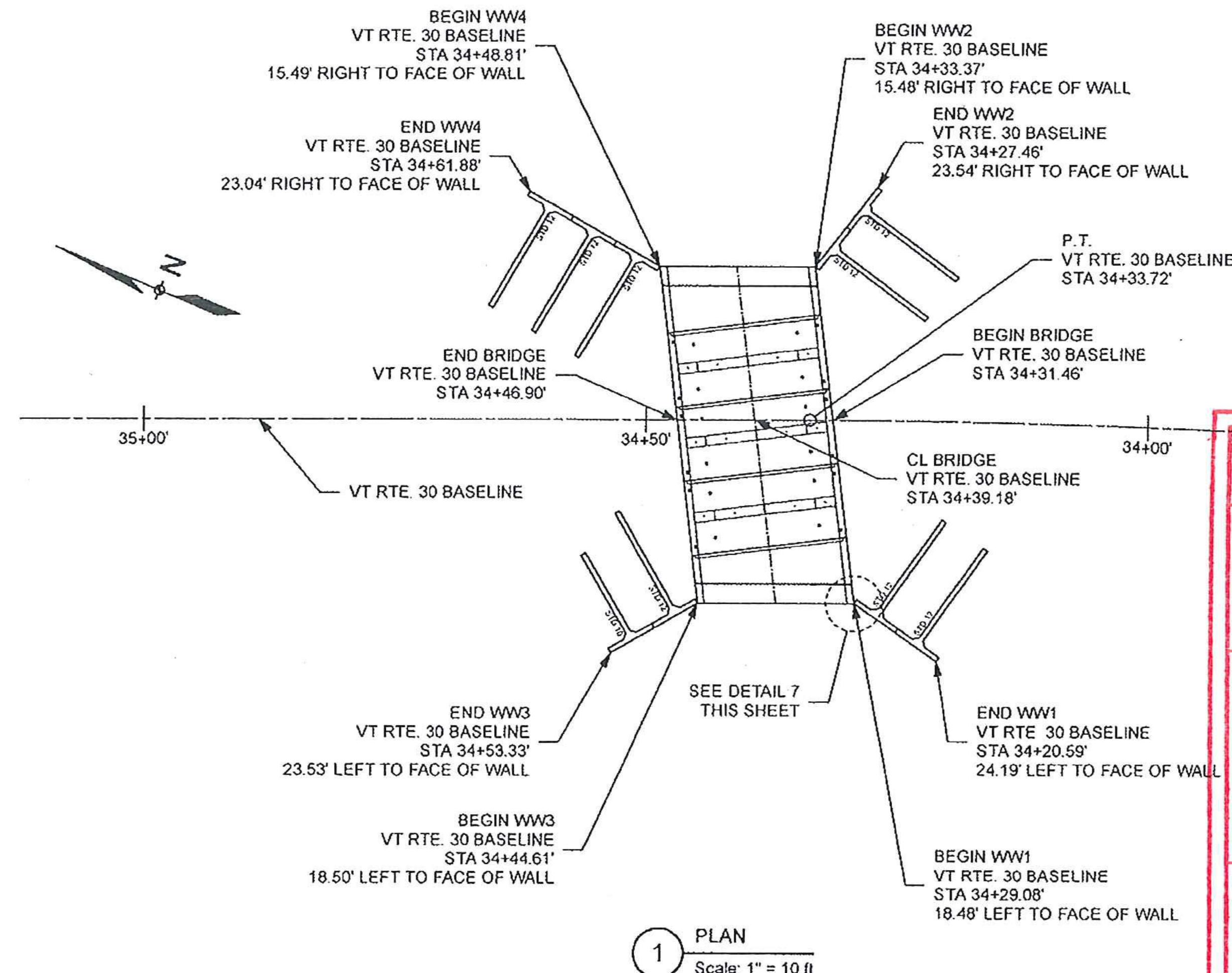
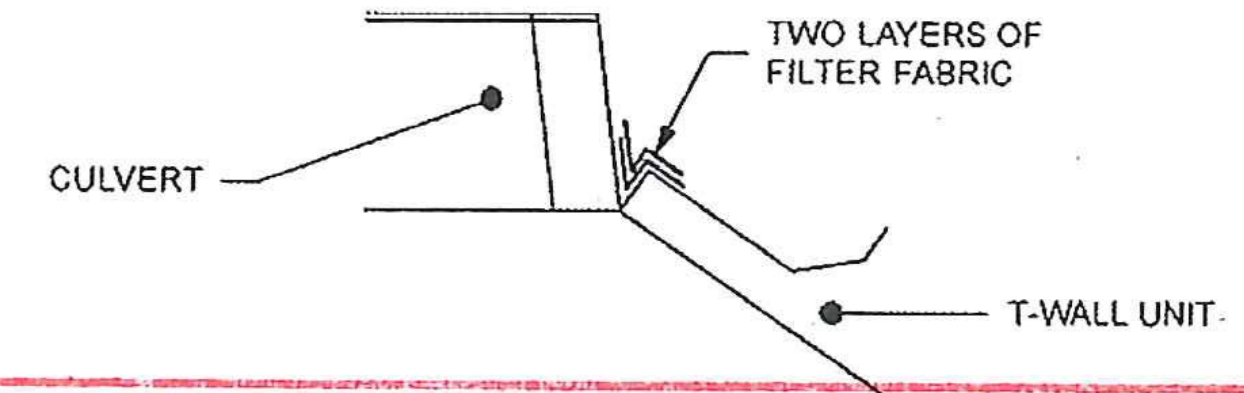


BORDER-TNC T-WALL HWY V4.1



1 PLAN  
Scale: 1" = 10 ft



**SHOP DRAWING REVIEW**  
INTERFACE DETAIL (TYP. ALL WALLS)

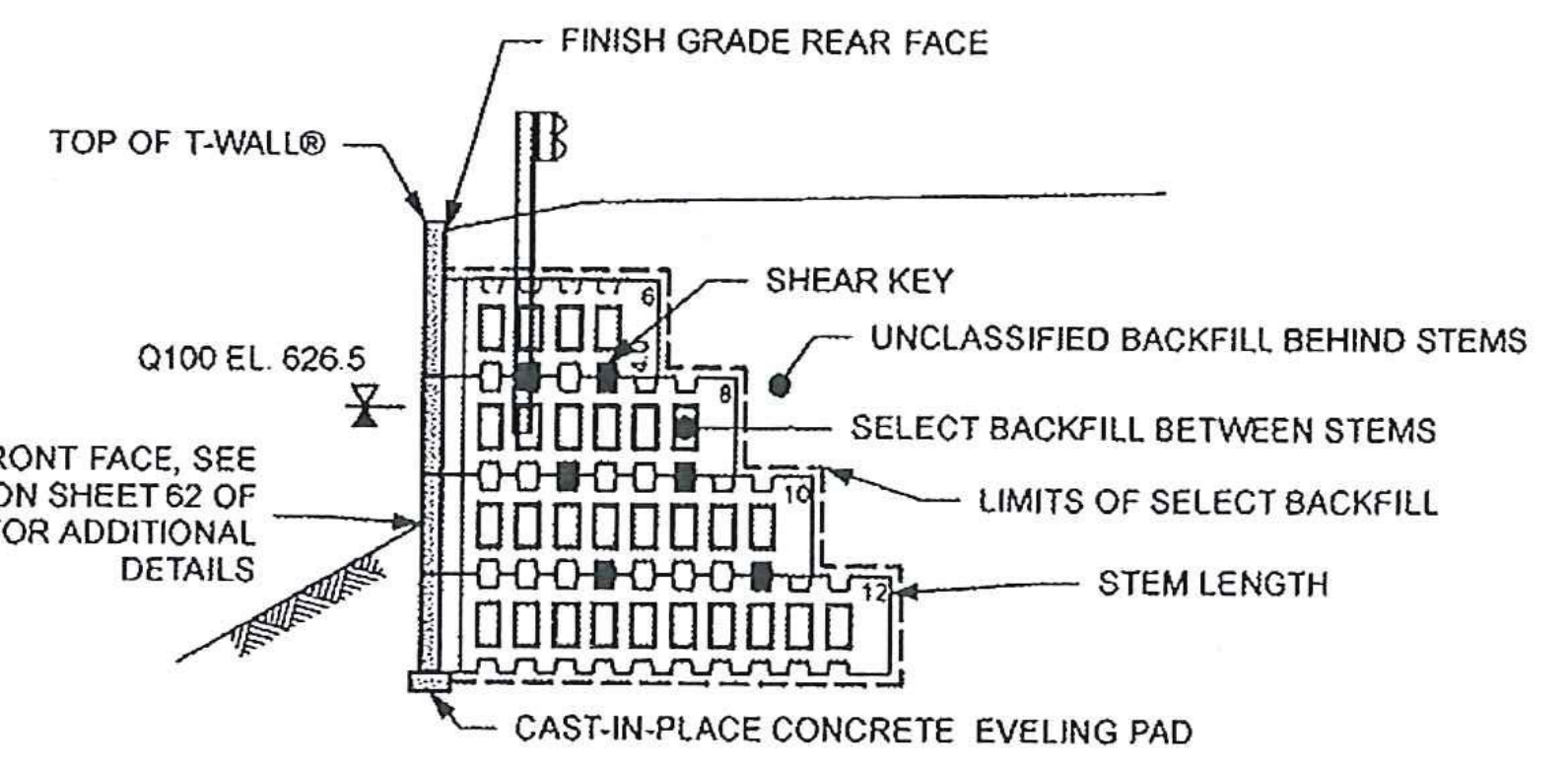
REVIEWED AS REQUIRED BY THE CONTRACT DOCUMENTS AND APPROVED, BUT ONLY FOR CONFORMANCE TO THE DESIGN CONCEPT OF THE WORK, AND SUBJECT TO FURTHER LIMITATIONS AND REQUIREMENTS CONTAINED IN THE CONSTRUCTION CONTRACT DOCUMENTS.

REJECTED  REVISE AND RESUBMIT  FURNISH AS CORRECTED

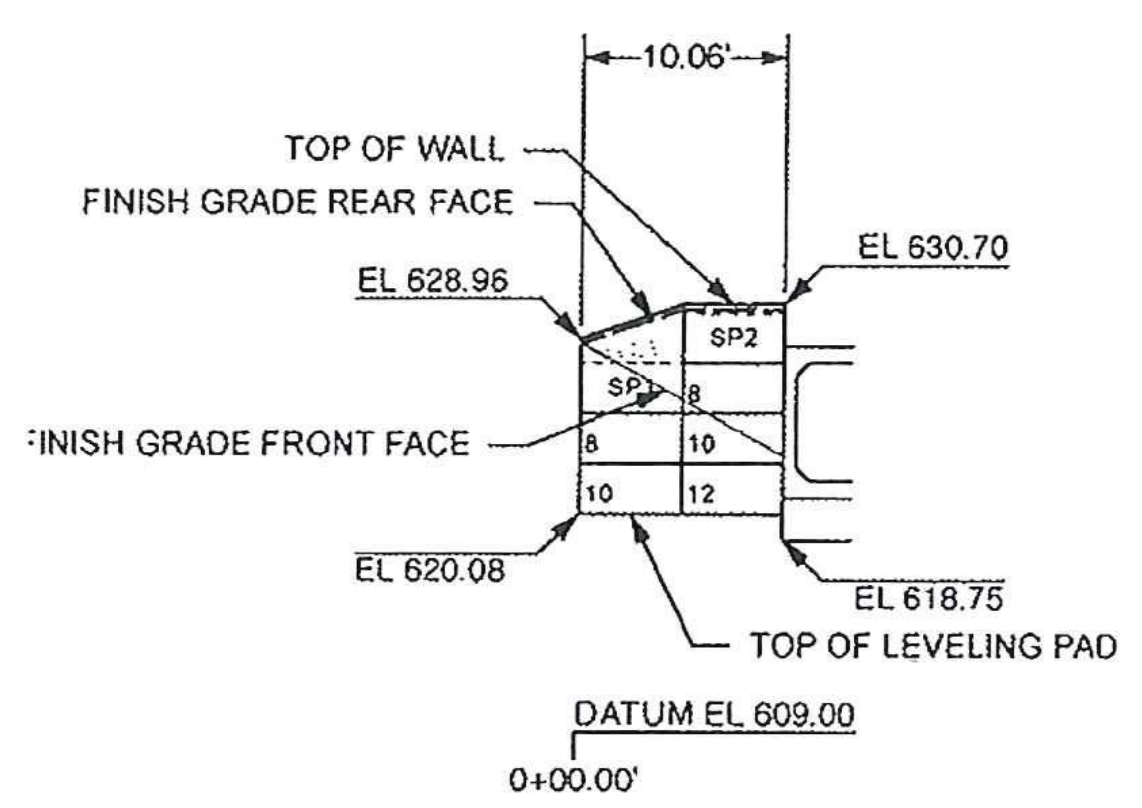
CORRECTIONS OR COMMENTS MADE ON THE SHOP DRAWINGS DURING THIS REVIEW DO NOT RELIEVE CONTRACTOR FROM COMPLIANCE WITH REQUIREMENTS OF THE DRAWINGS AND SPECIFICATIONS. THIS CHECK IS ONLY FOR REVIEW OF GENERAL CONFORMANCE WITH THE DESIGN CONCEPT OF THE PROJECT AND GENERAL COMPLIANCE WITH THE INFORMATION GIVEN IN THE CONTRACT DOCUMENTS. THE CONTRACTOR IS RESPONSIBLE FOR: CONFIRMING AND CORRELATING ALL QUANTITIES AND DIMENSIONS; SELECTING FABRICATION PROCESSES AND TECHNIQUES OF CONSTRUCTION; COORDINATING HIS WORK WITH THAT OF ALL OTHER TRADES; AND PERFORMING HIS WORK IN A SAFE AND SATISFACTORY MANNER.

**Vanasse Hangen Brustlin, Inc.**  
7056 US Route 7  
North Ferrisburgh, VT 05473  
802.425.7788

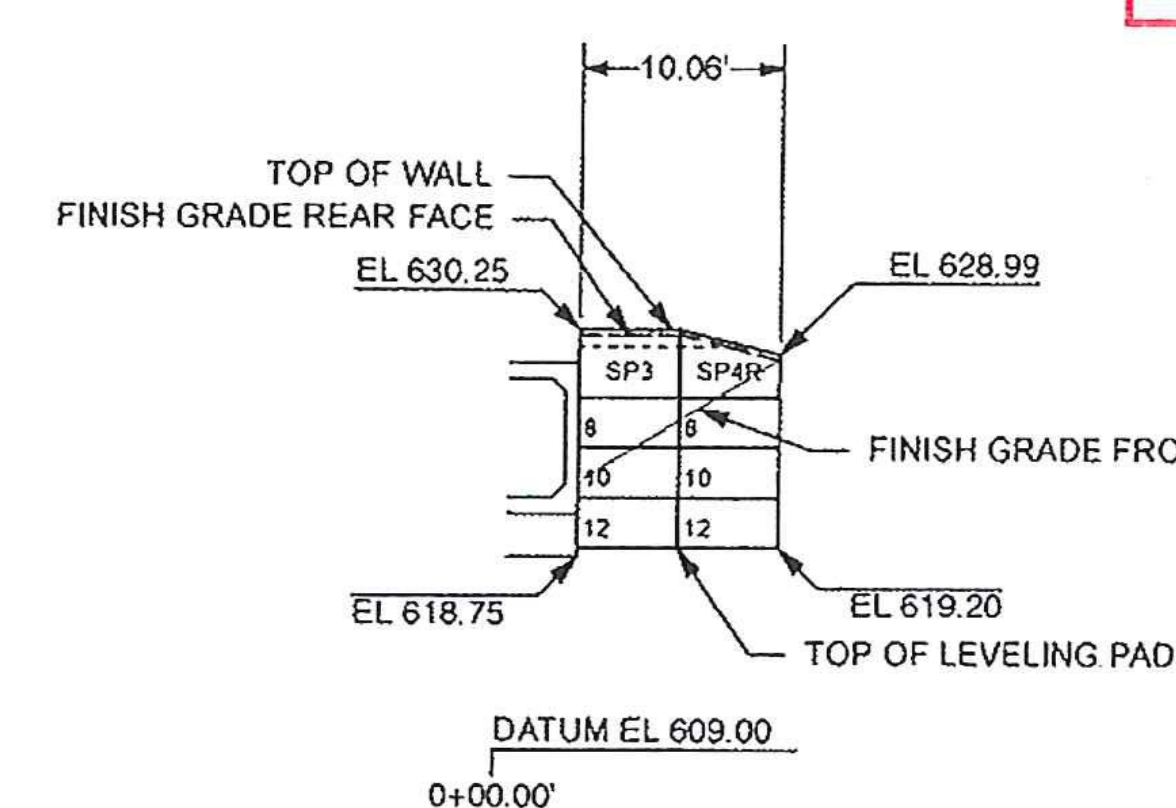
*HUBBARDTON*  
Job Number: ERSTP 0161 (27)  
Reviewed By: S. FARUSKOWITZ  
Date: 9-20-2012



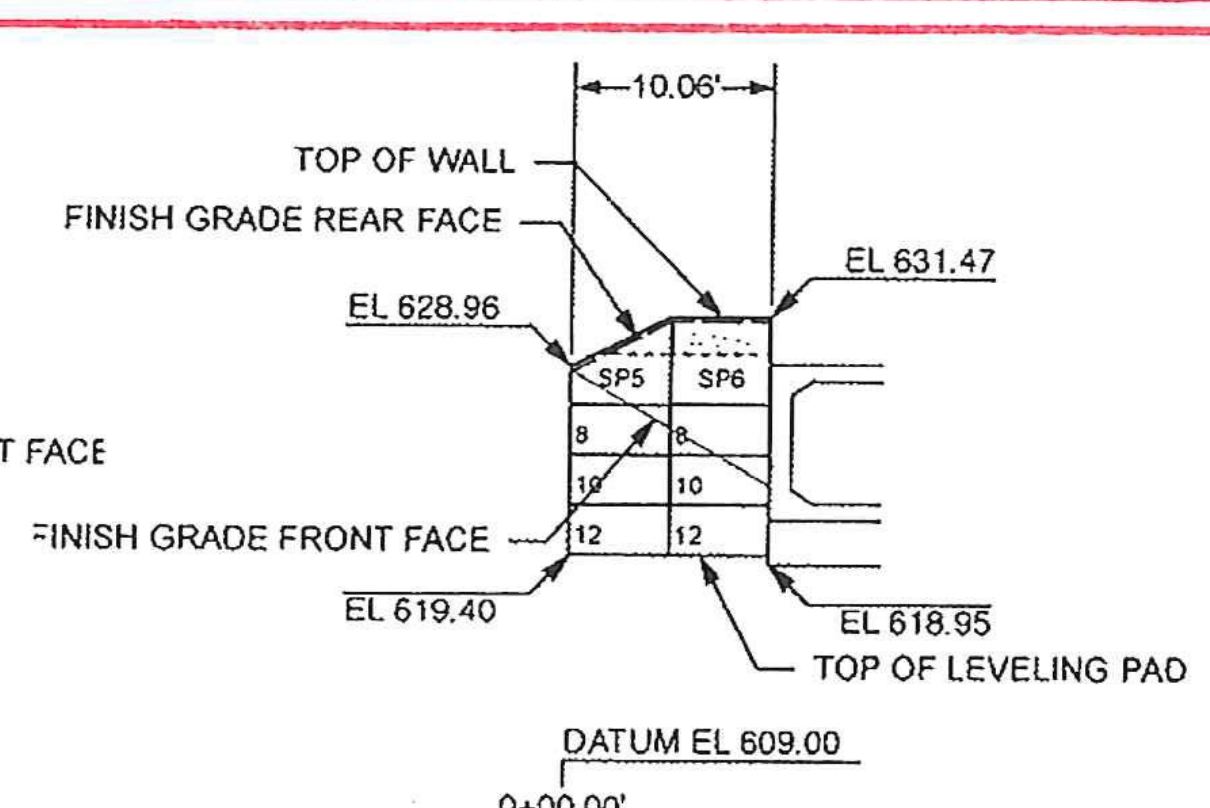
6 TYPICAL SECTION @ MAXIMUM HEIGHT  
Scale: 1" = 5 ft.



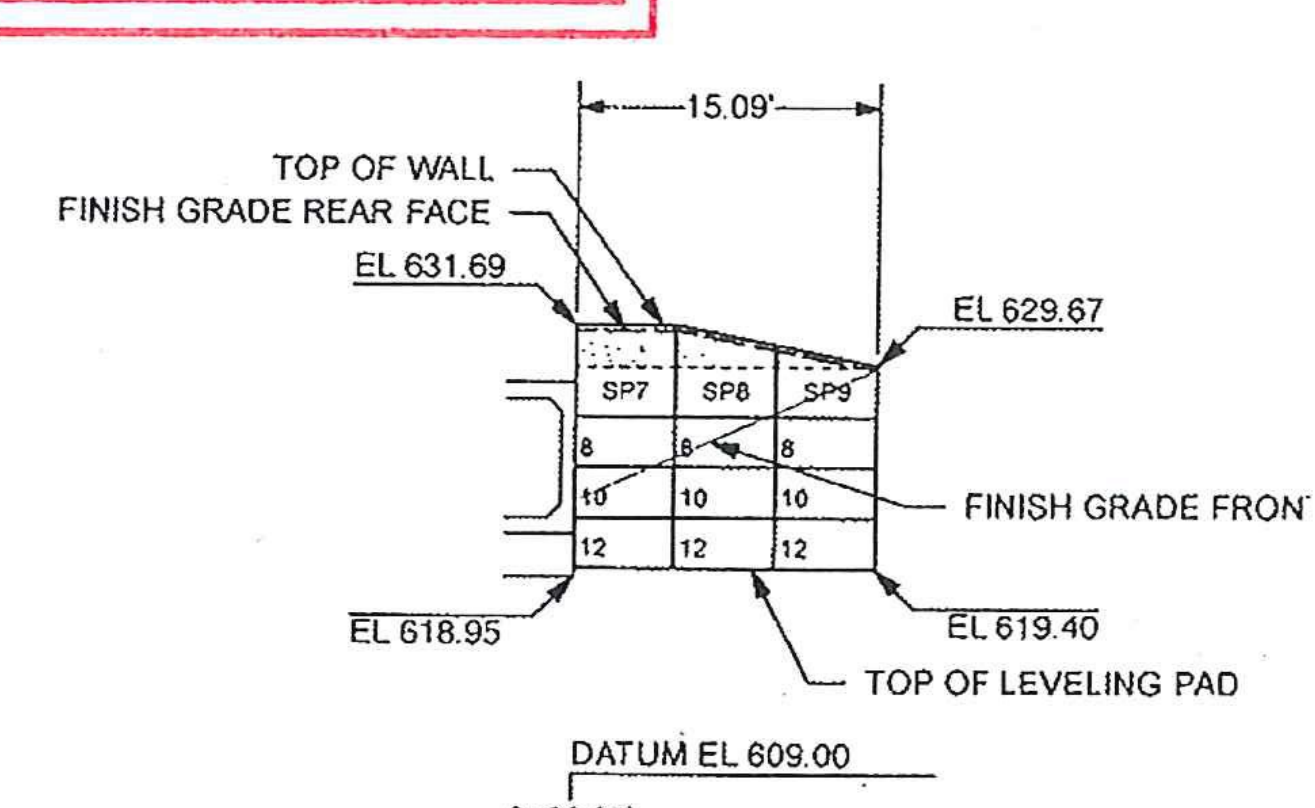
2 WW3 - ELEVATION (FRONT FACE)  
Scale: 1" = 10 ft



3 WW1 - ELEVATION (FRONT FACE)  
Scale: 1" = 10 ft



4 WW2 - ELEVATION (FRONT FACE)  
Scale: 1" = 10 ft



5 WW4 - ELEVATION (FRONT FACE)  
Scale: 1" = 10 ft

T-WALL Unit Count for WW3 9/25/12 11:48:24 AM

PANEL TYPE	QNTY (ea)	AREA (sf)	SELECT FILL (cy)
2.5 x 5.0 x 08 Std	2	25.00	6
2.5 x 5.0 x 10 Std	2	25.00	8
2.5 x 5.0 x 12 Std	1	12.50	5
Special Units	2	38.36	5
<b>TOTALS:</b>	<b>7 ea</b>	<b>100.86 sf</b>	<b>24 cy</b>

T-WALL Unit Count for WW1 9/25/12 11:48:52 AM

PANEL TYPE	QNTY (ea)	AREA (sf)	SELECT FILL (cy)
2.5 x 5.0 x 08 Std	2	25.00	6
2.5 x 5.0 x 10 Std	2	25.00	8
2.5 x 5.0 x 12 Std	2	25.00	10
Special Units	2	31.05	4
<b>TOTALS:</b>	<b>8 ea</b>	<b>106.05 sf</b>	<b>29 cy</b>

T-WALL Unit Count for WW2 9/25/12 11:54:09 AM

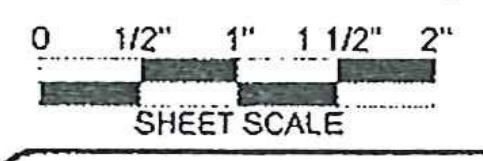
PANEL TYPE	QNTY (ea)	AREA (sf)	SELECT FILL (cy)
2.5 x 5.0 x 08 Std	2	25.00	6
2.5 x 5.0 x 10 Std	2	25.00	8
2.5 x 5.0 x 12 Std	2	25.00	10
Special Units	2	38.20	5
<b>TOTALS:</b>	<b>8 ea</b>	<b>113.20 sf</b>	<b>29 cy</b>

T-WALL Unit Count for WW4 9/25/12 12:01:15 PM

PANEL TYPE	QNTY (ea)	AREA (sf)	SELECT FILL (cy)
2.5 x 5.0 x 08 Std	3	37.50	10
2.5 x 5.0 x 10 Std	3	37.50	12
2.5 x 5.0 x 12 Std	3	37.50	15
Special Units	3	59.95	7
<b>TOTALS:</b>	<b>12 ea</b>	<b>172.45 sf</b>	<b>43 cy</b>

SHIP LOOSE LIST

ITEM	QNTY
Shear Keys	57 ea.
AF250 Polyethylene Foam*	0.91 Rolls
1/2" x 4" x 5.00' Horizontal Joint Material**	135.00 LF
Filter Cloth (12" wide)***	68.62 LF



The design contained on these drawings is based upon information provided by the owner. On the basis of this information, The Neel Company has designed, and is responsible for, the internal stability of the structure only. External stability, including foundation and slope stability, is the responsibility of the owner.

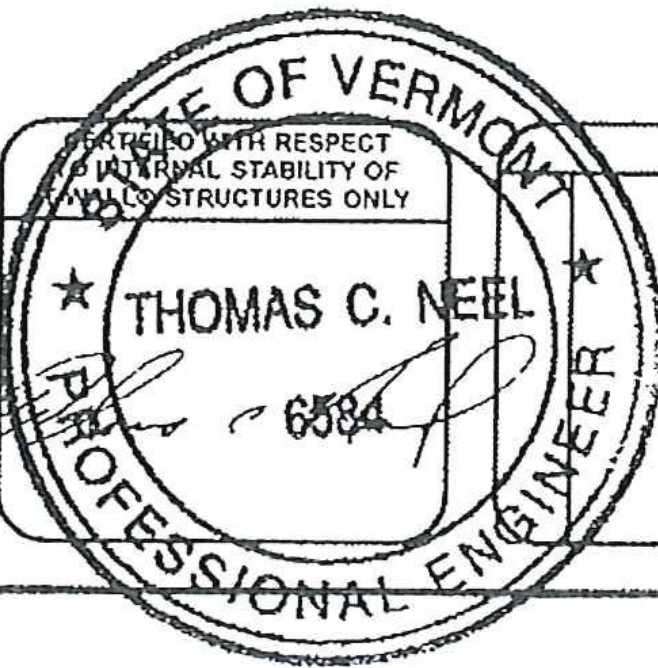
This drawing contains information proprietary to The Neel Company. T-WALL® is a registered trademark owned by The Neel Company. ©2012 The Neel Company

PRECASTER: CONCRETE SYSTEMS INC.  
HUDSON, NH  
PROJECT #: T21377

CONTRACTOR: J. A. McDONALD INC.  
LYNDON CENTER, VERMONT  
PROJECT #:

DESIGNER  
**THE NEEL COMPANY**  
8328-D TRAFORD LANE  
SPRINGFIELD, VIRGINIA 22152  
PH: (703) 913-7858  
FX: (703) 913-7859  
WEB: WWW.NEELCO.COM

PROJECT #: TW4083



REVISIONS

NO.	DESCRIPTION

RTE. 30 BRIDGE IMPROVEMENTS  
BRIDGE NO. 98  
TOWN OF HUBBARDTON, VT  
ER STP 0161 (27)  
SHOP DRAWINGS  
PLAN, ELEVATIONS, SECTION & QUANTITIES  
T-WALL® RETAINING WALL SYSTEM

SCALE: AS NOTED

DATE: 9-25-2012

DESIGNED BY: NN

DRAWN BY: HS

CHECKED BY: NN

SHEET: 4

USER NAME: N/A  
VECTORWORKS 2011  
PLOT DATE & TIME: Tuesday, September 25, 2012 4:15:20 PM  
CAD FILE NAME: 03 WALLS.vwk  
VW SHEET NAME: TW3