

RTE. 30 BRIDGE IMPROVEMENTS BRIDGE NO. 98 TOWN OF HUBBARDTON, VT ER STP 0161 (27)

T-WALL® RETAINING WALL SYSTEM

SHOP DRAWING REVIEW

- REVIEWED AS REQUIRED BY THE CONSTRUCTION CONTRACT DOCUMENTS AND APPROVED, BUT ONLY FOR CONFORMANCE TO THE DESIGN CONCEPT OF THE WORK, AND SUBJECT TO FURTHER LIMITATIONS AND REQUIREMENTS CONTAINED IN THE CONSTRUCTION CONTRACT DOCUMENTS.
- REJECTED REVISE AND RESUBMIT FURNISH AS CORRECTED

CORRECTIONS OR COMMENTS MADE ON THE SHOP DRAWINGS DURING THIS REVIEW DO NOT RELIEVE CONTRACTOR FROM COMPLIANCE WITH REQUIREMENTS OF THE DRAWINGS AND SPECIFICATIONS. THIS CHECK IS ONLY FOR REVIEW OF GENERAL CONFORMANCE WITH THE DESIGN CONCEPT OF THE PROJECT AND GENERAL COMPLIANCE WITH THE INFORMATION GIVEN IN THE CONTRACT DOCUMENTS. THE CONTRACTOR IS RESPONSIBLE FOR: CONFIRMING AND CORRELATING ALL QUANTITIES AND DIMENSIONS; SELECTING FABRICATION PROCESSES AND TECHNIQUES OF CONSTRUCTION; COORDINATING HIS WORK WITH THAT OF ALL OTHER TRADES; AND PERFORMING HIS WORK IN A SAFE AND SATISFACTORY MANNER.

VHB **Vanasse Hangen Brustlin, Inc.**
7056 US Route 7
North Ferrisburgh, VT 05473
802.425.7788

HUBBARDTON
Job Number: **ER STP 0161 (27)**
Reviewed By: **S. FARNSWORTHY**
Date: **9-28-2012**

DESIGNER

THE NEEL COMPANY
8328-D TRAFORD LANE
SPRINGFIELD, VIRGINIA 22152
PH: (703) 913-7858
FX: (703) 913-7859
WEB: WWW.NEELCO.COM

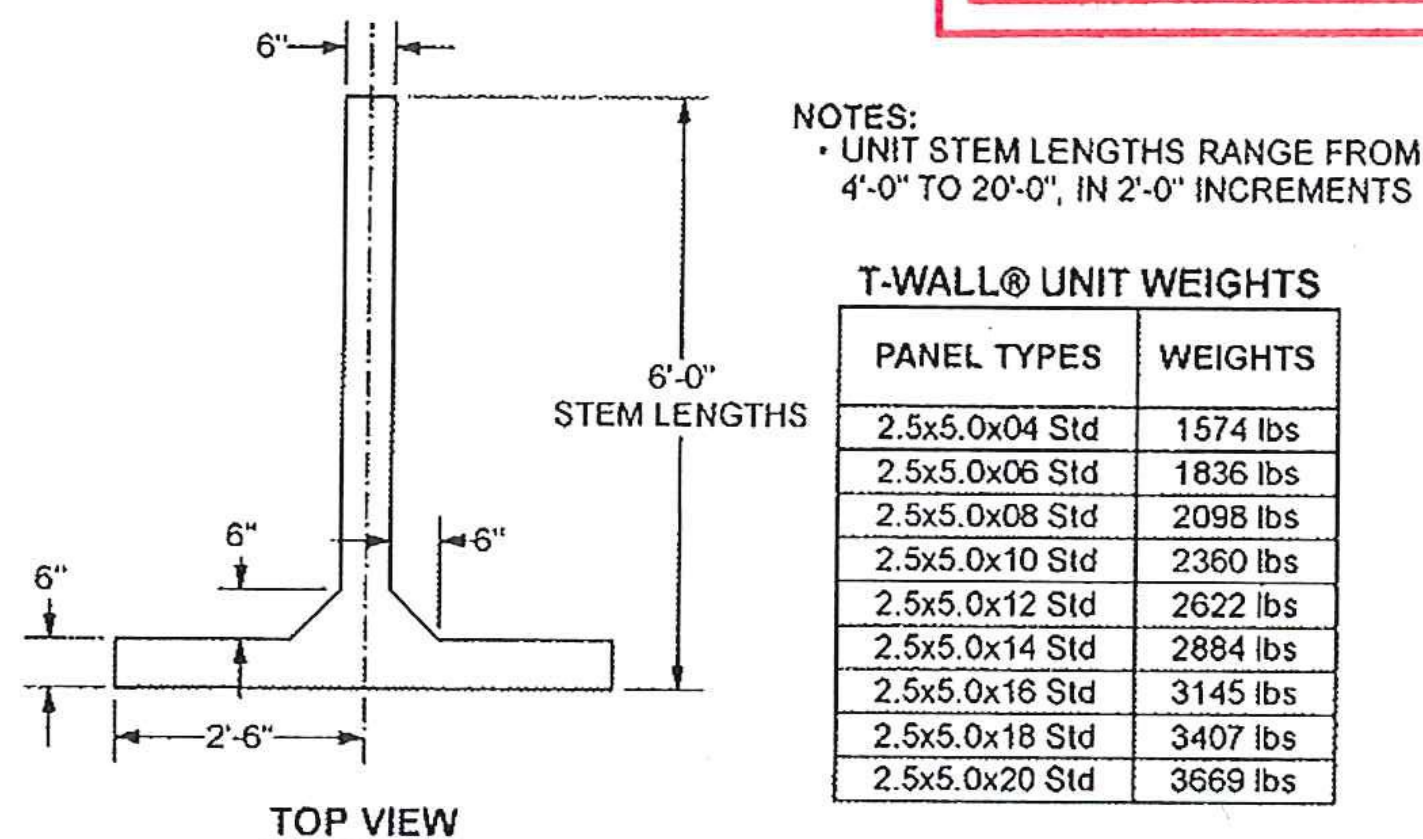
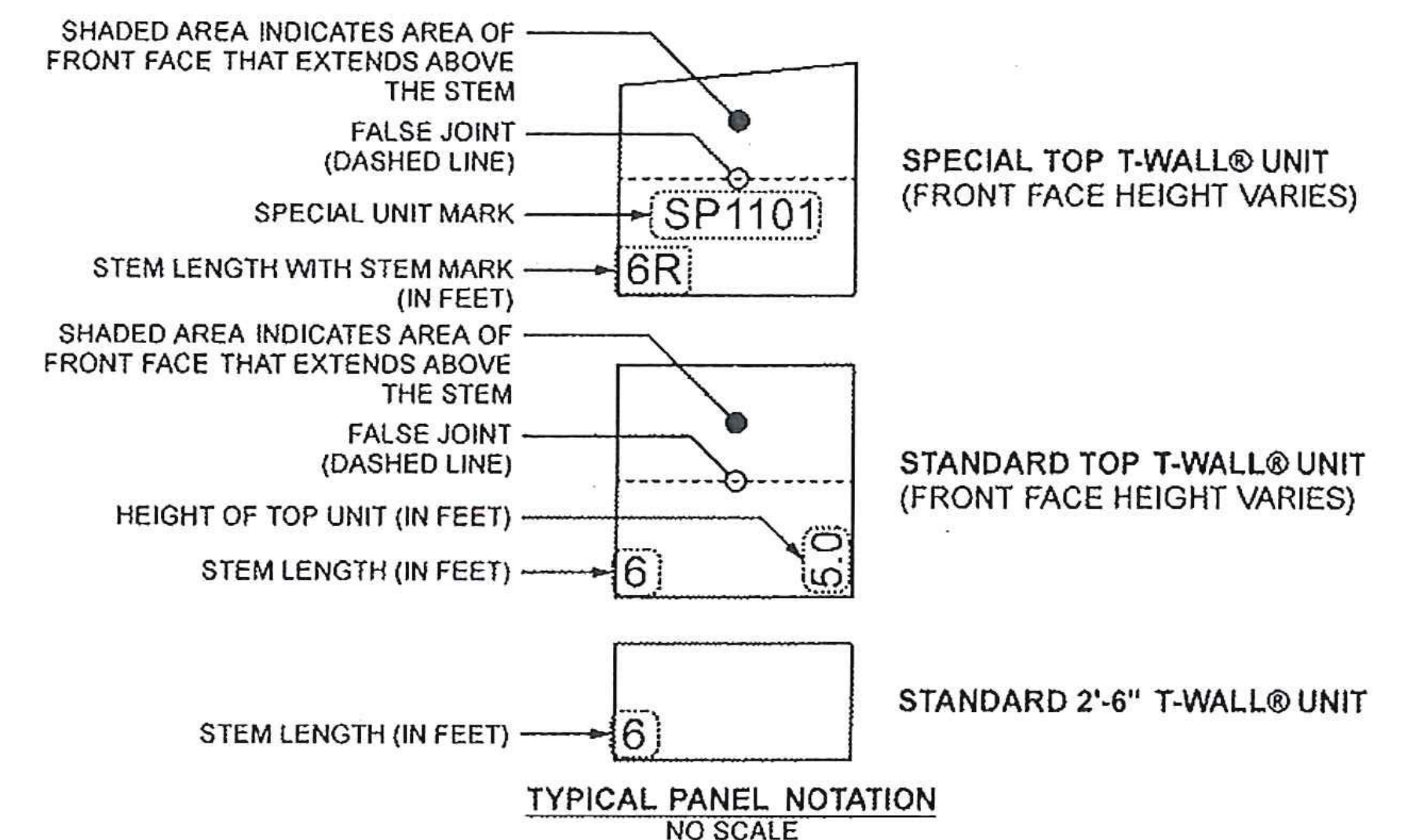
PRECASTER

CSI
Concrete Systems Inc.
9 Commercial St., Hudson, NH, 03051
Phone 603-889-4163
Fax 603-889-2417
Web www.csigroup.biz

INDEX OF DRAWINGS

SHEET	TITLE	REV	DATE
1	COVER SHEET		9-25-2012
2	T-WALL® NOMENCLATURE AND TYPICAL SYSTEM DETAILS		9-25-2012
3	GENERAL T-WALL® NOTES		9-25-2012
4	PLAN, ELEVATIONS, SECTION & QUANTITIES		9-25-2012
5	STANDARD UNITS		9-25-2012
6	SLOPED TOP SPECIAL UNITS		9-25-2012
7	SLOPED TOP REDUCED HEIGHT STEM SPECIAL UNITS		9-25-2012

LEGEND

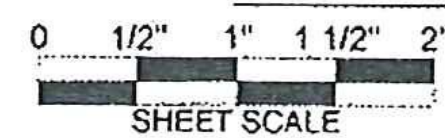


TOP VIEW

FRONT VIEW

SIDE VIEW

TYPICAL 2'-6" x 5'-0" x 6'-0" STEM T-WALL® UNIT



The design contained on these drawings is based upon information provided by the owner. On the basis of this information, The Neel Company has designed, and is responsible for, the internal stability of the structure only. External stability, including foundation and slope stability, is the responsibility of the owner.

This drawing contains information proprietary to The Neel Company. T-WALL® is a registered trademark owned by The Neel Company. ©2012 The Neel Company

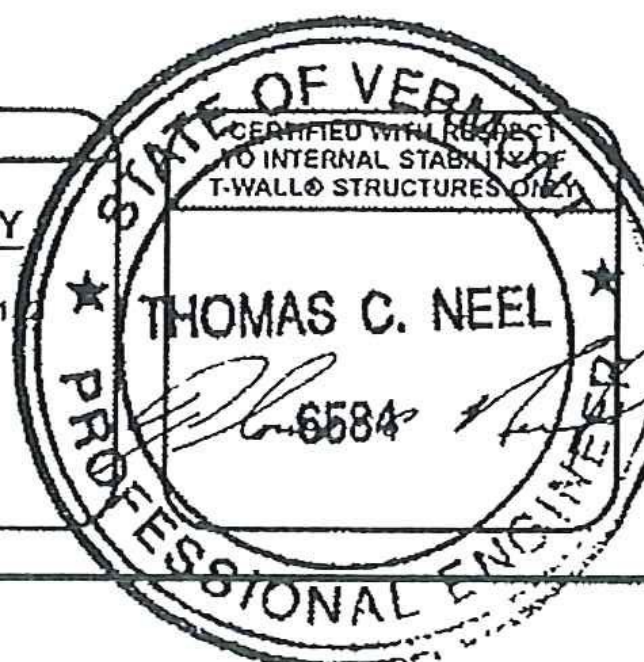
PRECASTER: CONCRETE SYSTEMS INC.
HUDSON, NH
PROJECT #: T21377

CONTRACTOR: J. A. McDONALD INC.
LYNDON CENTER, VERMONT
PROJECT #:

DESIGNER

THE NEEL COMPANY
8328-D TRAFORD LANE
SPRINGFIELD, VIRGINIA 22152
PH: (703) 913-7858
FX: (703) 913-7859
WEB: WWW.NEELCO.COM

PROJECT #: TW4083



REVISIONS

NO.	DESCRIPTION

**RTE. 30 BRIDGE IMPROVEMENTS
BRIDGE NO. 98
TOWN OF HUBBARDTON, VT
ER STP 0161 (27)
SHOP DRAWINGS
COVER SHEET**

T-WALL® RETAINING WALL SYSTEM

SCALE:	NO SCALE
DATE:	9-25-2012
DESIGNED BY:	NN
DRAWN BY:	HS
CHECKED BY:	NN
SHEET:	1